



## Table of Contents

| Section                                  | Page |
|--|------|
| Notes to Designer/User . . . . .         | 2-3  |
| Map of Typical Roof Conditions . . . . . | 4    |
| Fastener Placement . . . . .             | 5    |
| Fastener Selection . . . . .             | 6    |
| Ridge/Hip Flashing. . . . .              | 7    |
| Valley Flashing. . . . .                 | 8    |
| Eave Flashings . . . . .                 | 9    |
| Gable Flashings . . . . .                | 10   |
| Peak Flashing . . . . .                  | 11   |
| Sidewall Flashings . . . . .             | 12   |
| Endwall Flashing . . . . .               | 13   |
| Wall Details • Base Trim. . . . .        | 14   |
| Wall Details • “C” Trim . . . . .        | 15   |
| Wall Details • Inside Corner. . . . .    | 16   |
| Wall Details • Outside Corner . . . . .  | 17   |

## Notes to the Designer/User

The details contained in this packet are intended to be a design aid and do not depict all situations. Modifications are the responsibility of the designer/user and should take into account climate conditions such as wind and snow, governing code requirements, and the actual usage and maintenance of the structure. Where possible, roof panel side laps and flashings should be lapped away from prevailing winds. Certain flashings should be supported if it is likely that a ladder will be used against them or if foot traffic is anticipated. Check with ASC Building Products any time you intend to specify a prefinished flashing in a gauge different than the panels. It is good practice to specify that all flashings be of the same material as the panels (gauge, color, finish) to ensure long-term durability. Field-painted flashings rarely equal the durability and color fastness of factory baked-on paint systems. Where possible, we have hemmed the edges of flashings to strengthen them and to minimize the exposure of cut edges.

**Framing-** The details contained in this guide are shown with panels attached to spaced support members.

**Slope requirements-** It is suggested that all Country Rustic Corrugated be used on a 3:12 minimum slope.

**Condensation, Insulation & Ventilation-** It is the designer's responsibility to determine the need and composition of condensation control materials including insulation and vapor retarders, as well as ventilation requirements. Metal roofing is susceptible to condensation and its control should be carefully considered.

**Valleys-** Valley dimensions must be the proper width to account for slope, snow, ice, and rain conditions. If valleys are not kept free of debris, water can back up and intrusion may occur under the panels.

**Snow Design-** If possible, valleys, gutters, roof elevation changes and penetrations should be minimized or

eliminated in snow areas. Roof penetrations should be located as close to the ridge or peak of the roof as possible to minimize accumulations of ice and snow.

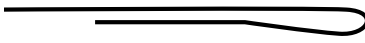

**Oil-Canning-** Flat metal surfaces will display waviness commonly referred to as "oil-canning". This is caused by steel mill tolerances, variations in the substrate and roofing underlayments. Oil canning is a characteristic, not a defect, of panels manufactured from light-gauge metal. Coils are factory "corrective-levelled" prior to rollforming to minimize oil canning. Oil canning is not a cause for panel rejection. Additional information is available upon request.

**References-** The Sheet Metal and Air Conditioning Contractors' National Association Inc. (SMACNA) manual is an excellent reference for sheet metal contractors. Its guidelines for underlayments, gutter and downspout size requirements, and expansion/contraction of metals and flashings joints should be followed.

**Technical Assistance-** Call your ASC Building Products Sales Representative for additional information on any of these subjects.

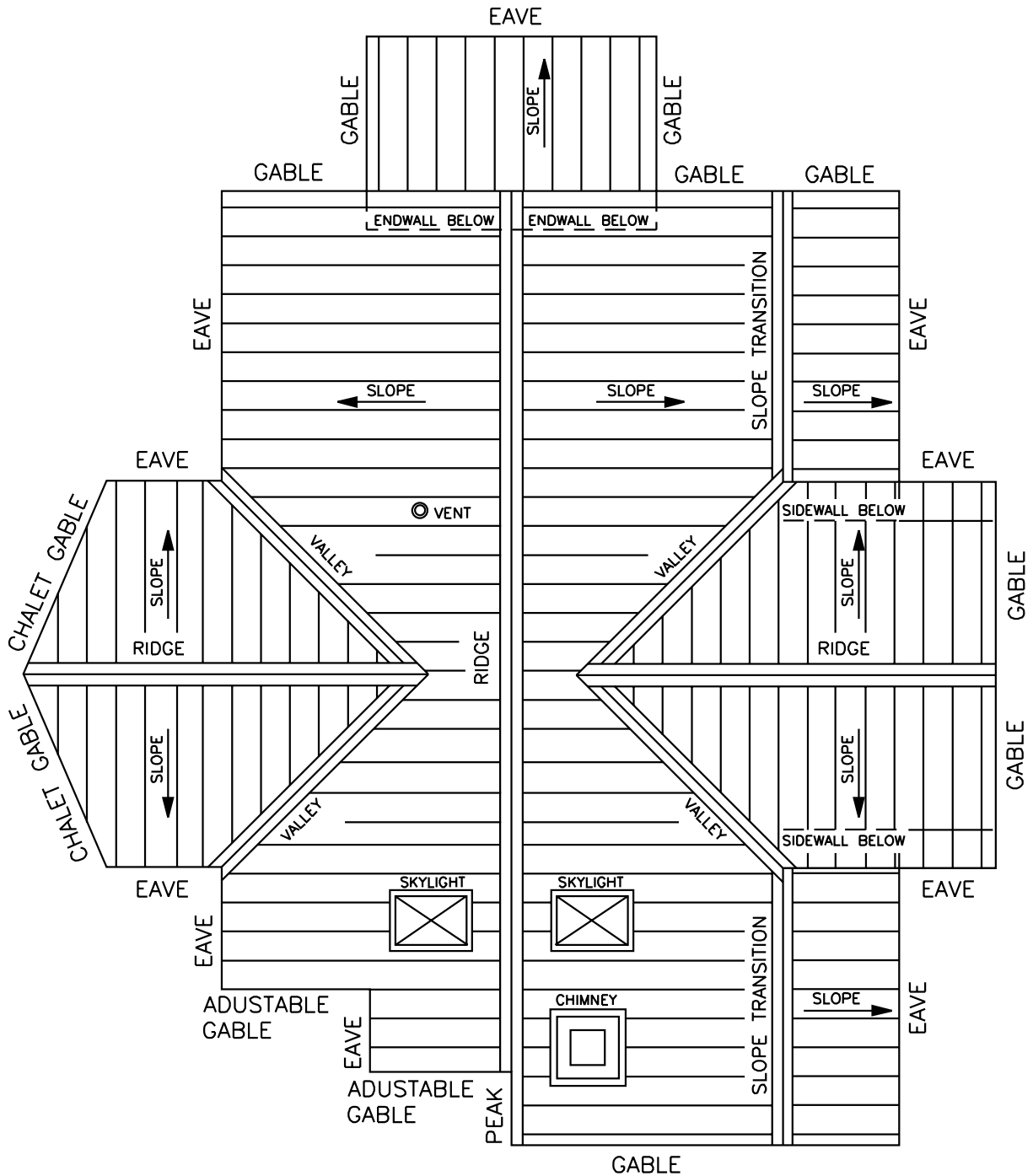
## Notes to the Designer/User *continued*

### Definitions-

- Sealant: Gunnable-grade single-component polyurethane
- Mastic: Butyl mastic tape or butyl rubber
- Hem: A 180° bend that is closed (or as closed as the formability of the metal will allow) to provide a uniform, attractive edge. High tensile strength (Grade 80) steel must be formed with a “teardrop hem” as shown to avoid cracking the steel at the bend. Lower tensile steels can be flattened close.  

- Hook: (also called an “open hem”) A 180° bend on a piece of sheet metal that is left open to allow insertion of another piece of sheet metal. For example, the hook shown is used to hold the trim piece to a cleat below the trim.  

- Country Rustic Corrugated is made from 33 grade, 26 gauge steel.

*Each flashing part in this guide has been assigned a part number. Each part number contains one or two letters followed by one or two numbers, for example: (EW6). These part numbers have been provided for you to make ordering these flashing parts quick and easy.*

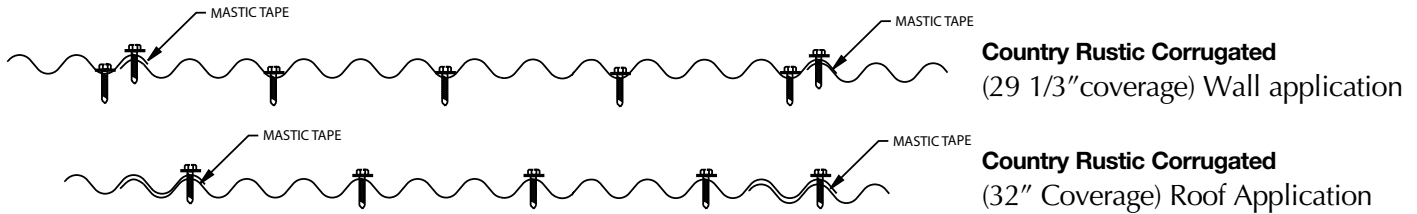
## Map of Typical Roof Conditions



For suggestions on how to trim flashings in the different areas, please refer to the following pages:


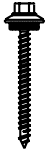




| <b>Flashing</b> | <b>Page(s)</b> | <b>Flashing</b> | <b>Page(s)</b> |
|-----------------|----------------|-----------------|----------------|
| Eave .....      | 9              | Peak .....      | 11             |
| Endwall .....   | 13             | Ridge/Hip ..... | 7              |
| Gable .....     | 10             | Sidewall .....  | 12             |
|                 |                | Valley .....    | 8              |

## Fastener Placement



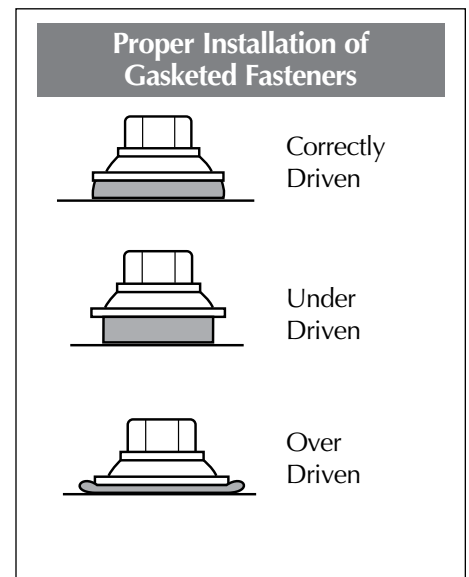
**Note:** Lap panels away from prevailing weather. Use only those accessories specifically designed for use with this product. Use only galvanized or Zinalume<sup>®</sup>-coated fasteners. Isolate roofing and flashings from contact with dissimilar metals. Fastener selection will vary based upon substrate. The use of butyl mastic tape along the sidelaps, as shown above, is always recommended for roof panels. Space lap screws @ 18" o.c. maximum.

## Fastener Selection

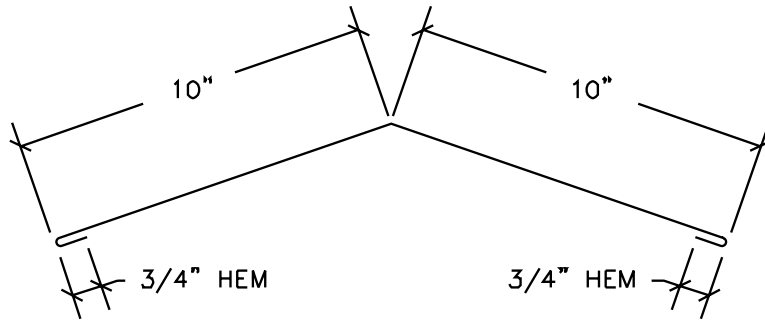
| Fastener #  | Description   | Use   |
|---|---|---|
|  |  #9 x 1" Wood Screw<br>1/4" Hex Head   | Panel to Dimensional Lumber                                 |
|  |  #14 x 1", 2" Wood Screw<br>5/16" Hex Head                                   | Panel to Plywood<br>Minimum 1/2" thick,<br>structural grade |
|  |  #12 x 3/4" Stitch Screw<br>1/4" Hex Head (compatible with<br>#9 wood screw) | Trim and side lap<br>attachments                            |

**Notes:**

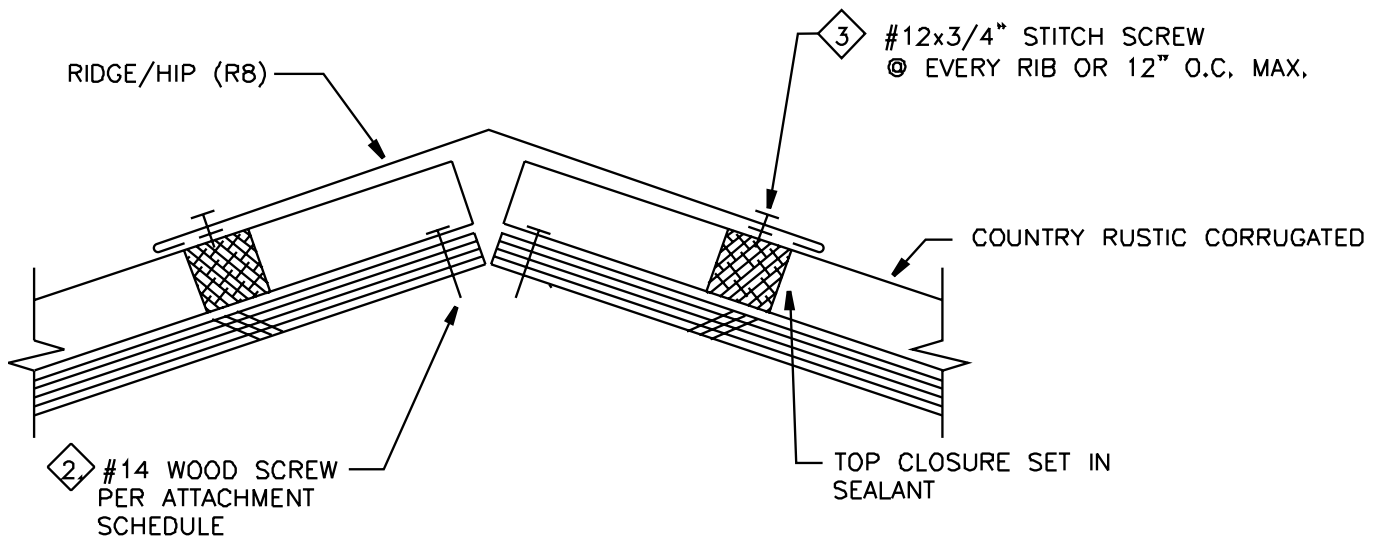
- The table above shows the metal buildings panel fasteners provided by ASC Building Products. Refer to the panel flashing details and fastener placement pages of this manual for specific usage.
- Panel attachment screws must be long enough to fully penetrate through the roof decking, or penetrate solid lumber at least one inch.
- All screws must be coated to provide protection against corrosion.
- Exposed fasteners should have sealing washers and be the same color as the parts they attach.
- Roofing nails will also be required, but not furnished by ASC Building Products. They are typically used to temporarily hold a flashing in place that needs to be installed prior to panels.
- Screws must be properly driven to ensure proper seal and holding strength. Do not underdrive or overdrive the screws. Recommended drill speed is 2000 rpm. Use of a depth-sensing nosepiece will aid in properly driving screws.



## Ridge/Hip Flashing



RIDGE/HIP (R8)

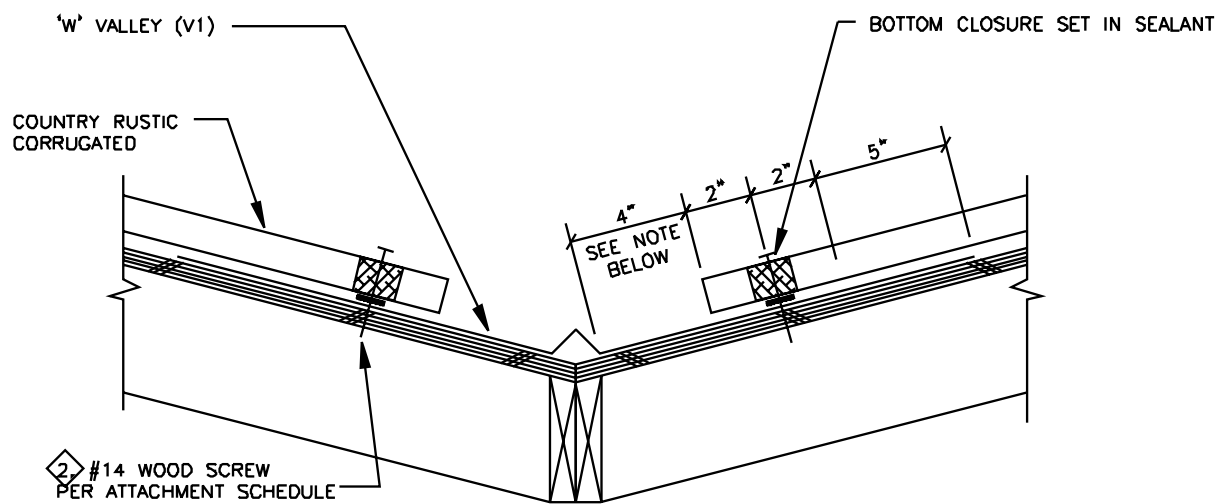
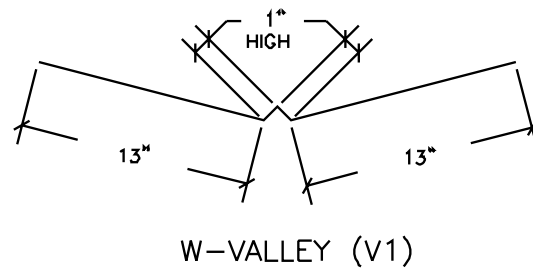


## COUNTRY RUSTIC CORRUGATED RIDGE / HIP

**Note:**

- Fasteners (except under ridge cap) should be located on tops of corrugations.
- Special ordered beveled closures available for a specific pitch/slope.

## Valley Flashing



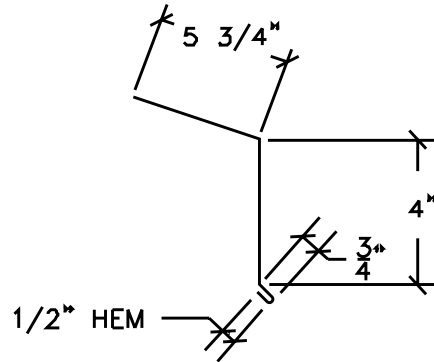
COUNTRY RUSTIC CORRUGATED VALLEY

**Note:**

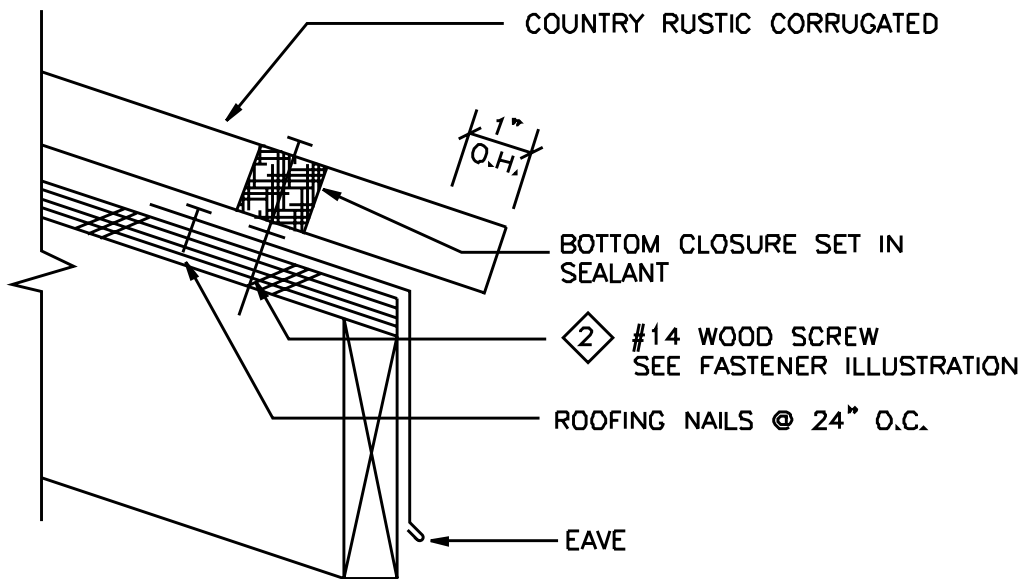
- Valley dimensions must be the proper width to account for slope, snow, ice and heavy rain conditions. An underlayment such as a rubberized cold-applied membrane is recommended extending a minimum of 3'-0" up from the center of the valley on each side.
- Special ordered beveled closures available for a specific pitch/slope.



## Eave Flashing

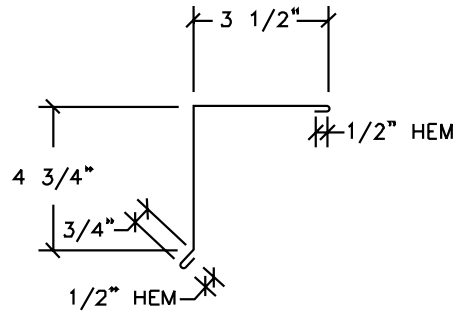


EAVE (E6)

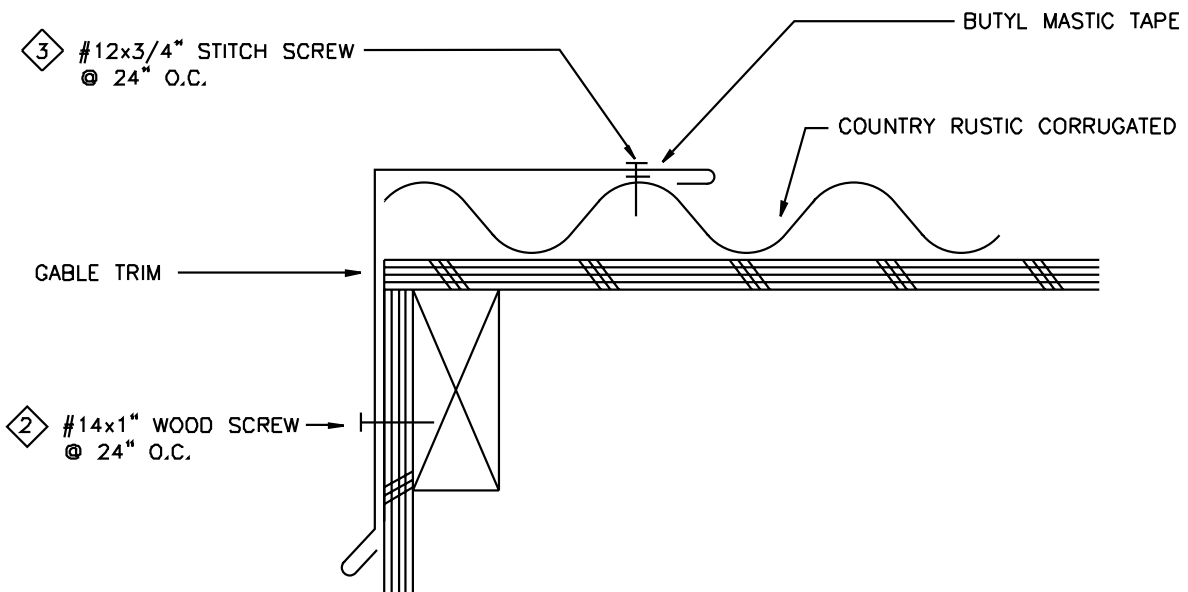


COUNTRY RUSTIC CORRUGATED EAVE

# Gable Flashing

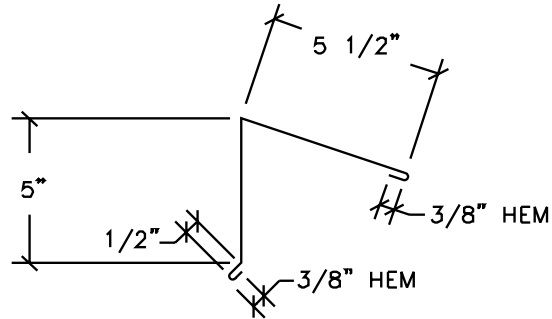


GABLE TRIM (G19)

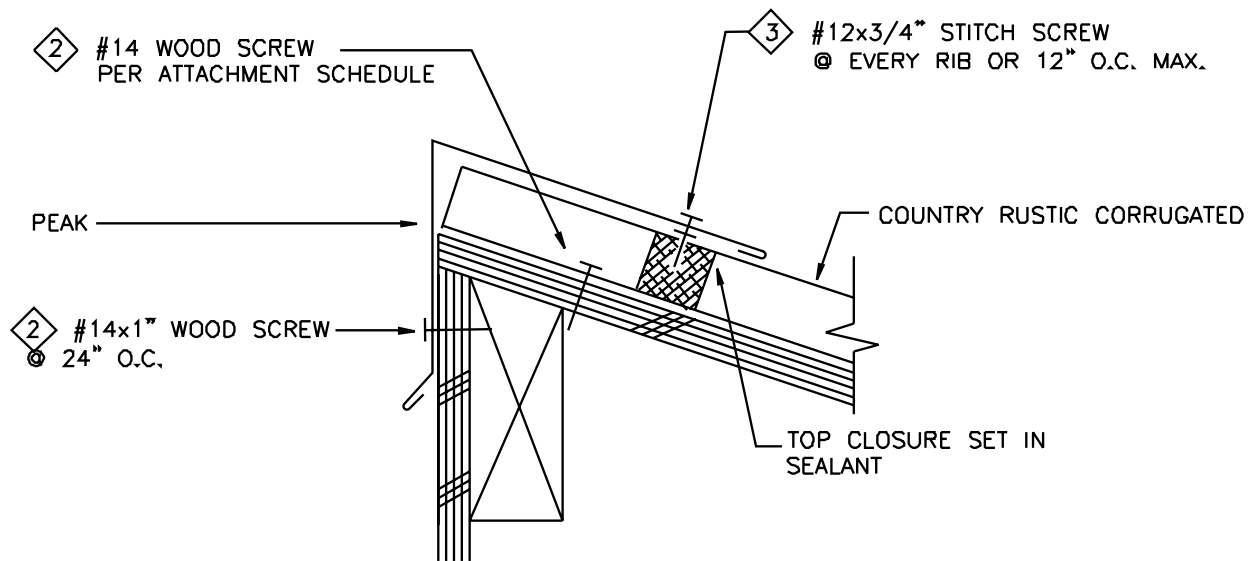


COUNTRY RUSTIC CORRUGATED GABLE

## Peak Flashing

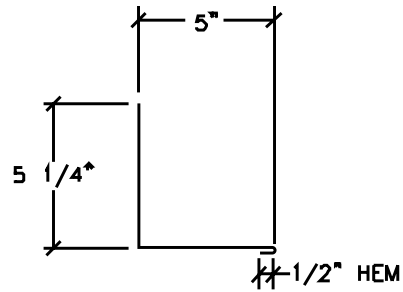


PEAK (PF16)

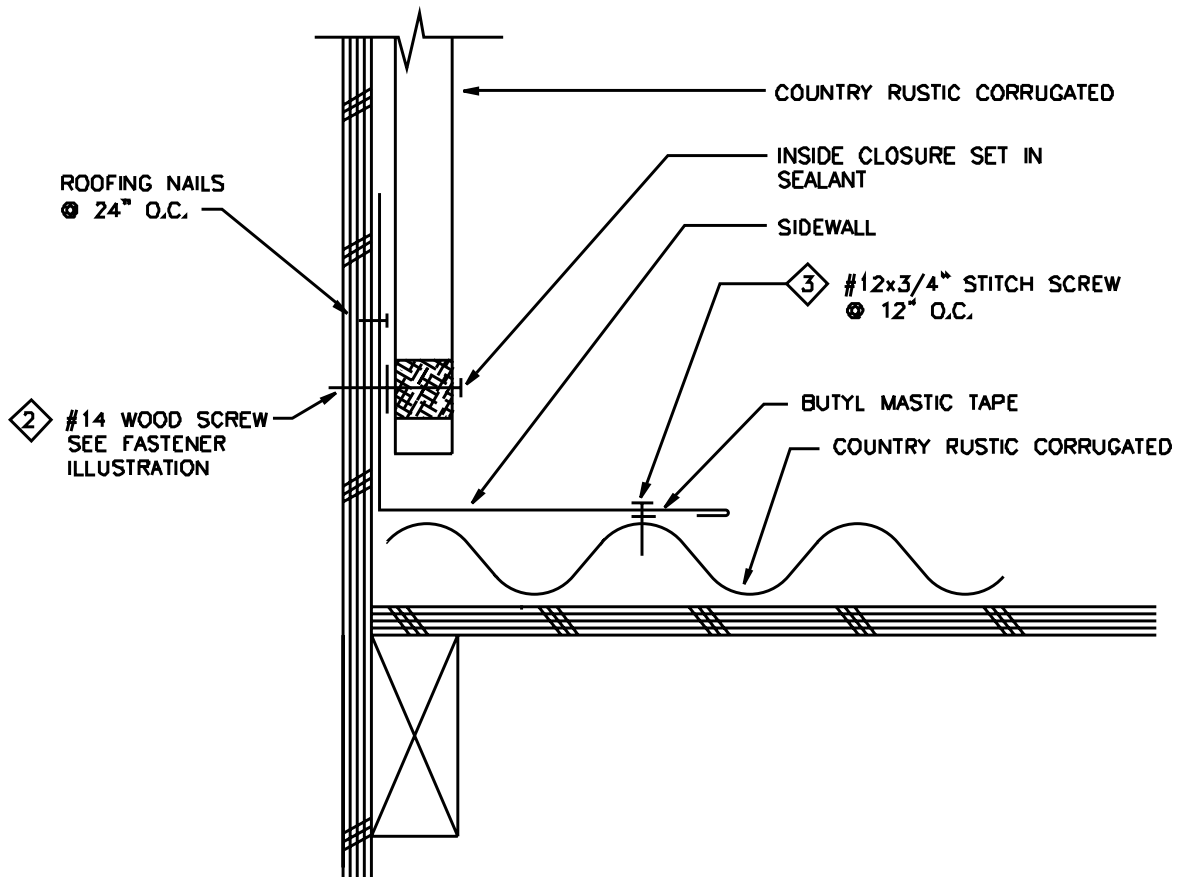


COUNTRY RUSTIC CORRUGATED PEAK

# Sidewall Flashing

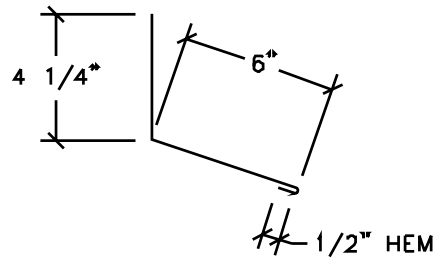


SIDEWALL (SW8)

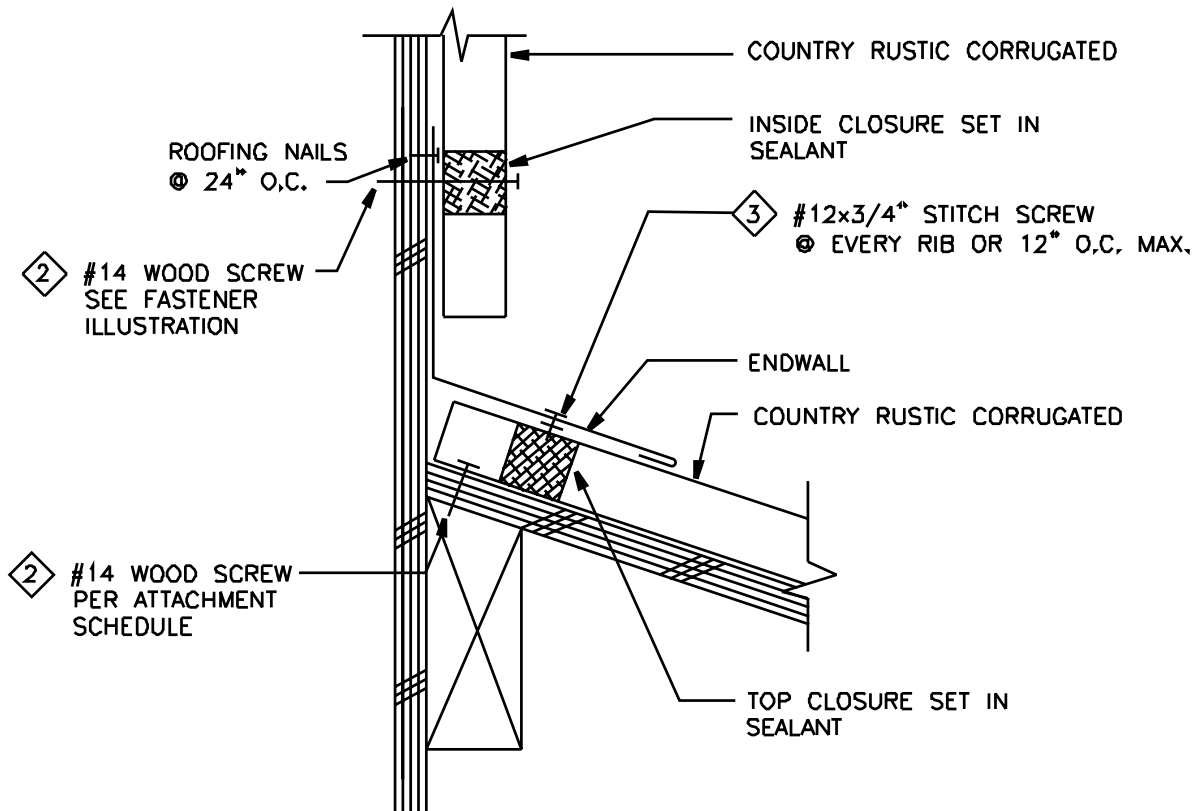


COUNTRY RUSTIC CORRUGATED SIDEWALL

## Endwall Flashing

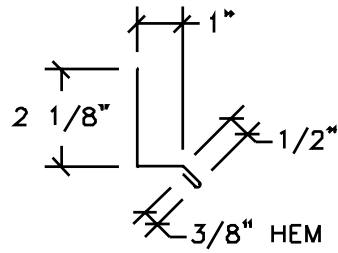


ENDWALL (EW6)

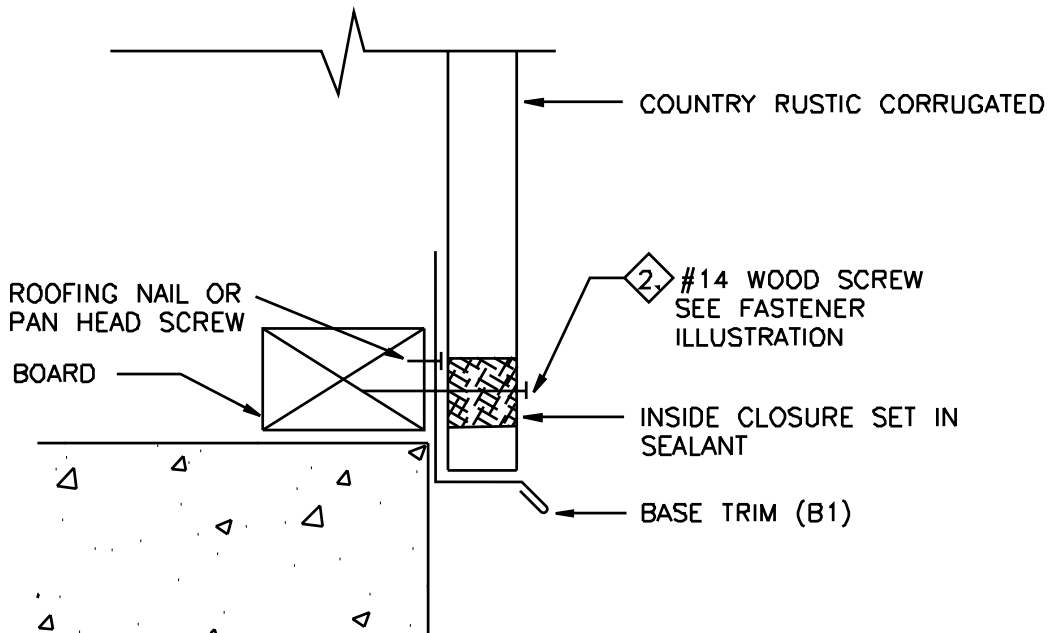


COUNTRY RUSTIC CORRUGATED ENDWALL

### Wall Details • Base Trim

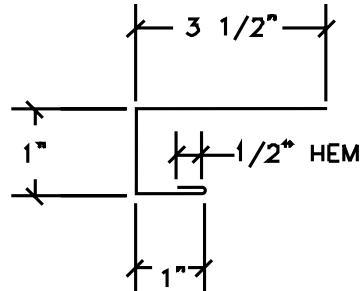


BASE TRIM (B1)

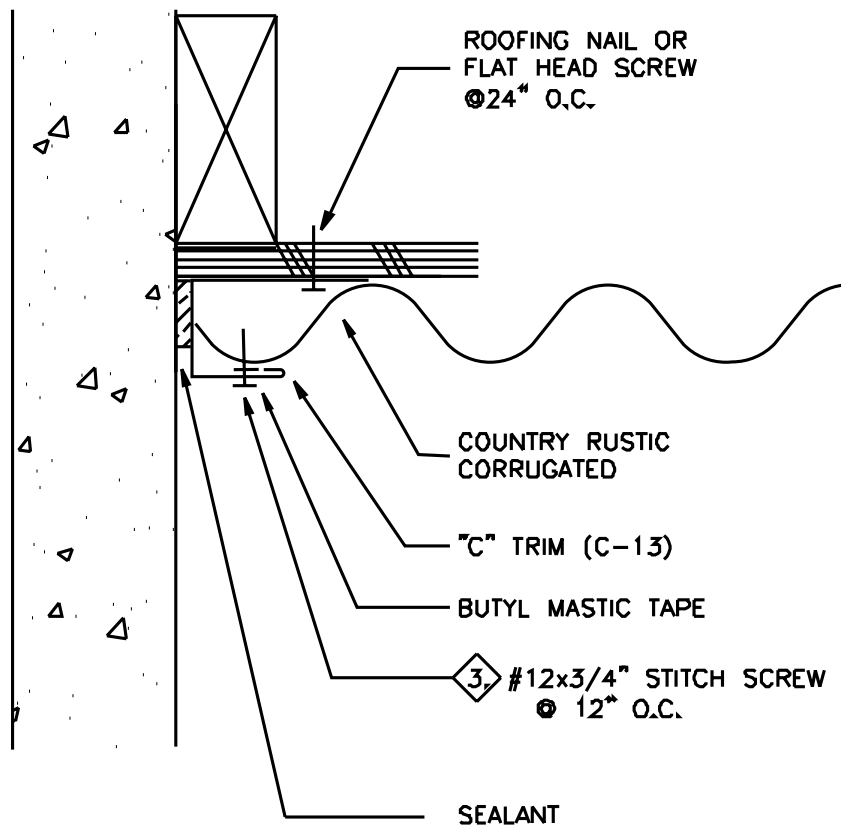


COUNTRY RUSTIC CORRUGATED BASE TRIM

## Wall Details • "C" Trim

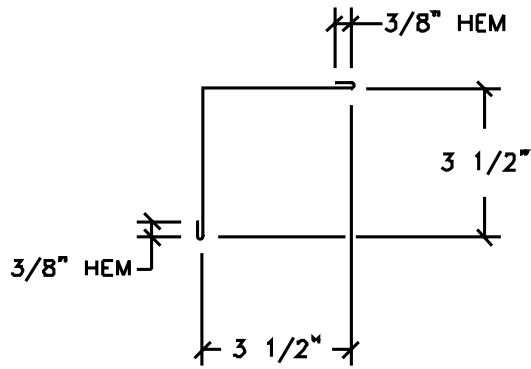


"C" TRIM (C13)

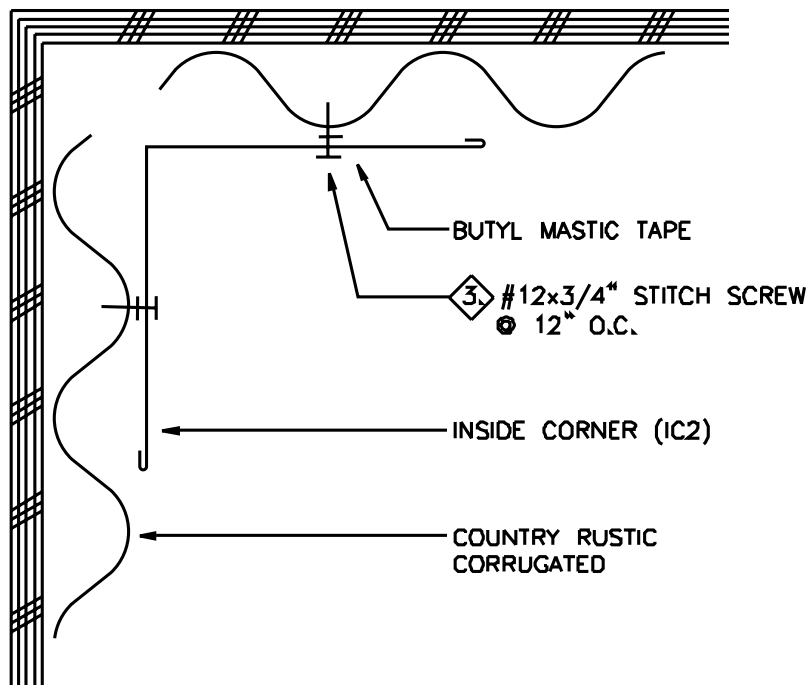


COUNTRY RUSTIC CORRUGATED "C" TRIM

### Wall Details • Inside Corner



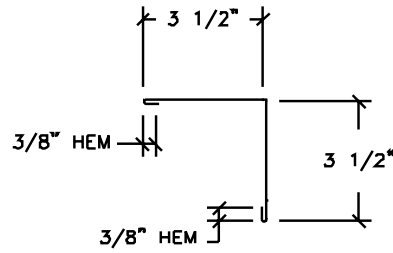
INSIDE CORNER (IC2)



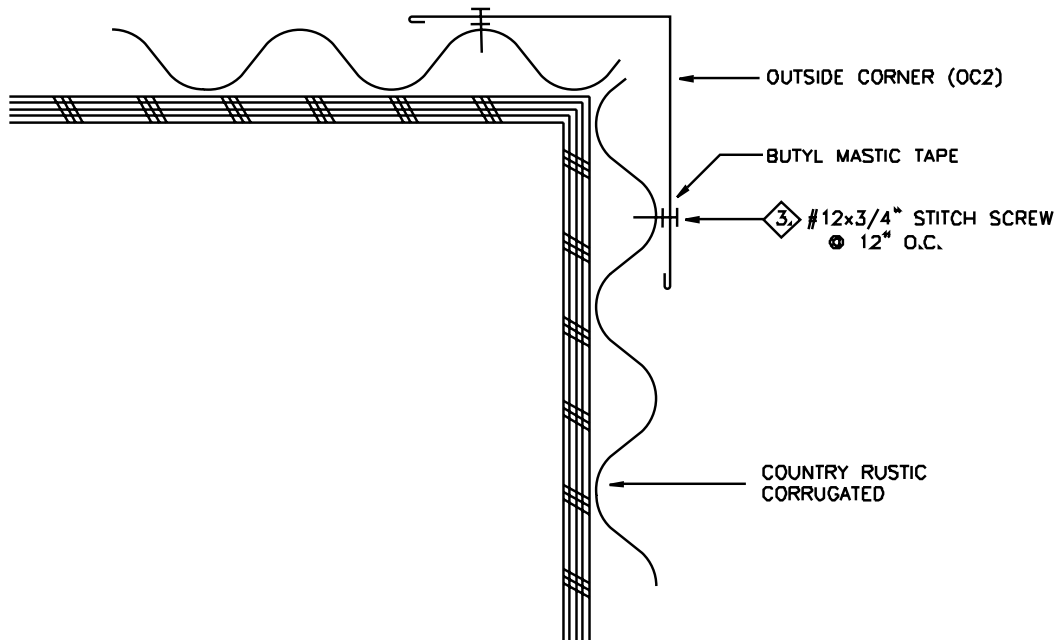
COUNTRY RUSTIC CORRUGATED INSIDE CORNER



## Wall Details • Outside Corner



OUTSIDE CORNER (OC2)



COUNTRY RUSTIC CORRUGATED OUTSIDE CORNER