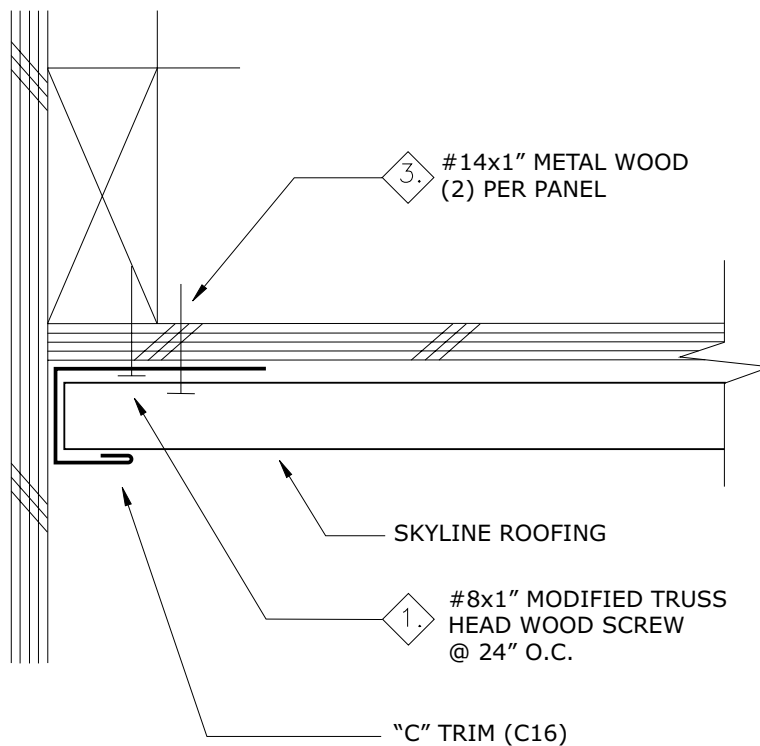
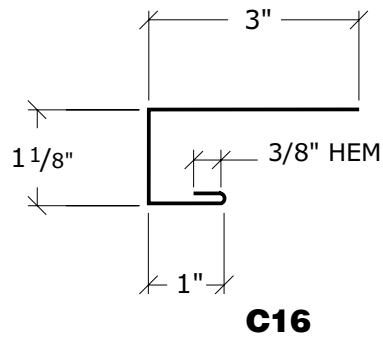


"C" Trim Flashing/Soffit



Procedures

- Attach the "C" Trim "C16" prior to the installation of the soffit panels.
- Fasten with #8 x 1" modified truss head wood screws at 24" o.c.