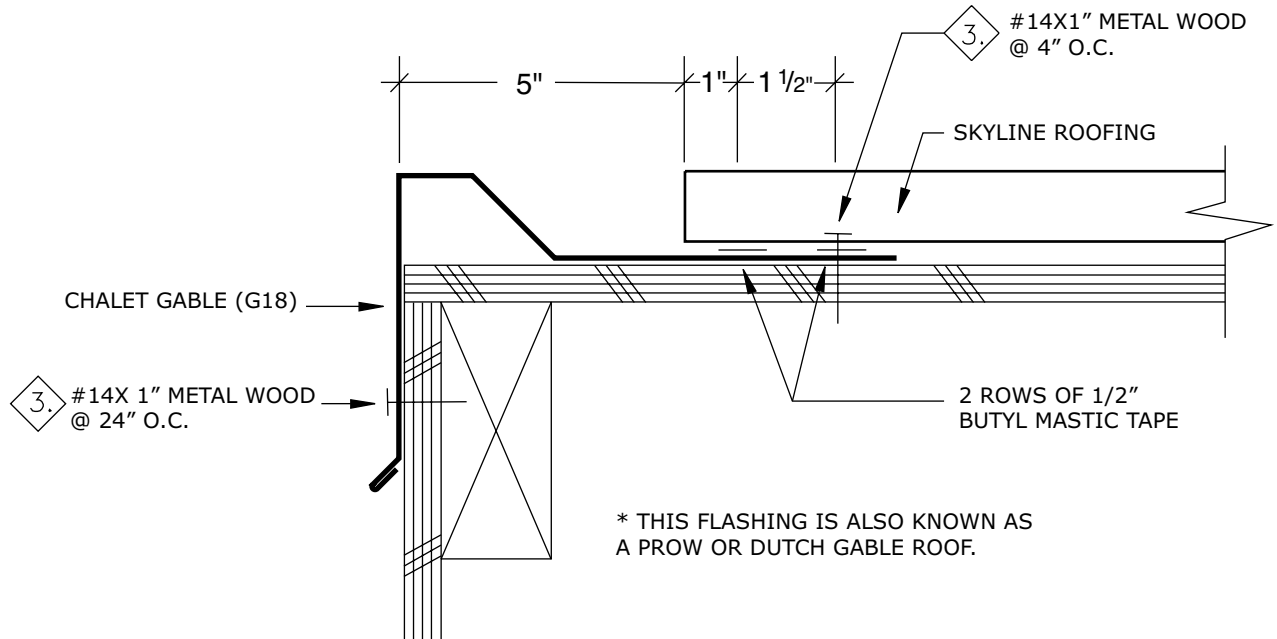
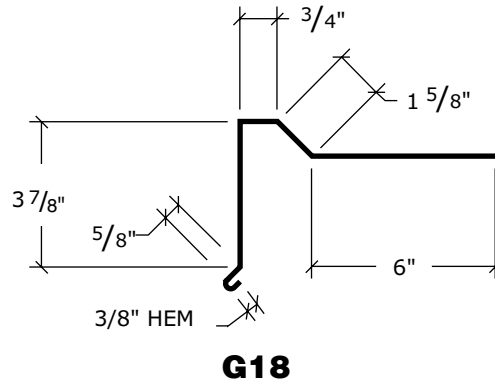


Chalet Gable Flashing

Note: This flashing must be installed prior to the panels.



Procedures

- Attach the chalet flashing “G18” using #14 x 1” Metal-Woods spaced at 24” o.c.
- Caulk (ProSeal 34 is recommended) and lap the flashing a minimum of 3” o.c. joining the hem. (See pg. 48).
- Parallel to the face of the flashing, place two rows of butyl mastic tape as shown.
- Field cut the panels holding 5” back from the face of the flashing as shown.
- Attach the panels to the roof and ‘thru-fasten’ along the bottom edge using #14 x 1” Metal-Woods spaced at 4” o.c. and at approximately 7 1/2” in from the face of the flashing so they align with the second row of tape sealant.
- Chalet gable to be used with standard eave “E17”. (See pg. 16).