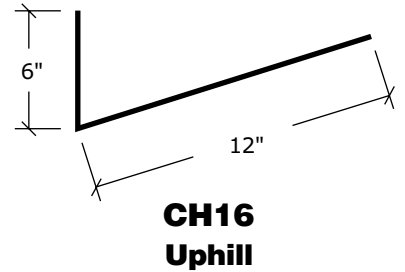
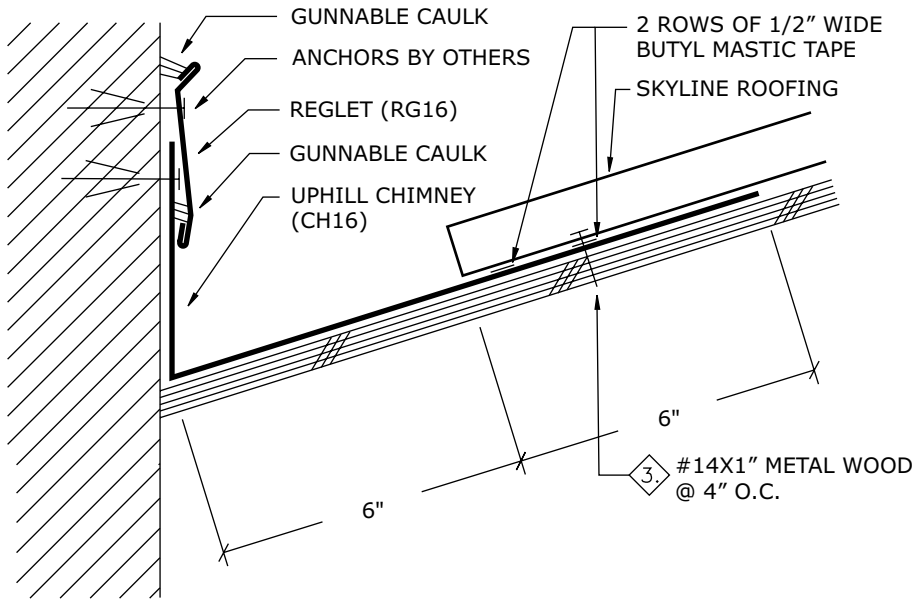
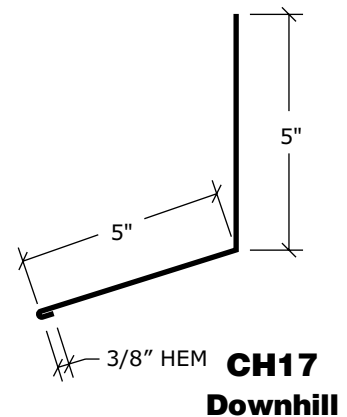
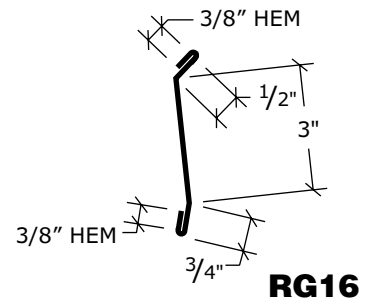
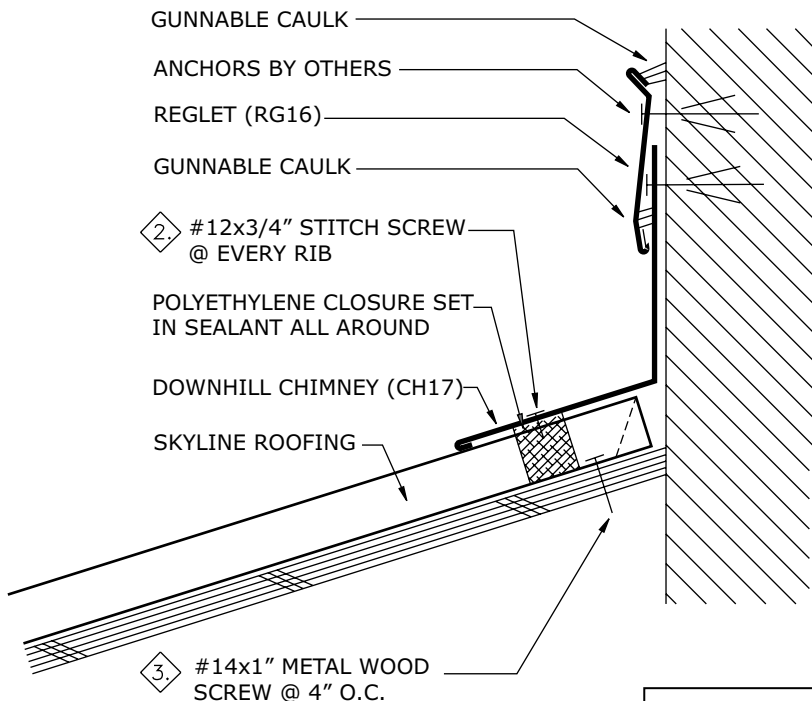


## 2 – Chimney Flashing (Uphill)



## 3 – Chimney Flashing (Downhill)



Note: Provide space between end of panel and structure to accommodate for expansion of panels.