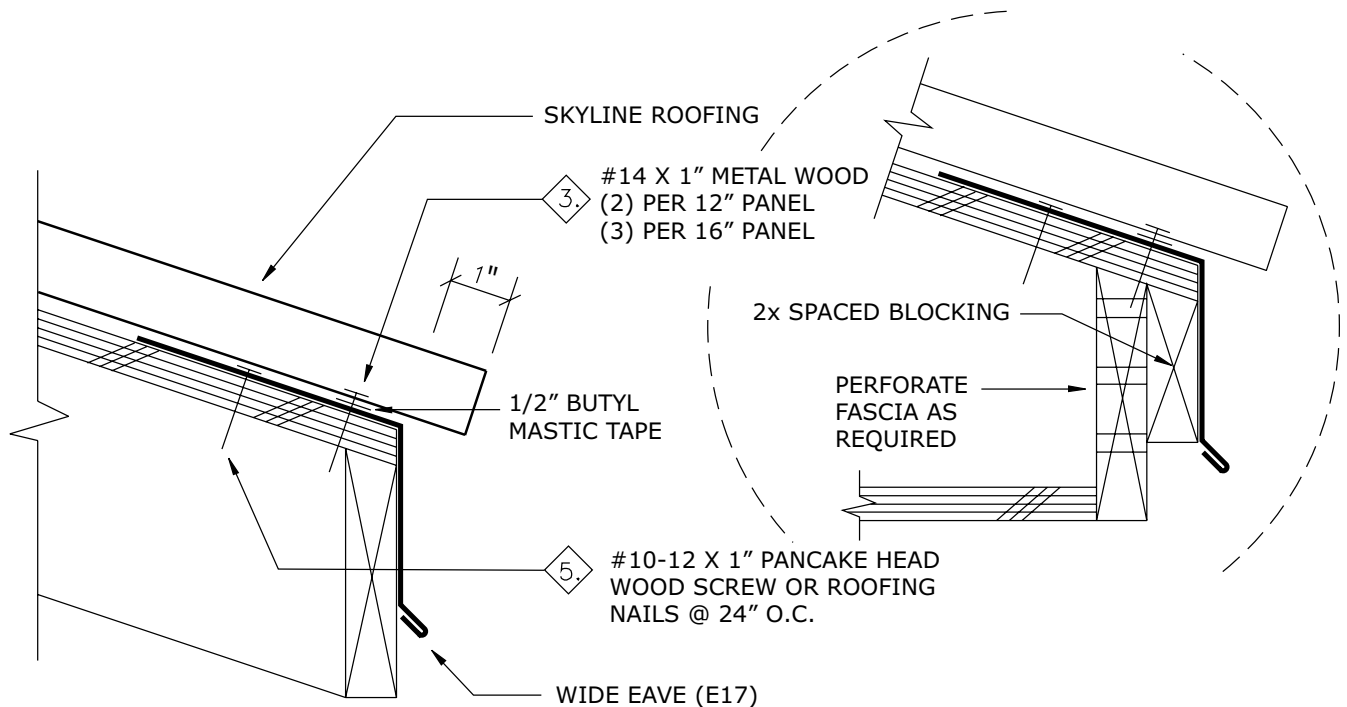
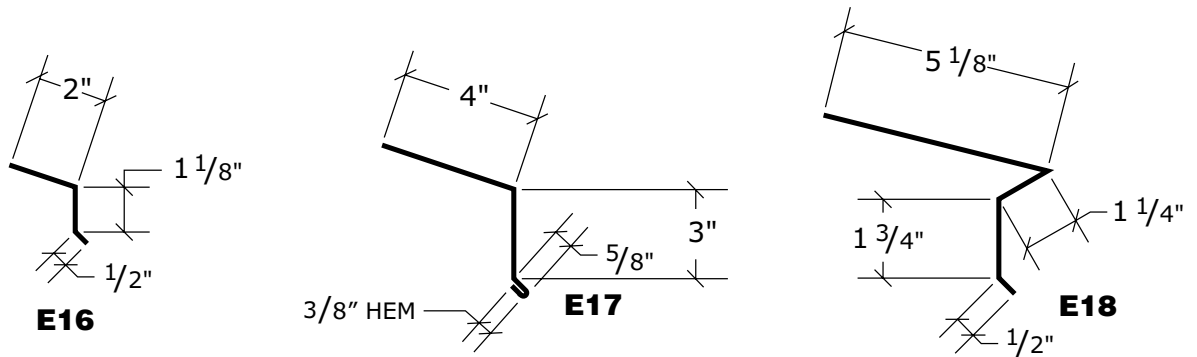


Eave and Vented Eave Flashings

Note: This flashing must be installed prior to the panels.



Procedures

- Attach the eave flashing "E17" using #10-12 x 1" pancake head wood screw or roofing nails evenly spaced at 24" o.c.
- Use a screwdriver to open the hem of the next flashing for approximately 4". (See pg. 48).
- Caulk (ProSeal 34 is recommended) and lap the flashing a minimum of 3" joining the hem. (See pg. 48).
- Panels should overhang the eave 1" minimum.

Note: "E17" is a wide eave. A narrow eave, "E16" is also available. "E18" is a snow eave designed for snow country. Heavy weather conditions may require a rubberized cold-applied membrane underlayment. See notes on page 14 for installation techniques.