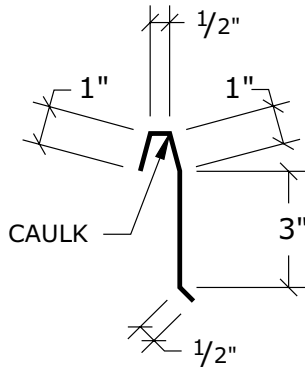
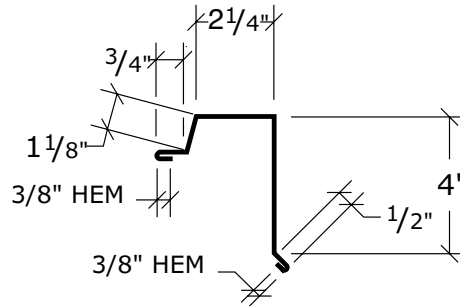


End Gable Flashing



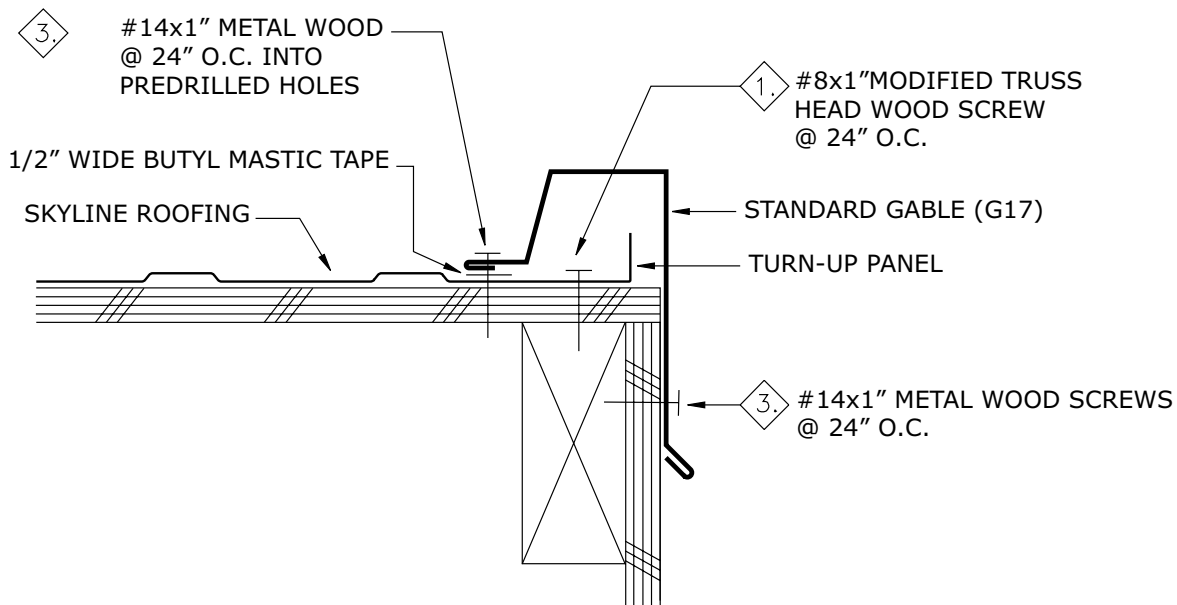
G16

(For panels longer than 40 ft.)



G17

(For panels shorter than 40 ft.)



Procedures

- Trim the panel 1/2" in and parallel with the edge of the roof.
- Place butyl mastic tape along the gable flashing's flange as shown.
- Install the gable flashing "G17" by placing it firmly over the rib and predrilling holes 24" o.c. then fasten using color matched Metal-Wood screws. If using the narrow gable "G16" do not fasten. (See Note).
- Caulk (ProSeal 34 is recommended) and lap the flashing a minimum of 3" hooking the hem. (See pg. 48).
- Mitre cut the flashing at the peak to join each side at the ridge. (See pg. 23).
- Snip and fold the gable at the eave to close the end. Use rivets to fasten. (See pgs. 13, 17, & 22).

Notes:

- If using the narrow gable "G16" do not fasten to panel, only to the structure. Narrow gable flashing fits snug against panel rib, or panel edge turned-up in the field.
- Gable flashing should be dimensioned to match peak, ridge, and eave flashings.
- Use "G16" for Skyline Roofing® longer than 40 ft.