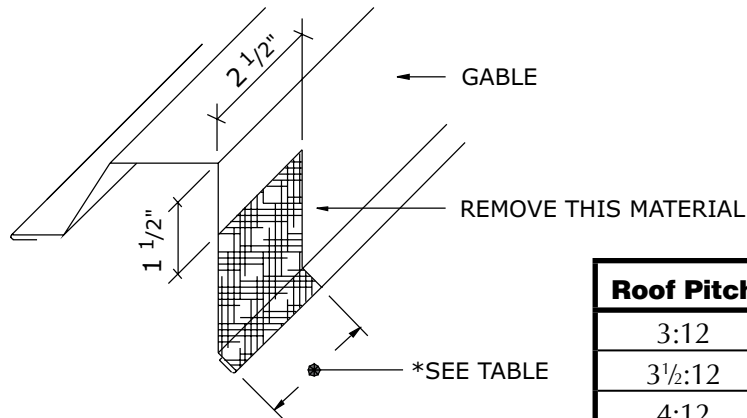


## Gable Flashing Preparation

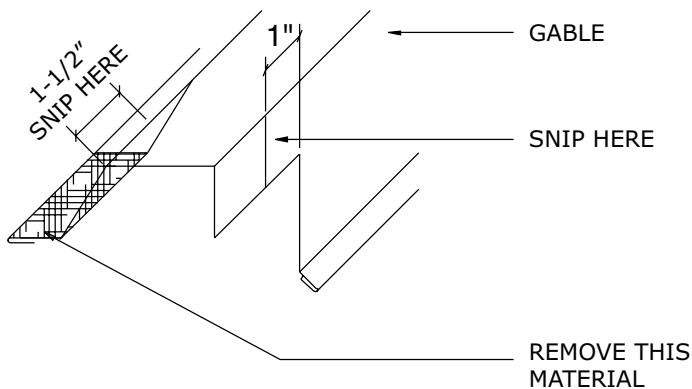
### Step One



Roof Pitch	Dimension
3:12	1 <sup>7</sup> / <sub>8</sub> "
3½:12	1 <sup>3</sup> / <sub>4</sub> "
4:12	1 <sup>5</sup> / <sub>8</sub> "
5:12	1 <sup>7</sup> / <sub>16</sub> "
6:12	1 <sup>1</sup> / <sub>4</sub> "
12:12	0"

### Step Two

Note: Length of gable must extend 2 1/2" past eave fascia.



### Step Three

