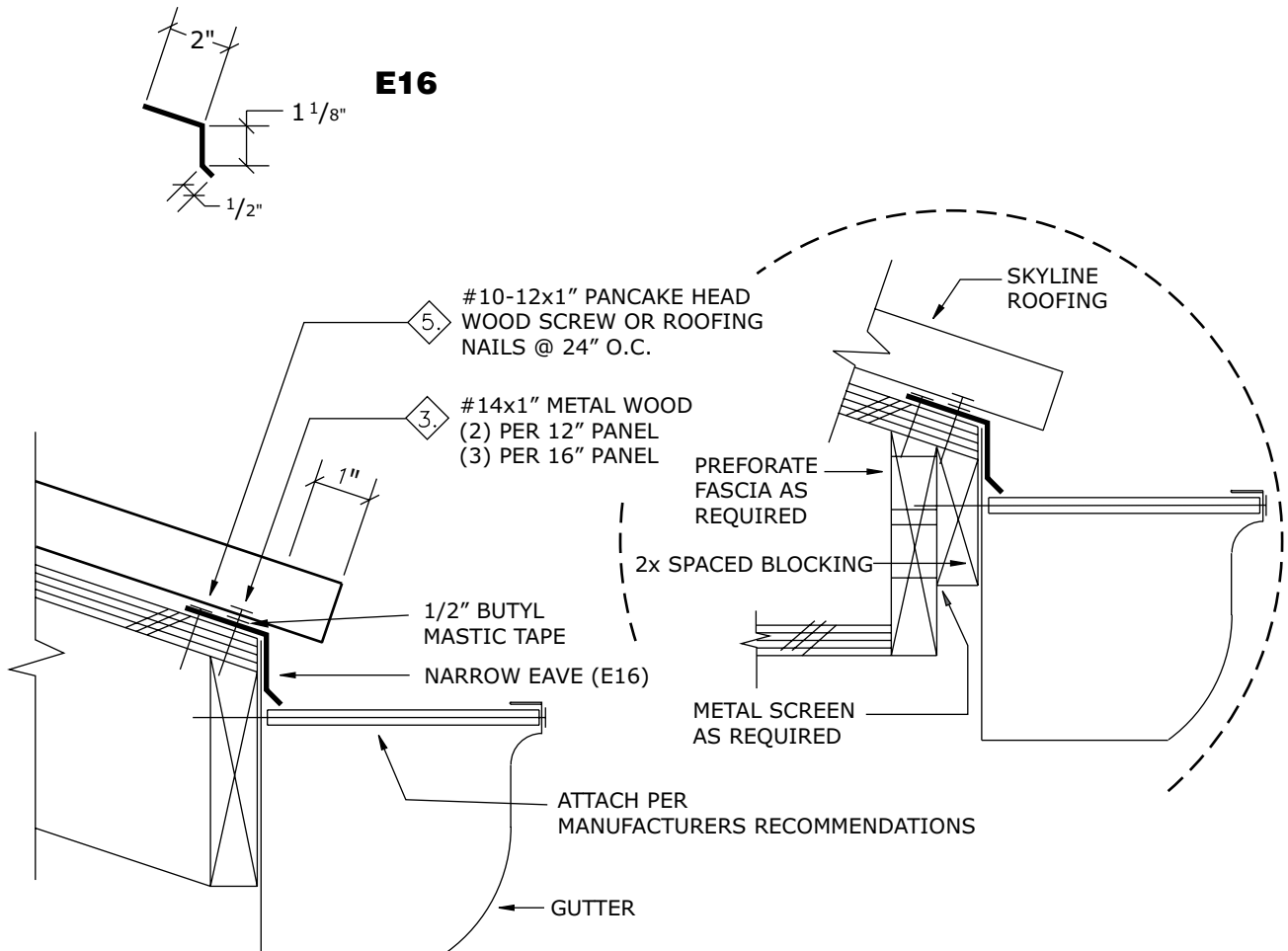


Gutter and Gutter With Vented Eave

Note: This flashing must be installed prior to the panels.



Procedures

- Carpentry must be complete as indicated prior to installation of the flashing.
- Attach eave flashing "E16" using #10-12 x 1" pancake head wood screw or roofing nails evenly spaced at 24" o.c.
- Use a screwdriver to open the hem of the next flashing for approximately 4". (See pg. 48).
- Caulk (ProSeal 34 is recommended) and lap the flashing a minimum of 3" joining the hem. (See pg. 48).
- Panels should overhang the eave 1" minimum.
- ASC BP recommends that a licensed gutter contractor install the gutter.