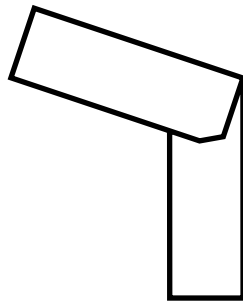
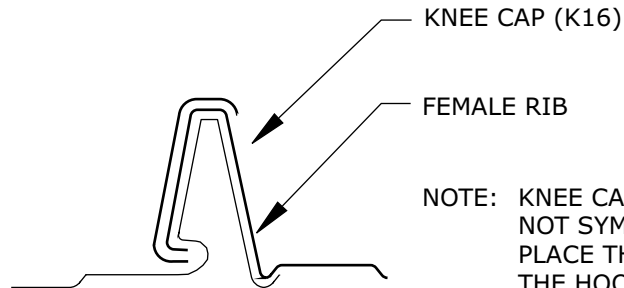


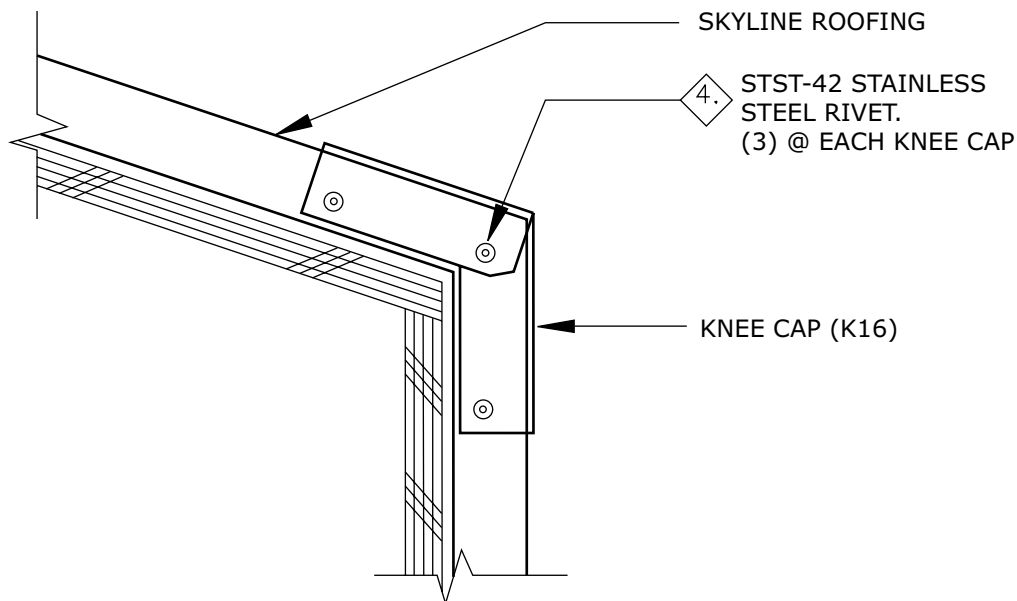
## Knee Cap Flashing



**K16**



NOTE: KNEE CAP (K16) IS NOT SYMMETRICAL, PLACE THE LEG WITH THE HOOK INTO THE PANEL'S "S" BEND AS SHOWN



### Procedures

- Cut only the major ribs where the panel is to bend.
- Attach the roofing/fascia panels.
- Caulk (ProSeal 34 is recommended) and cover the gap with the knee cap flashing "K16" and fasten with four (3) rivets.