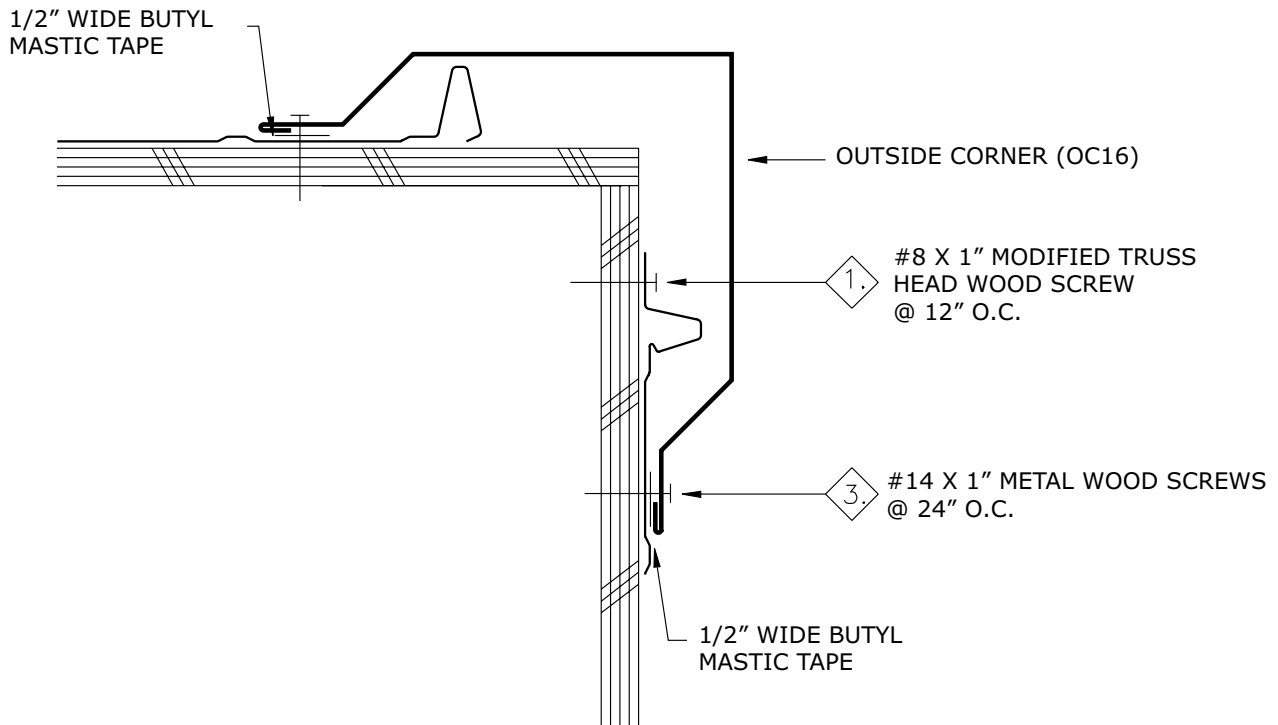
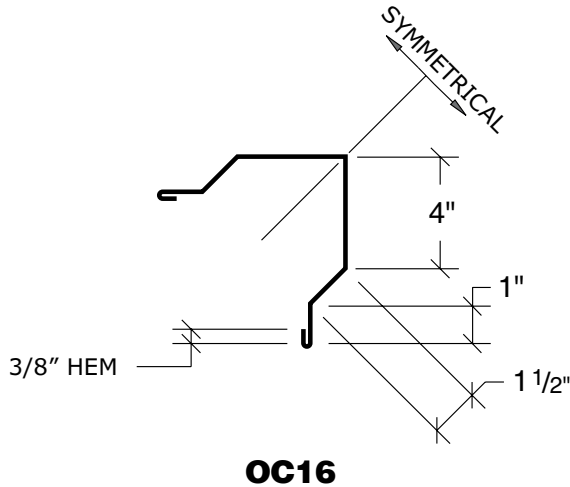


## Outside Corner Flashing



### Procedures

- Begin with the bottom most flashing.
- Attach the outside corner "OC16" with #14 x 1" Metal-Wood screws at 24" o.c.
- Caulk (ProSeal 34 is recommended) and lap the next flashing a minimum of 3" joining the hem. (See pg. 48).