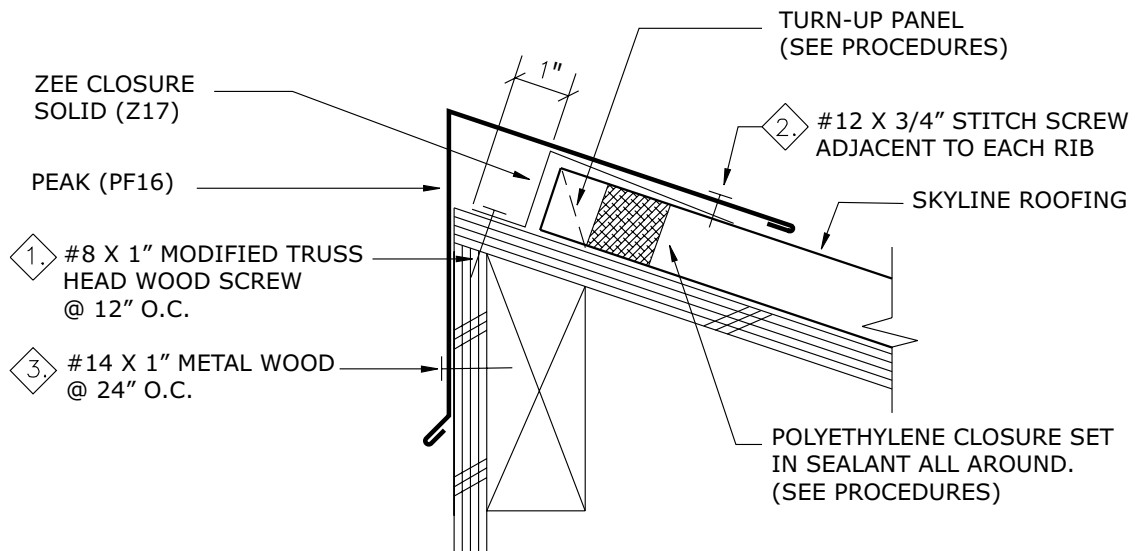
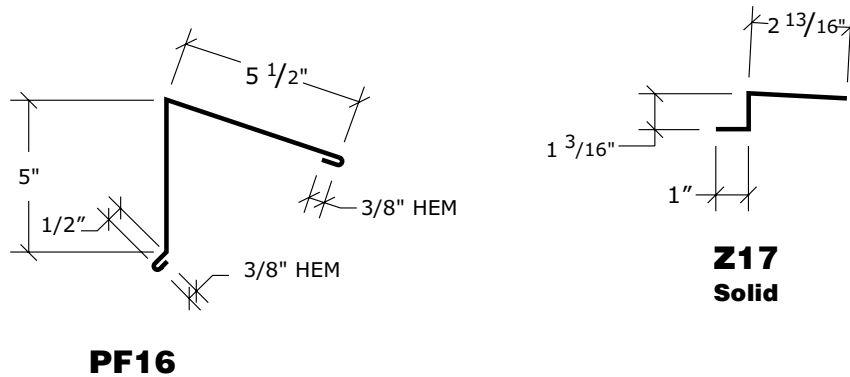


Peak Flashing



Procedures

- Locate the panels down from the peak as required.
- Caulk (ProSeal 34 is recommended) the bottom & sides of the polyethylene closure, set the closure as shown above and caulk the top. Closure is optional if the panel is turned-up as shown and caulked at the sides near the ribs.
- Attach the zee closure "Z17" (solid) at the top edge of the panel parallel to the peak.
- Provide space between zee closure "Z17" and panel to allow for expansion of the panel.
- Fasten the peak "PF16" to the zee using #12 x 3/4" stitch screws. (Adjacent to the panel ribs when possible).
- Fasten the peak "PF16" with Metal-Wood screws at 24" o.c.
- Caulk (ProSeal 34 is recommended), lap and rivet sequential flashings. (See pg. 48).