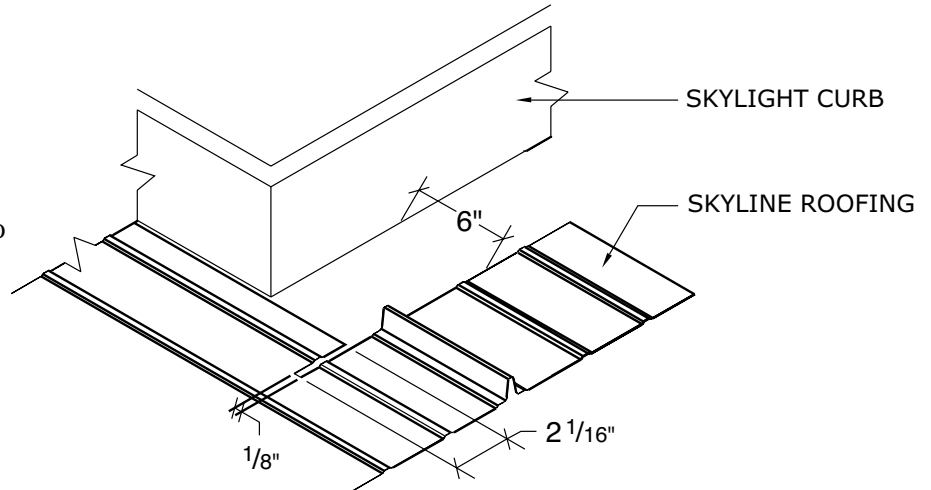


## Procedure for the Installation of Skylight Flashings

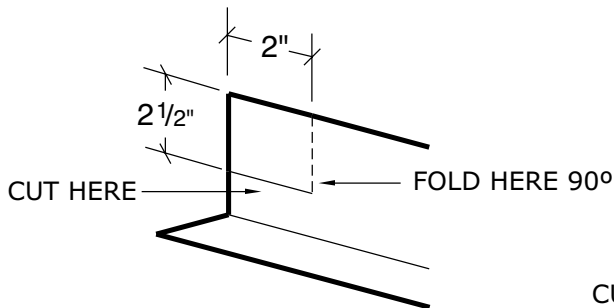
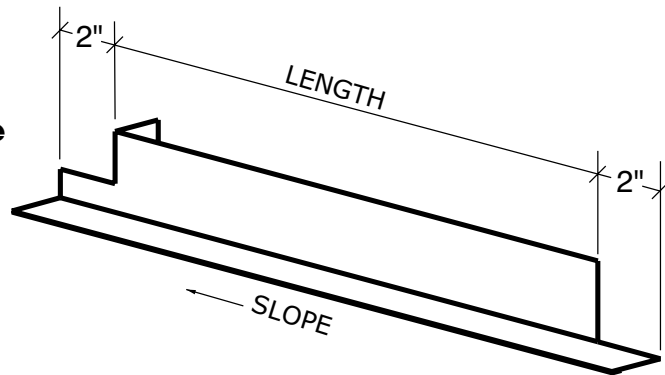
The skylight flashing will be 4" wider than the width of the curb (2" on each side). Cut a 1/8" slot in the two uphill corners of the Skyline Roofing® panel slightly wider than 2 1/16", so the uphill flashing can slide through the two slots. (See illustration #8).

**Illustration No. 8**

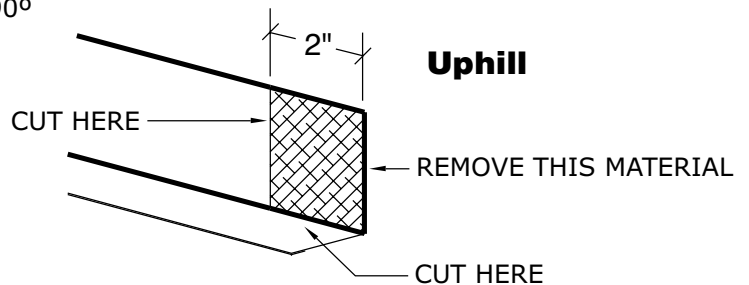


## Skylight Flashing Preparation

**Right Side**



**Downhill**



**Uphill**

Trim and bend the right side skylight flashing as indicated. Trim the left side in a similar fashion. *Note:* the left and right side flashings are mirror images of each other.