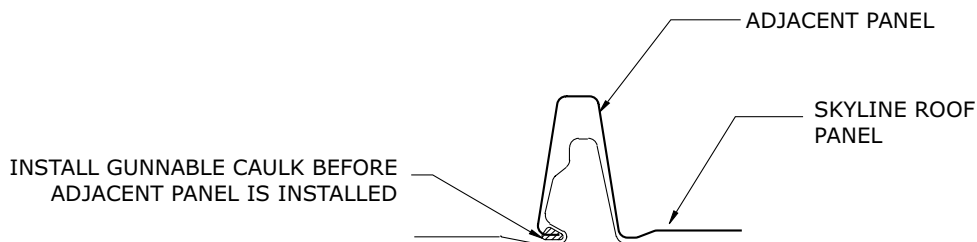
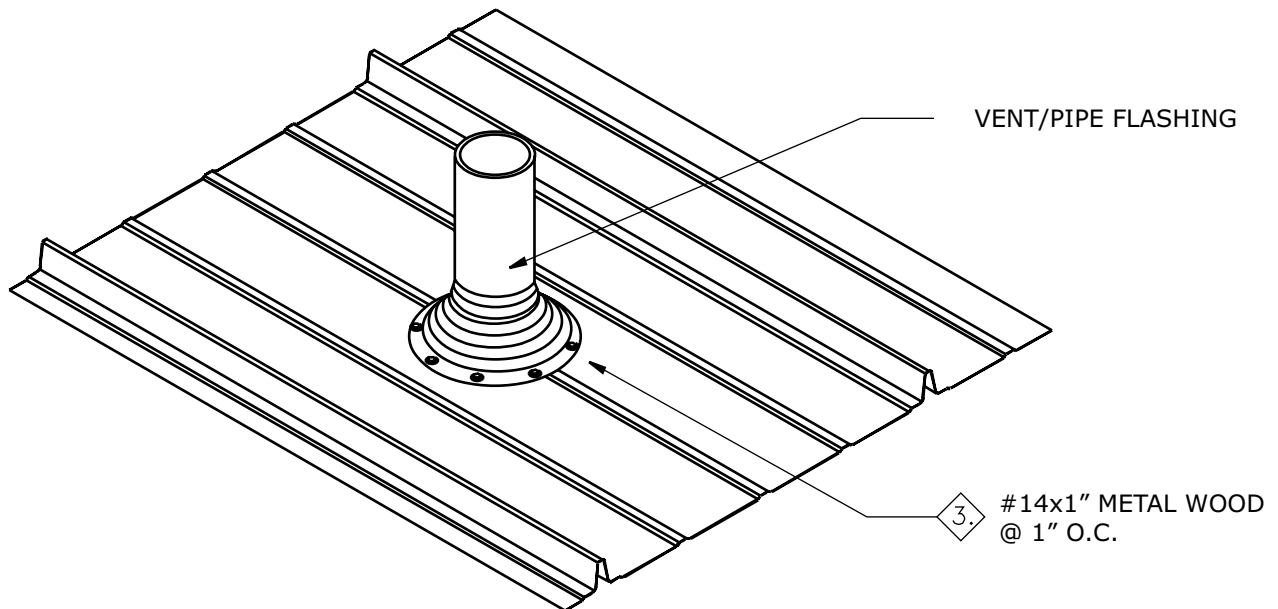


Vent Flashing



For penetration through the sidelap:

When a penetration occurs through the panel sidelap, install gunnable caulk (ProSeal 34 is recommended) from the penetration to the ridge, peak or endwall to prevent water from running downhill into the opening. See detail left.

Procedures

- Trim the opening in the flashing to 20% smaller than the pipe diameter.
- Slide the flashing down over the pipe.
- Seal between the flashing and the roofing with gunnable caulk (ProSeal 34 is recommended) and set the flashing.
- Form the flashing to fit the profile of the roof.
- Fasten the flashing with #14 x 1" Metal-Wood screws at 1" o.c.

Note: In many cases it may be easier to locate vent/pipe flashing in the flat area of the roof panel (as shown) rather than have the penetration occur at a panel rib. Determining panel layout prior to installation often simplifies penetration flashing installation.