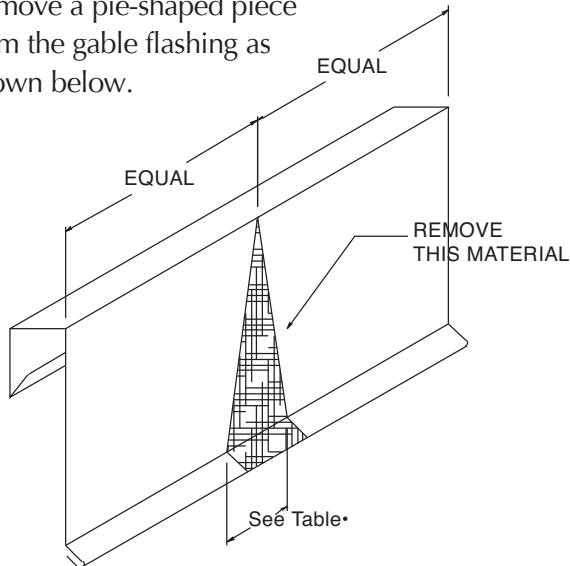


## Gable Flashing Preparation at Ridge

### Step One

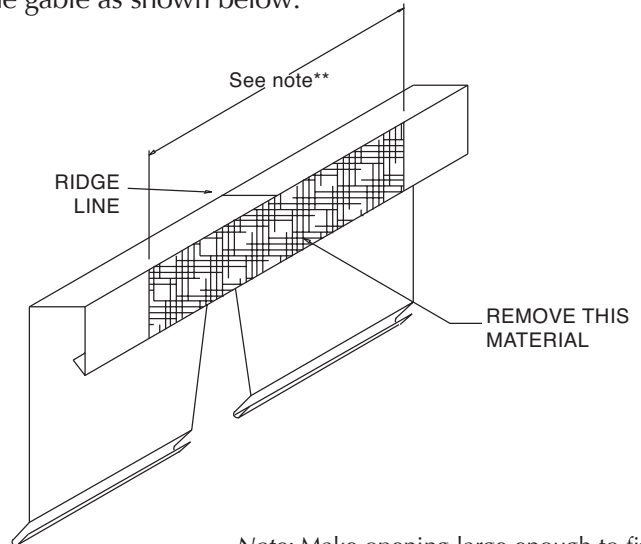
Remove a pie-shaped piece from the gable flashing as shown below.



Roof Pitch	Dimension
3:12	1 7/8"
4:12	2 7/8"
5:12	3 3/4"
6:12	4 3/4"
7:12	5 3/4"
12:12	0"

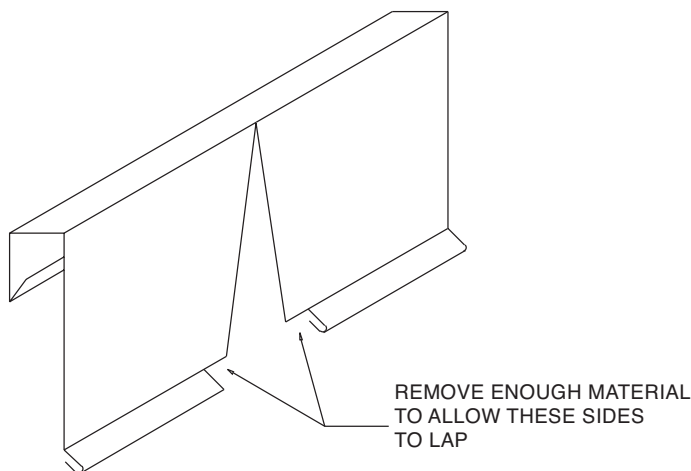
### Step Two

Notch out the downturn leg on the gable as shown below.



*Note:* Make opening large enough to fit over Zee Closures for a standard ridge and large enough to fit over the perforated metal pieces for a vented ridge.

### Step Three



### Step Four

Center the flashing on the ridge at the gable and bend to roof pitch

