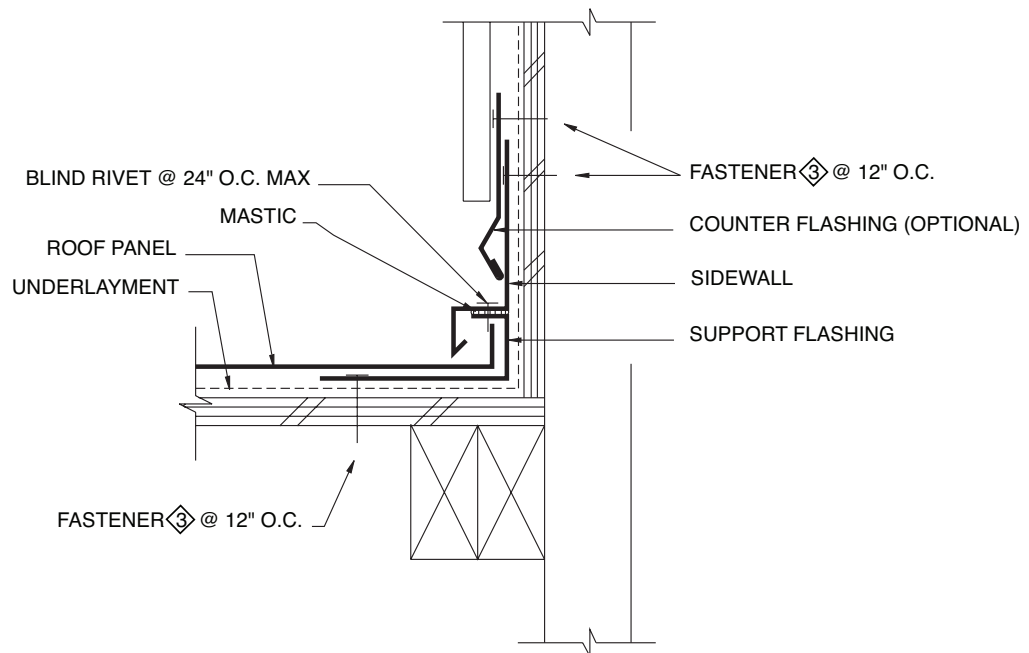
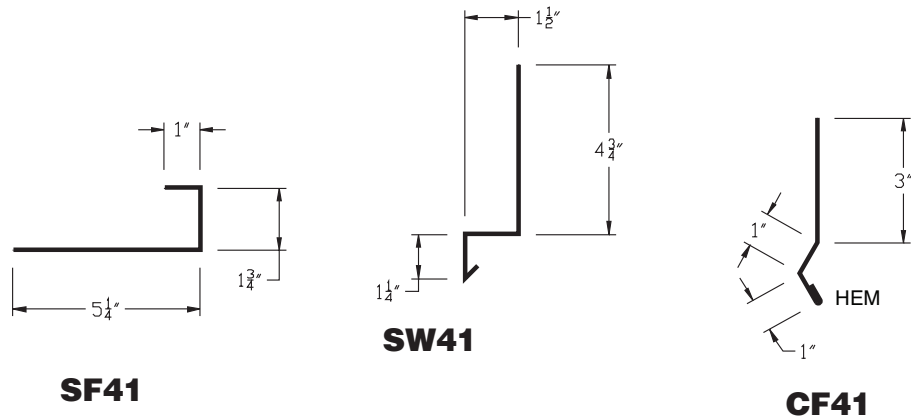


Sidewall Flashing



Procedures

- The support flashing should be installed prior to the roofing panel.
- Cut the panel and turn up the edge as shown.
- Place butyl mastic tape between the sidewall flashing and support flashing as shown.
- Caulk (ProSeal 34 is recommended), lap, and rivet sequential flashings. We recommend that maximum accumulated length of flashings do not exceed 40 ft.
- Attach the counter flashing if used.
- Cut, caulk (ProSeal 34 is recommended), fold, and rivet the end of the sidewall flashing (similar to the gable preparation).