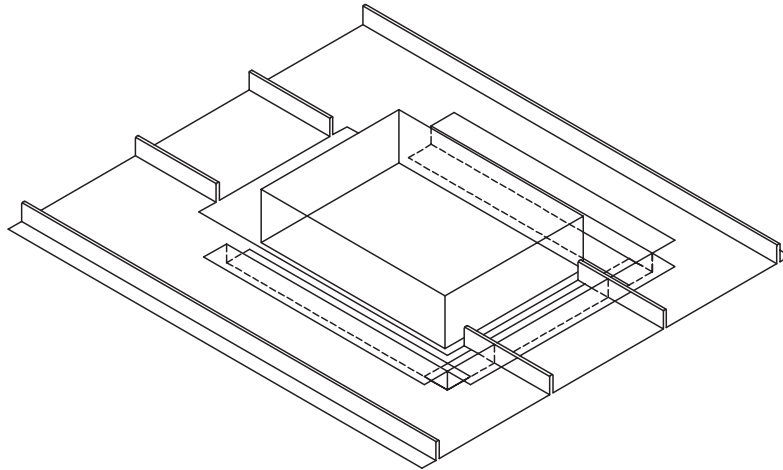
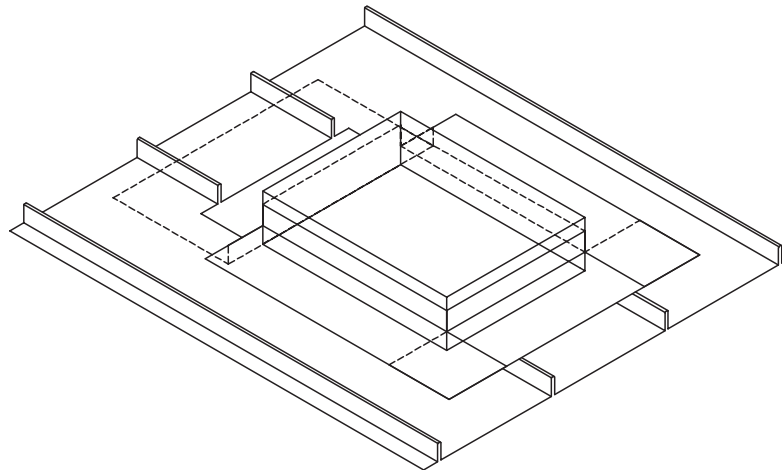


Skylight/Chimney Curb Details



Curb Detail with Zee Closures



Curb Detail with Flashing

Procedures

- Whenever possible, position the skylight curb so the ribs of the roof panels do not interfere with the flashings.
- Cut the roof panels as close to the left, right and downhill sides of the curb as possible. Cut the uphill side 6" up from the curb as indicated on page 28.
- The skylight flashing will be 10" wider than the width of the curb (5" on each side).
- Make sure all Z Closures have sealant on the top, bottom, and sides before fastening to the substrate.
- Apply liberal amounts of sealant where the Z Closures and flashings meet to insure weather tightness.