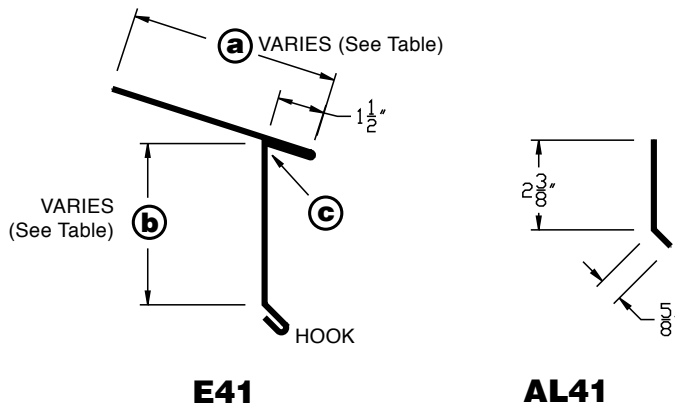
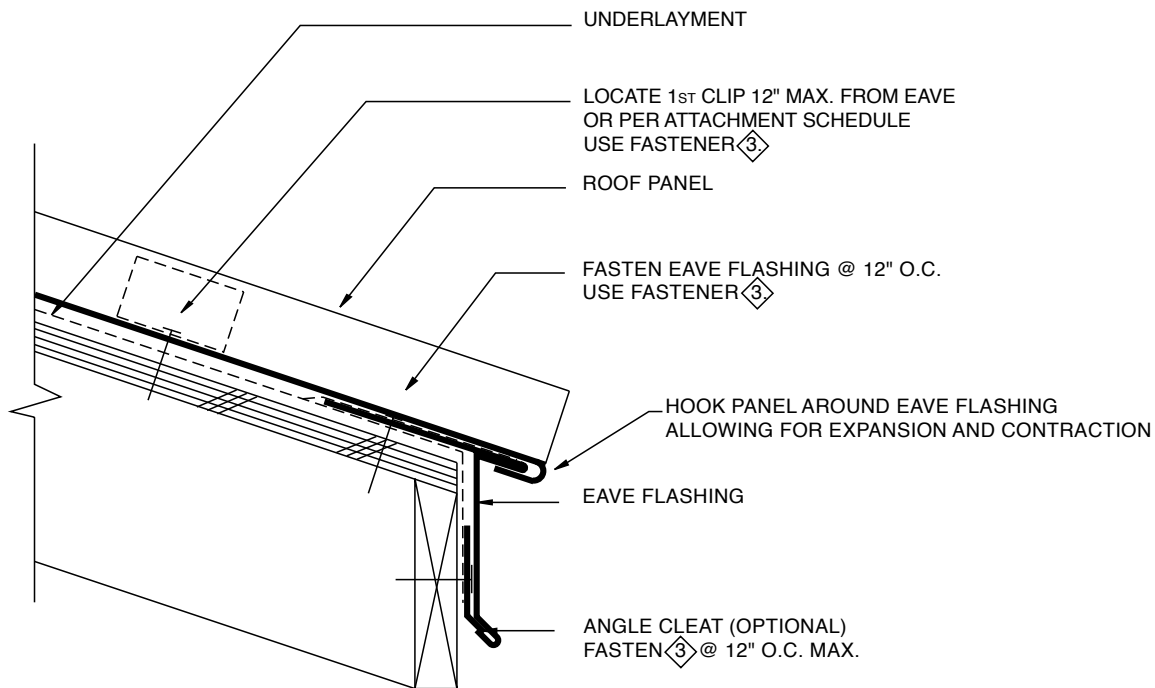


## Eave Flashing



Roof Pitch	(a)	(b)	(c)
3:12	5"	4 1/4"	76°
4:12	5"	4 1/4"	72°
5:12	5"	4 1/4"	67°
6:12	4 5/8"	4 5/8"	63°
7:12	4 5/8"	4 5/8"	60°
8:12	4 5/8"	4 5/8"	56°
9:12	4 1/8"	5 1/8"	53°
10:12	4 1/8"	5 1/8"	50°
11:12	3 5/8"	5 5/8"	47°
12:12	3 5/8"	5 5/8"	45°



### Procedures

- Locate angle cleat and fasten before installing the eave flashing. If the angle cleat is not used, fasten through the vertical leg of the eave flashing with #14x1" metal to wood screw every 24" o.c. max.
- Hook the panel around the eave flashing. Leave a gap to allow for expansion and contraction of the panel. Rule of thumb is 1/16" movement for every 10 ft. of panel length.
- Caulk (ProSeal 34 is recommended) and lap the eave flashing a minimum of 3" (See procedure for joining hems)
- Heavy weather conditions may require a rubberized cold applied membrane underlayment to be applied over the eave flashing.

*Note:* Consult with ASC for spacing in between eave flashing and hook for panels that exceed 40 ft.