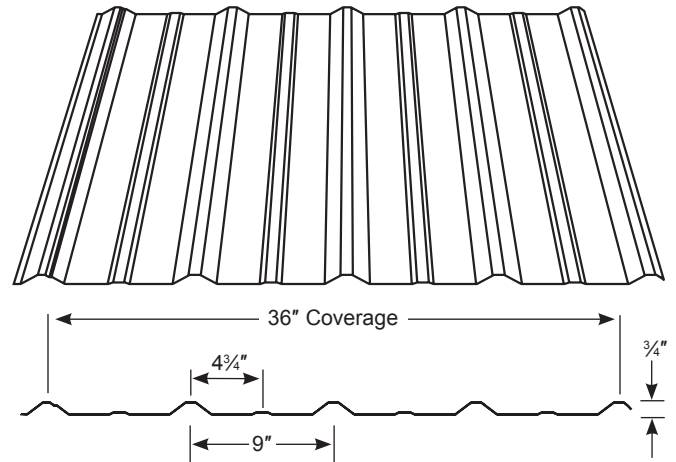


The DuraTech[®]x/ Coating System

ASC Building Products has enhanced the performance of its steel panels with the DuraTech x/ coating system. All standard colors have been formulated with cool pigments to help reduce the demand for energy.



Delta Rib III Allowable Load (psf)									
Gauge	Span	Cond.	Span (ft. - in.)						
			2-0	2-6	3-0	3-6	4-0	4-6	5-0
29	SS	f	94	60	42	30	23	18	15
		L/120	94	60	42	30	23	16	11
	DS	f	105	67	47	34	26	20	16
		L/120	105	67	47	34	26	20	16
	TS	f	132	84	58	43	33	26	21
		L/120	132	84	58	43	33	26	19
26	SS	f	144	92	64	47	36	28	23
		L/120	144	92	64	46	31	22	16
	DS	f	140	89	62	45	35	27	22
		L/120	140	89	62	45	35	27	22
	TS	f	175	112	77	57	43	34	28
		L/120	175	112	77	57	43	34	25

Delta Rib III Section Properties					
Gauge	Wt. (lbs/ft ²)	S+ (in ³ /ft)	I+ (in ⁴ /ft)	S- (in ³ /ft)	I- (in ⁴ /ft)
29	0.6156	0.0158	0.0113	0.0176	0.0087
26	0.7998	0.0240	0.0153	0.0234	0.0120

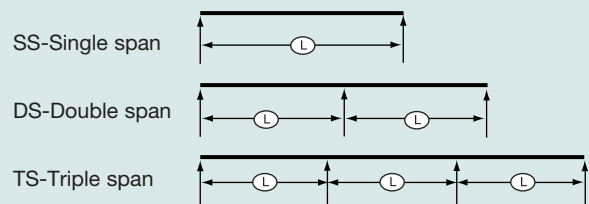
ALLOWABLE LOAD TABLE NOTES:

- Top values based on allowable stress. Bottom values based on allowable deflection of L/120.
- Steel conforms to ASTM A792 (Zincalume) or ASTM A653 with 80,000 psi minimum yield and ASTM A653 (Galvanized) with 80,000 psi minimum yield.
- Tables are for positive loading only.
- Values are based on the American Iron and Steel Institute (AISI) *Cold Formed Steel Design Manual* (2007 Edition).

Specifications subject to change without notice.

LOADING TABLE LEGEND

f-Load limited by flexural bending stress
L-Span (Inches)
L/120-Load limited by a deflection of 1/120 of the span



OIL CANNING

All flat metal surfaces can display waviness commonly referred to as "oil canning". "Oil canning" is an inherent characteristic of steel products, not a defect, and therefore is not a cause for panel rejection.