

DESIGN SPAN[®] *hp*



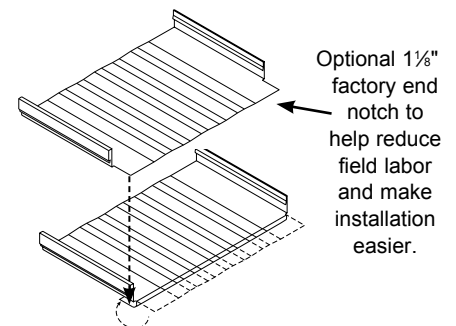
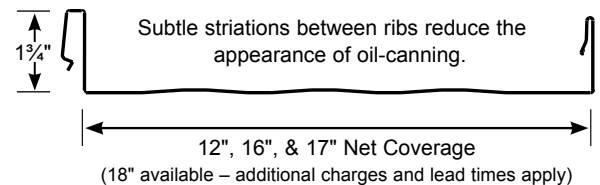
Design Span *hp*

EXCELLENCE IN STANDING SEAM STEEL ROOFING

When you're looking for protection, beauty, and value in a roof, a distinctive standing seam panel offers the best solution. Design Span *hp* is a concealed fastener system which offers performance and beauty.

FEATURES AND BENEFITS

- Available in our Dura Tech™ 5000 and Dura Tech™ *mx* colors, which are Energy Star listed cool colors formulated to help reduce the demand for energy.
- Limited Lifetime Warranty for residential applications.
- Recommended minimum slope of 2:12. Inquire for slopes below 2:12.
- Factory notching available for turn under at the eave (some limitations apply). Notch provides a clean detail and reduction in labor.
- A snap-on panel requiring no field seaming, and comes standard with factory applied sealant in the female leg for reduced field labor and ease of installation.
- Tested for air infiltration per ASTM E1680, water infiltration per ASTM E1646, and wind uplift per ASTM E1592.
- Product is UL Class A Fire Rated when installed in accordance with UL requirements.
- Panel evaluated by accredited third party. All structural performance data is contained within an IBC/IRC code compliance report.



Factory notch allows panel to be field turned down with clean, uniform detail.

DESIGN SPAN[®] hp

Cool DURA TECH[®] 5000

These Energy Saving Cool Colors keep the Heat Out and the Color Brilliant.

- Superior color retention and resistance to chalk and fade.
- Dura Tech 5000 energy saving COOL colors reduce the demand for energy.
- Premium paint system ideal for residential applications.

ZINCALUME [®] Plus SRI: 64 • 24ga	Cool Regal White SRI: 88 • 24ga	Cool Parchment SRI: 58 • 24ga	Cool Sierra Tan SRI: 55 • 24ga
Cool Pebble SRI: 48 • 24ga	Cool Walnut SRI: 38 • 24ga	Cool Weathered Copper SRI: 34 • 24ga	Cool Dark Bronze SRI: 32 • 24ga
Cool Terra-Cotta SRI: 41 • 24ga	Cool Colonial Red SRI: 35 • 24ga	Cool Old Town Gray SRI: 43 • 24ga	Cool Zinc Gray SRI: 39 • 24ga
Cool Slate Gray SRI: 33 • 24ga	Cool Midnight Bronze SRI: 27 • 24ga	Cool Matte Black SRI: 29 • 24ga	Cool Tahoe Blue SRI: 33 • 24ga
Cool Regal Blue SRI: 29 • 24ga	Cool Sage Green SRI: 41 • 24ga	Cool Leaf Green SRI: 30 • 24ga	Cool Forest Green SRI: 29 • 24ga

Cool DURA TECH[®] mx

Energy Savings in long lasting Cool Metallic Colors

Cool Silversmith* SRI: 58 • 24ga	Cool ZACIQUE [®] II* SRI: 39 • 24ga	Cool Metallic Champagne* SRI: 54 • 24ga	Cool Metallic Silver* SRI: 65 • 24ga
Cool Metallic Copper* SRI: 53 • 24ga			

Note*
Metallic colors are subject to a price upcharge. Metallic coatings are batch sensitive and directional in nature. Minor differences in both color and appearance are normal and to be expected with metallic coatings, as it is virtually impossible to match one metallic coating to another. Due to the coil application process, striations and longitudinal patterning may also show on these products. To minimize the possible visual effects of the normal minor differences in paint and its application, an entire job should be painted at one time. Additionally, fabricated panels, flat sheets, and flashings should be orientated in the same direction for installation.

REPRESENTATION OF COLORS MAY VARY DUE TO PRINTING LIMITATIONS.

Sample color chips are available upon request. Consult your ASC Building Products representative for more information.

SRI=Solar Reflective Index. SRI values in accordance with ASTM E1980 and are based on independent testing. Cool Roof Rating Council (CRRC) performance values (for CA Title 24, Energy Star) are based on color families and will differ from those listed above. Please visit www.aepsan.com for additional information.



Oil Canning

All flat metal surfaces can display waviness commonly referred to as "oil canning." "Oil canning" is an inherent characteristic of steel products, not a defect, and therefore is not a cause for panel rejection.



ASC Building Products is Proudly Distributed by: