



Skyline Roofing®

Installation, Flashings, & Details Guide



BLANK

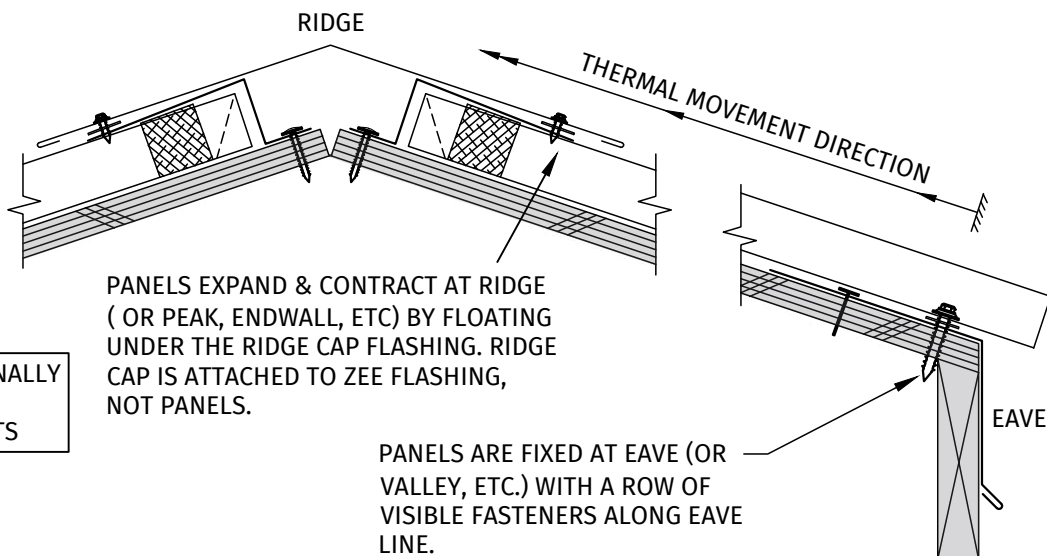
NOTE !!

This installation guide addresses two different installation methods. This guide is divided into two sections to cover both methods.

FIXED EAVE

INSTALLATION METHOD

METHOD TRADITIONALLY PROMOTED BY ASC BUILDING PRODUCTS



PANELS EXPAND & CONTRACT AT RIDGE (OR PEAK, ENDWALL, ETC) BY FLOATING UNDER THE RIDGE CAP FLASHING. RIDGE CAP IS ATTACHED TO ZEE FLASHING, NOT PANELS.

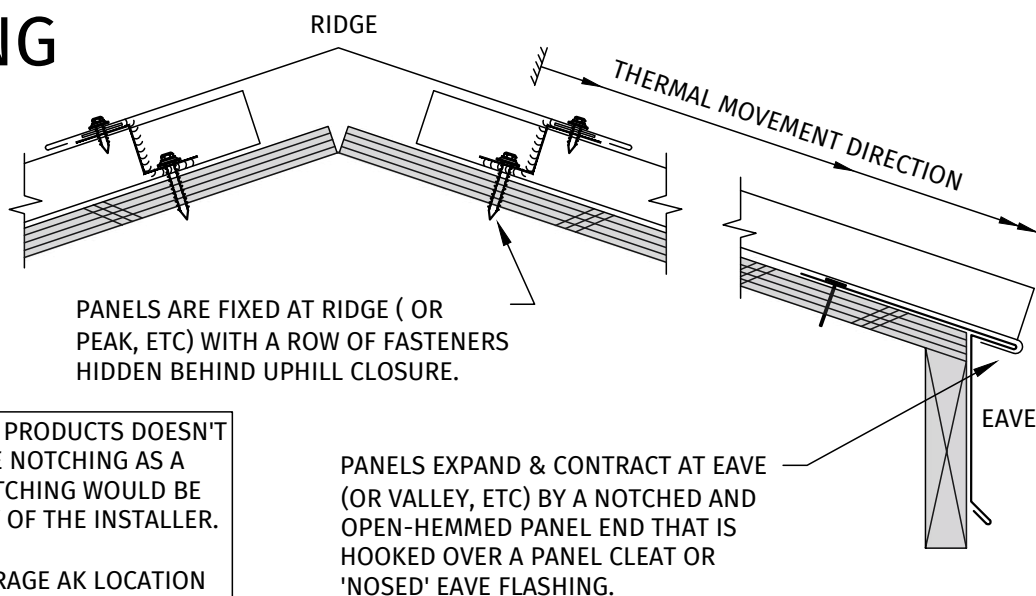
PANELS ARE FIXED AT EAVE (OR VALLEY, ETC.) WITH A ROW OF VISIBLE FASTENERS ALONG EAVE LINE.

FLOATING EAVE

INSTALLATION METHOD

NOTE: ASC BUILDING PRODUCTS DOESN'T CURRENTLY PROVIDE NOTCHING AS A SERVICE. PANEL NOTCHING WOULD BE THE RESPONSIBILITY OF THE INSTALLER.

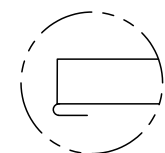
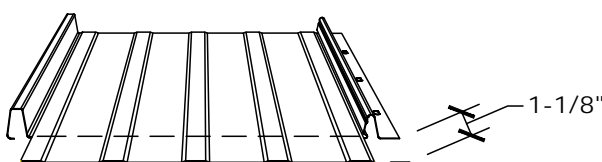
[EXCEPTION: ANCHORAGE AK LOCATION OFFERS NOTCHING AS AN OPTION]



PANELS ARE FIXED AT RIDGE (OR PEAK, ETC) WITH A ROW OF FASTENERS HIDDEN BEHIND UPHILL CLOSURE.

PANELS EXPAND & CONTRACT AT EAVE (OR VALLEY, ETC) BY A NOTCHED AND OPEN-HEMMED PANEL END THAT IS HOOKED OVER A PANEL CLEAT OR 'NOSED' EAVE FLASHING.

NOTCHED & REMOVED PANEL LEGS (BY INSTALLER)



TURN UNDER THE NOTCHED PANEL END

Table of Contents

General

Introduction.....	4	Roof Preparation	7-8
Delivery, Handling and Storage	5	Map of Typical Roof Conditions	9
Safety Considerations	5	Flashing Summary	10
Skyline Roofing Panel.....	6	Fastener Selection.....	11
Recommended Tools & Equipment.....	6		

Fixed Eave Installation Details

Panel Installation.....	12-13	Sidewall Flashing	28-30
Hip/Ridge Flashing.....	14	Endwall Flashing	31
Vented Ridge Flashing.....	15-16	Vented Endwall Flashing.....	32
Valley Flashing.....	17-18	Slope Transition - High to Low Slope.....	33
Eave Flashing	19-20	Slope Transition - Low to High Slope.....	34
Eave with Gutter	21	Chalet Gable Flashing	35
Gable Flashing	22	Adjustable Gable Flashing	36
Gable/Ridge Transition	23	Knee Cap Flashing.....	37
Gable Corner at Eave	23	Vent Flashing.....	38
Gable Flashing Preparation at Eave.....	24	Skylight Flashings.....	39-43
Gable Flashing Preparation at Ridge.....	25	Chimney Flashings	44-46
Peak Flashing.....	26	Valley Top End.....	47
Vented Peak Flashing	27	Valley Dormer.....	48

Floating Eave Installation Details - See next page.

For additional installation visuals, please check out the Skyline Roofing Installation video on our website at:
www.ascbp.com/products/skyline-roofing/



Table of Contents, Continued

Floating Eave Installation Details

Panel Installation.....	49-50	Vented Peak Flashing	65
Hip/Ridge Flashing.....	51	Sidewall Flashing	66-68
Vented Ridge Flashing (fire rated).....	52, 54	Endwall Flashing	69
Vented Ridge Flashing (fire rated).....	53	Vented Endwall Flashing.....	70
Valley Flashing.....	55-56	Slope Transition - High to Low Slope.....	71
Eave Flashing	57-58	Slope Transition - Low to High Slope.....	72
Eave with Gutter	59	Chalet Gable Flashing	73
Gable Flashing	60	Adjustable Gable Flashing	74
Gable/Ridge Transition	61	Vent Flashing.....	75
Gable Corner at Eave	61	Skylight Flashings.....	76-80
Gable Flashing Preparation at Eave.....	62	Chimney Flashings	81-83
Gable Flashing Preparation at Ridge.....	63	Valley Top End.....	84
Peak Flashing.....	64	Valley Dormer.....	85

Appendix

Appendix Cover Page.....	86	Inside Corner Flashing	89
Typical Flashing Lap	87	Base Trim Flashing.....	90
Outside Corner Flashing	88	"C" Trim Flashing / Soffit.....	91

INTRODUCTION

In addition to weather tightness, long life and good looks, ASC Building Products' Skyline Roofing is designed with ease of installation as a primary consideration. This guide is intended to help the installer achieve a high level of quality in the finished product. For additional visuals, please refer to our Skyline Roofing Installation Video available online at www.ascbp.com.


Please do not hesitate to contact an ASC Building Products' representative for additional assistance.

Manufacturing Locations:

West Sacramento, California
2110 Enterprise Boulevard
West Sacramento, CA 95691

Salem, Oregon
4063 Salem Industrial Drive NE
Salem, OR 97303
Customer Service Center
800-272-7023 • 503-390-7174

Spokane, Washington
4111 East Ferry
Spokane, Washington 99202
Customer Service Center
800-776-8771 • 509-536-4097

 IBC/IRC Building Code Compliance Report:
Evaluation Report #ER-0309



IMPORTANT NOTICE

Be sure to read this manual in its entirety before beginning installation.

This manual is provided to the customers of ASC Building Products as a guide to assist in the installation of Skyline Roofing. Use for any other purpose is prohibited. This manual remains the property of ASC Building Products.

These instructions contain suggested application procedures only and cannot replace the need for good common sense and experience. Responsibility for conformance to state and local building codes, as well as any other applicable project requirements rests with the installer, as does the responsibility to observe reasonable safety procedures.

Certain panel and flashing conditions such as panel overhangs, gutters, rake trim, etc., are easily damaged if a ladder is leaned against them. Care should be taken to avoid this.

ASC Building Products assumes no responsibility for any problems which might arise as a result of improper installation or any personal injury or property damage that may occur with the product's use.

Notes:

- It is recommended that Skyline Roofing be applied on roofs with a minimum 3:12 slope.
- Panels exceeding 40' in length must be fastened using the Skyline Roofing clip. Thru-fastening these longer length Skyline Roofing panels is not recommended. For applications requiring the Skyline Roofing clip and also exceed 20 psf of snow load, please contact an ASC Building Products' Representative for installation assistance.
- Each trim or flashing in this guide has been assigned a part number. Each part number contains one or two letters followed by one or two numbers (example: EW17). These part numbers have been provided to make ordering these trims and flashings quick and easy.
- To prevent mis-alignment of fasteners and "walking" drill bits, it may be advisable to pre-drill certain flashings before they are installed.

DELIVERY, HANDLING AND STORAGE

- Always check the shipment upon delivery. Check for damage and check material quantities against the shipping list. Note any damaged material or shortages at the time of delivery.
- Handle panel bundles and individual panels with care to avoid damage. Longer bundles and panels may require two or more “pick points,” spaced no farther than 10’ apart, to avoid damage that can result from buckling and/or bending of the panels.
- Store the panels and other materials in a dry, well ventilated area and away from traffic. Elevate one end of the bundle so that any moisture that may have accumulated during shipping can run off. Be sure that air will be able to circulate freely around the bundles to avoid the build-up of moisture. Never store materials in direct contact with the ground.

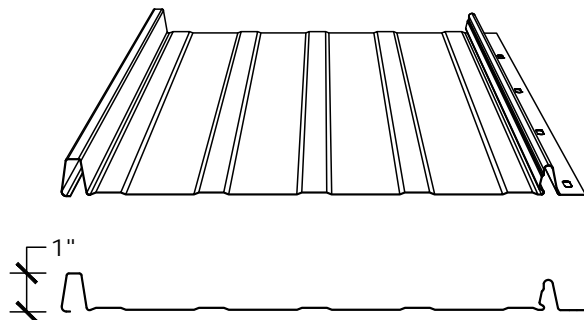
Note: Excessive storage periods or poor storage conditions often result in water intrusion. Prolonged exposure to wet conditions can cause paint blistering and galvanized substrate corrosion or staining in as little as two weeks.

- Painted panels are shipped with a protective plastic sheeting or a strippable film coating between all panels. Remove any strippable film coating prior to installation and in any case, **do not allow the strippable film coating to remain on the panels in extreme heat, cold, or in direct sunlight or other UV source.**
- Wear clean cotton gloves when handling unpainted bare panels or flashings to avoid discoloration. Roll forming die marks (which appear black), particularly at bends, will be visible.
- Wear clean, non-marking, soft soled shoes when walking on the panels to avoid shoe marks or damage to the finish. Do not step on the panel seams or ribs. Step only in the flat area of the panel.

SAFETY CONSIDERATIONS

- Never use unsecured or partially installed panels as a working platform.
Do not walk on panels until they are in place on the roof and all of the fasteners attaching the panels to the roof have been installed.
- **Metal roofing panels are slippery when wet, dusty, frosty or oily.**
Do not walk on a metal roof when any of these conditions are present. Wearing soft soled shoes will help minimize slipping and help prevent damage to the painted surfaces.
- **Do not walk on the panel seams.**
When walking on the fully installed roof panels, be sure to step only in the flat areas of the panels.
- **Always be aware of your position on the roof relative to your surroundings.**
Take note of the locations of roof openings, roof edges, equipment, co-workers, etc.
- **Always wear proper clothing and safety attire.**
Wear proper clothing when working with sheet metal in order to minimize the potential for cuts, abrasions, and other injuries. ASC Building Products recommends safety glasses and gloves.
- **Use care when operating electrical and other power equipment.**
Observe all manufacturer’s safety recommendations.
- **Roof installation on windy days can be dangerous.** *Avoid working with sheet metal products on windy days.*

SKYLINE ROOFING PANEL PROFILE



16" Coverage (12" Optional)

Important Note:

At completion of each day's work and at completion of roof installation, sweep panels, flashings, and gutters clean. Take special care not to sweep metal shavings down into the gutters. Do not allow fasteners, cuttings, filings, or scraps to accumulate.

Use only those accessories specifically designed for use with this product. Use only galvanized or Zincalume coated flashings. Isolate roofing and flashings from contact with dissimilar metals.

Note: All flat metal surfaces can display waviness commonly referred to as "oil canning". This is caused by steel mill tolerances, variations in the steel substrate and roofing underlayments. Oil canning is an inherent characteristic of flat steel products, not a defect, and therefore is not a cause for panel rejection.

Available Products:

Coverage	Gauge	Weight (lb/ft ²)
16"	26	0.9
16"	24	1.2
12"	26	1.0

MINIMUM RECOMMENDED TOOLS & EQUIPMENT

Screws/Screw bits: Clutch type screw gun with depth locating nose piece allowing variable torque settings is recommended to insure proper installation of the screws. The following bits will be required: 1/4" hex and No. 2 Phillips screwdriver bit.

Snips: For miscellaneous panel and flashing cutting requirements. Three pairs will be required for left edge, right edge, and centerline cuts.

Electrical Metal Shears or Nibblers: Used for general metal cutting, such as at the hips and valleys.

Chalk Line: Used to assist in the alignment of panels, flashings, etc.

Caulking Gun: For miscellaneous caulking and sealing to inhibit water infiltration.

Rivet Tool: Used for miscellaneous flashing and trim applications.

Turn-Up Tool: Available from ASC Building Products, the tool is used to hand brake the ends of the panels as indicated within the installation details.

Marking Tools: Indelible marker or scratching tools. Scratch Awl: Used to mark the steel.

Utility Knife: Used for miscellaneous cutting.

Electric Drill: Used to drill holes such as those required for rivet installation.

String Line: Used for general alignment and measuring.

Tape Measure: 25 ft. minimum (another 50 ft. handy).

Locking Pliers: Standard and "Duckbill" style for miscellaneous clamping and bending of parts.

Hammer: Used with roofing nails to fasten flashings.

Note: Some installers prefer to use circular power saws with metal cutting abrasive blades. While the use of power saws may be faster, there are some disadvantages that must be considered: (1) The edges of metal that have been saw cut are jagged and unsightly, and are more likely to rust than sheared edges. (2) Saw cutting will leave small particles of metal on the panel surface that will rust and damage the panel finish if not completely removed.

ROOF PREPARATION

ASC Building Product's Skyline Roofing can be used in both new construction and retrofit roofing applications. Skyline Roofing must be installed over a continuous rigid substrate such as plywood, or OSB. All substrates must be complete, accurately sized and located, in true plane, secure and otherwise properly prepared. Contact ASC Building Products for additional information .

The following steps need to be taken to prepare the roof for installation of Skyline Roofing panels:

New Roofs:

1. Make sure there are no nails or other objects protruding from the substrate that might puncture the underlayment or the roof panels. Clean all debris from the roof.
2. Check all details for possible roof penetrations which must be added to the deck prior to roof panel installation.
3. Cover the entire roof deck with minimum 30 lb. asphalt saturated felt paper. Some synthetic underlayments may be used in place of felt with ASC Building Products' Skyline Roofing. Installer must ensure they meet the minimum standards of 30 lb felt and that the underlayment manufacturer has approved them for use with metal roofing. (Check with an ASC Building Products representative if project is in snow country). For Class A fire resistance, see notes below. For installation, begin at the eave and roll the underlayment horizontally (parallel to the eave). Allow each consecutive course to overlap the previous one 3". Overlap the ends a minimum of 6" when starting a new roll of underlayment. (See Figure 1). Areas of underlayment that have torn should be replaced or repaired prior to installation of the metal roof.

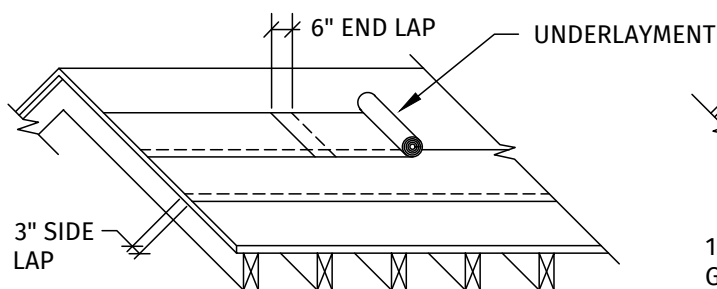


Figure 1

Constructions Requiring Class 'A' Fire Resistance:

Panel: ASC Building Products' Skyline Roofing steel roof panels.

Barrier Sheet (one of the following):

- GAF VersaShield Underlayment
- Polyglass Polystick XFR
- Georgia-Pacific DensDeck Roofboard

Additional Ply Sheet (optional): Any UL-classified *Type G1, G2 or G3 base/ply sheet, Type 15, 20 or 30 felt or UL-classified prepared roofing accessory or ASC Building Products' "AEP Span Underlayment HT"*

Substrate: 15/32" min. plywood or OSB.

Notes:

- Obey all local code requirements.
- Class A assembly requirements noted above per UL listing #TGFU.R21182. Refer to UL listing for specific construction limitations.

4. Place an alignment line along the gable end where the first roof panel will be installed. THIS LINE MUST BE LOCATED 1/4" IN FROM THE GABLE EDGE OF THE ROOF DECK AND SQUARE WITH THE EAVE LINE (See Figure 2). Various methods exist for insuring that the line is square. Call your ASC Building Products representative if you need assistance.

Note: Check with the underlayment supplier for specific installation and handling instructions. Over exposure to the environment may cause buckling of the underlayment resulting in an objectionable appearance of the installed roof.

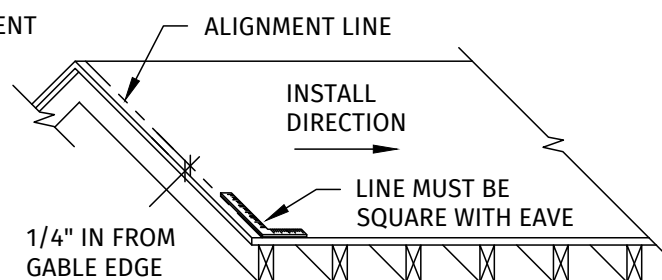


Figure 2

EXISTING ROOFING:

Some jurisdictions will allow reroofing over existing roofing without the need for tearoff. Check with your local codes or building department for your specific requirements.

For best results, Skyline Roofing requires a smooth and flat substrate. Application over rough and/or uneven surfaces is not recommended. If the roof is to be stripped down to the existing decking, follow the procedure for new roofs.

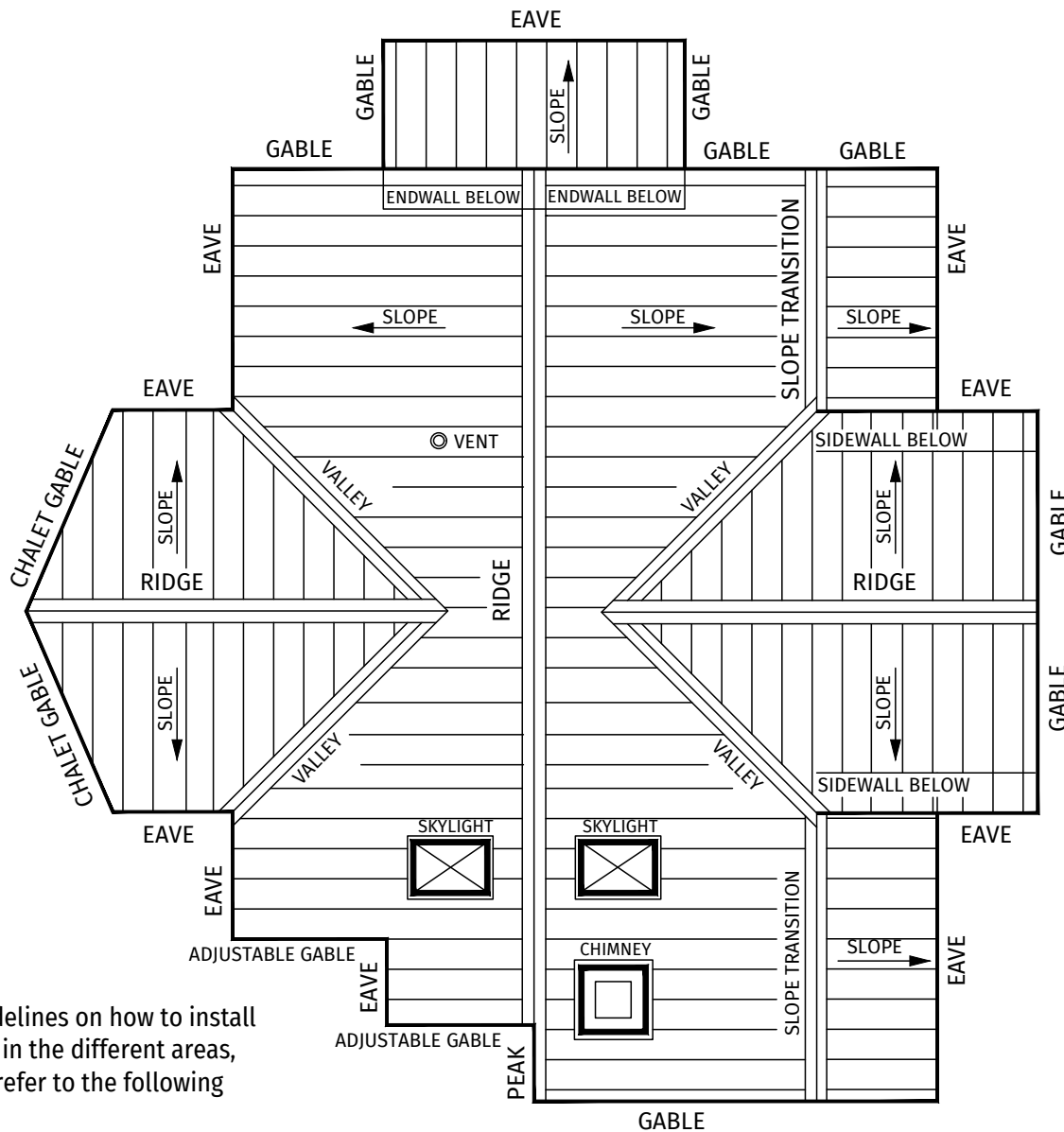
Be sure to check the existing roof and repair any damaged areas prior to installation of the new roof system.

Note: Do not apply Skyline Roofing over roofs with structural damage or trapped moisture.

The following steps should be taken when installing ASC Building Products' Skyline Roofing over existing roofing:

1. Inspect the roof for damage and make the necessary repairs to achieve a flat plane for the metal roof panels.
2. Secure any warped or loose roofing.
3. Make sure that there are no nails or other objects protruding from the roof that might puncture the new underlayment or the new roof panels.
4. Remove all moss and other debris from the roof.
5. Cut off any overhanging roofing flush with the roof deck and remove all hips, ridge caps, and penetration flashings.
6. Follow the directions on previous page for roof preparation.

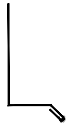
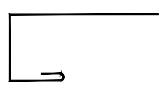
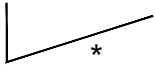
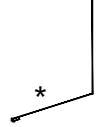
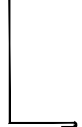
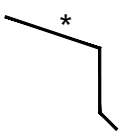
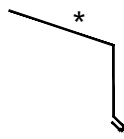
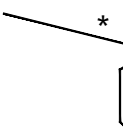
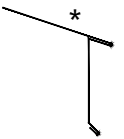
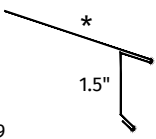
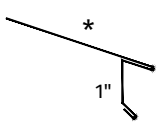

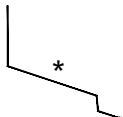


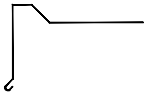
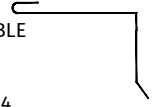
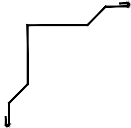
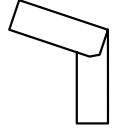
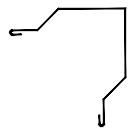
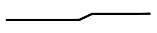
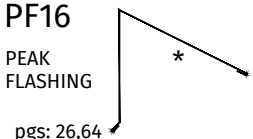
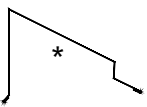
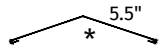


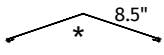

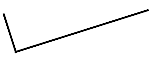
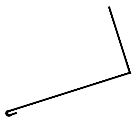

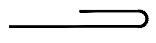

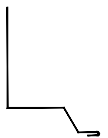
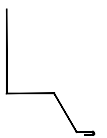
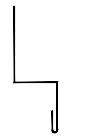


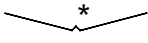
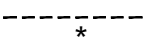
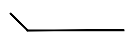

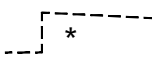
Map of Typical Roof Conditions



For guidelines on how to install Skyline in the different areas, please refer to the following pages:



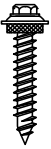


Detail	Fixed Eave	Floating Eave	Flashing	Fixed Eave	Floating Eave
	Install Method	Install Method		Install Method	Install Method
	Page(s)	Page(s)		Page(s)	Page(s)
Adjustable Gable	36	74	Sidewall	28-30	66-68
Chalet Gable	35	73	Skylight	39-43	76-80
Chimney	44-46	81-83	Valley	17-18	55-56
Eave	19-20	57-58	Vent	38	75
Endwall	31-32	69-70	Peak (not shown)	26-27	64-65
Gable	22-25	60-63	Slope Transition	33-34	71-72
Gutter	21	59	Ridge & Hip	14-15	51-53

Flashing Summary

B16 BASE  pgs: 90	C16 'C' TRIM  pgs: 91	CH16 UPHILL TRIM  pgs: 46,83	CH17 DOWNHILL TRIM  pgs: 46,83	CH18 SIDE FLASHING  pgs: 45,82
E16 EAVE  pgs: 19,21	E17 EAVE  pgs: 19	E18 EAVE  pgs: 19	E19 EAVE  pgs: 57	E21 BASE  1.5" pgs: 57,59
E22 EAVE  1" pgs: 57	EW16 ENDWALL  pgs: 31,69	EW17 VENTED ENDWALL  pgs: 32	G16 GABLE TRIM (>40FT)  pgs: 22,60	G17 GABLE TRIM (<40FT)  pgs: 22,60
G18 CHALET GABLE  pgs: 35,73	G5 ADJUSTABLE GABLE  pgs: 36,74	IC16 INSIDE CORNER  pgs: 89	K16 KNEE CAP  pgs: 37	OC16 OUTSIDE CORNER  pgs: 88
OL41 PANEL CLEAT  pgs: 55,71,72,73,77,83	PF16 PEAK FLASHING  pgs: 26,64	PF18 VENTED PEAK FLASHING  pgs: 27,65	R16 RIDGE CAP  5.5" pgs: 14,51	R17 VENTED RIDGE CAP  pgs: 15,52
R18 RIDGE CAP  pgs: 14,51	R41 RIDGE CAP  8.5" pgs: 53	RG16 REGLET  pgs: 45,46,82,83	SK16 SKYLIGHT UPHILL  pgs: 40,77	SK17 SKYLIGHT DOWNHILL  pgs: 41,78
SK18 SKYLIGHT SIDE  pgs: 39,76	SS1 STARTER STRIP  pgs: 36,74	SS2 HOOK TRIM  pgs: 29,67	SW16 SIDEWALL FLASHING  pgs: 28,46	SW17 SIDEWALL FLASHING  pgs: 28,66
SW18 SIDEWALL FLASHING  pgs: 29,67	TR16 TRANSITION HI-LO  pgs: 33,71	TR17 TRANSITION LO-HI  pgs: 34,72	V16 VALLEY  pgs: 17,55	VS17 VENT STRIP  pgs: 52,70
WS18 WEATHER STOP  pgs: 52,70	Z17 ZEE, SOLID  pgs: 14,26,31,33,34	Z18 ZEE, VENTED  pgs: 15,27,32		

* - ROOF PITCH REQUIRED WHEN ORDERING

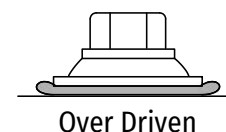
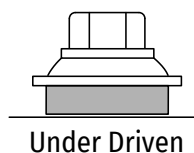
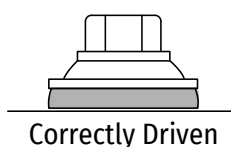
Fastener Selection

Fastener Locator	Description	Use
1	 <p>No. 8 x 1" Modified Truss Head Wood Screw</p>	Panel to wood deck or trim to wood attachments (unexposed)
2	 <p>No. 12 x 3/4" Stitch Screw</p>	Panel to panel or trim to panel attachments . May be used as an alternative to blind rivets
3	 <p>No. 14 x 1" (or 1-1/2") Metal-to-Wood Screw</p>	Panel to wood deck at valleys, eave start panel at gable attachments, and endlaps (exposed)
4	 <p>Stainless Steel Rivet 1/8" x 1/8"</p>	Trim to trim attachments (lapped joints)
5	 <p>No. 10 x 1" Pancake Head Wood Screw</p>	Use when fastening panel to wood deck for increased wind uplift resistance (unexposed).

Notes:

- The table above shows the fasteners required for Skyline Roofing. Refer to the panel installation and flashing details of this manual for specific screw usage and spacing.
- Panel attachment screws must be long enough to fully penetrate through the wood roof decking at least 3/8", or penetrate solid lumber at least one inch.
- All screws must be coated to provide protection against corrosion.
- Exposed fasteners must have sealing washers and should be the same color as the parts they attach.
- Roofing nails are also required, but are not furnished by ASC Building Products.
- Screws must be properly driven to ensure proper seal and holding strength. Do not underdrive or overdrive the screws.
- Stainless steel rivets are not watertight.

Proper Installation of Fasteners with Sealing Washers



Panel Installation - Fixed Eave Install. Method

GENERAL

Study the details section of this manual prior to the installation of the panels. Pay close attention to the following:

- Flashings that need to be installed prior to the panels include valley, eave trims, pre-hung gutters, chalet gable, adjustable gable, and penetration flashings for skylights, chimneys, etc.
- Some panels may require “turn-up” at the uphill end prior to their installation.
- Apply caulking to the pre-installed flashings per the instructions in the detail section of this manual.

Table 1: Panel Attachment & Outward (Wind Uplift) Load Capacities

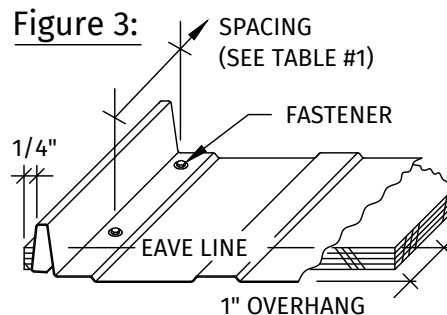
Panel Width	Panel Gage	Plywood / OSB Thickness Min. ¹	Fastener Size	Fastener Spacing ²	Basic Wind Speed Met (mph) ³ (IRC only)	Outward Wind Load Capacity (psf) ⁴ (IRC and IBC)
16"	26	15/32"	#8 or #10	22"	110	29
	26	15/32"	#8 or #10	11"	110	31
16"	24	15/32"	#8	22"	110	29
	24	15/32"	#10	22"	115	34
	24	15/32"	#8 or #10	11"	130	45
12"	26	15/32"	#8 or #10	22"	115	34
	26	15/32"	#8 or #10	11"	120	39

Notes:

1. Alternate substrate thicknesses have not been included as they don't provide greater outward wind load capacities. Inward gravity loads (snow, etc.) are also resisted by the substrate therefore substrate thickness must be evaluated to account for these inward loads.
2. Skyline Roofing panels utilize fastener mounting slots at 11" intervals.
3. Basic Wind Speed Met is based on 2021 International Residential Code (IRC) code provisions (IRC Section R301.2.1) using the following assumptions: Slope >2:12, Wind exposure =B, Mean roof height ≤ 30', No topographic effects. These values only apply to projects that fall under the 2021 IRC. For applications beyond the assumptions above, please refer to IRC Section R301.2.1 for necessary adjustments, or consult a design professional for assistance.
4. Outward Wind Load Capacities are taken from IAPMO-UES Building Code Compliance Report #ER-0309. For projects governed by the International Building Code (IBC), consult the Engineer of Record to determine if stated capacities meet or exceed the project's outward wind load requirements. The capacities stated in the table can also be used for IRC governed projects.

PROCEDURE FOR INSTALLING PANELS LESS THAN 40 FT. IN LENGTH

1. Align the female edge of the first panel with the alignment line constructed along the start gable (see pg. 7, item 4). Allow the panel to overhang eave 1" (Figure #3).
2. Check the uphill end of the panel (see corresponding detail for proper panel position). Make sure the female edge of the panel remains 1/4" from the gable and the overhang is 1" from the eave.
3. After the first panel is properly aligned, tack the gable end to the roof as in Figure #3. Then, fasten the panel along the male edge fastening flange. Refer to Table #1 for the fastener spacing.
4. Align the second panel female edge with the first panel male edge (Figure #4). Make sure the panels are flush with each other at eave edge. Note: the panels overhang the eave by 1".



5. Snap the panels together at the seam with light foot pressure. Work the seam together from the eave end toward the ridge. DO NOT work the seam from both ends toward the middle.
6. After locking the panel seam, fasten the panel to the roof utilizing the fastening flange along the male edge (Figure #4).

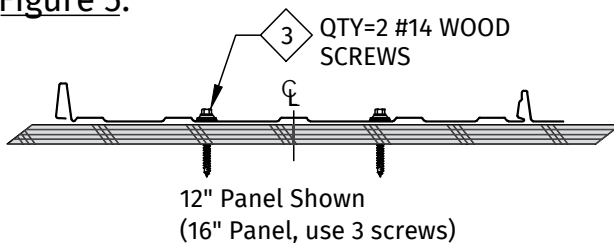
Panel Installation (continued)

7. Apply consecutive panels as in items #4 through #6 above.
8. Fasten the panels along the eave with #14 wood screws located along a straight line parallel to the eave and 3" up from the end of the panel. The fasteners should be evenly spaced (See Figure #5).

PANELS GREATER THAN 40 FT. IN LENGTH

1. Install eave flashing and fasten to the roof substrate. (See Eave Flashing details)
2. Align the female edge of the first panel with the alignment line constructed along the start gable (See pg. 6 item 4). Check the uphill panel position and allow the panel to overhang the eave 1".

Figure 5:



3. After the panel is aligned, fasten the panel along the eave with #14 wood screws in a straight line parallel to the eave and 3" up from the end of the panel (Figure #5).
4. Install the long length Skyline Roofing clip so that the formed edge rests against the male leg (See Figure #6). Make sure the clip is spaced every 24" O.C. along the panel.

Figure 6:

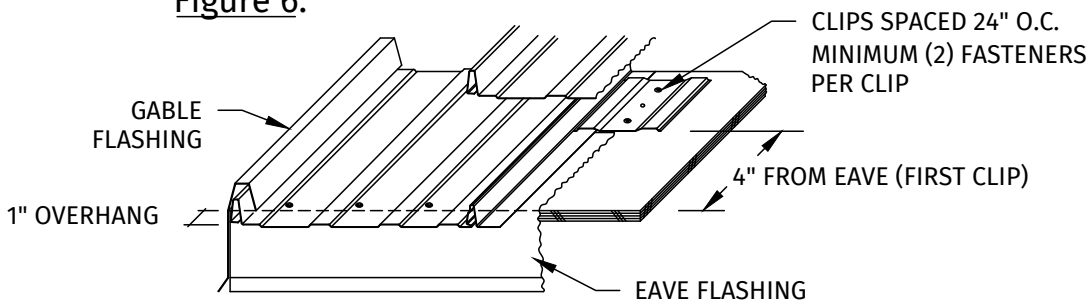
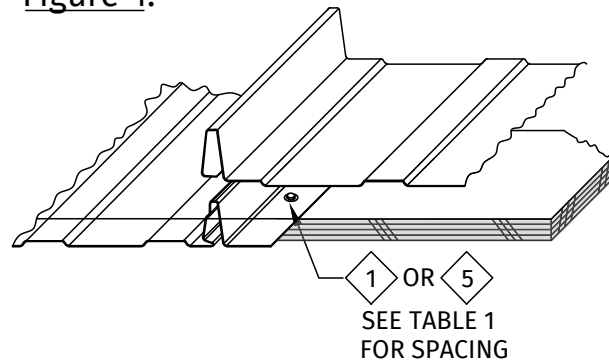


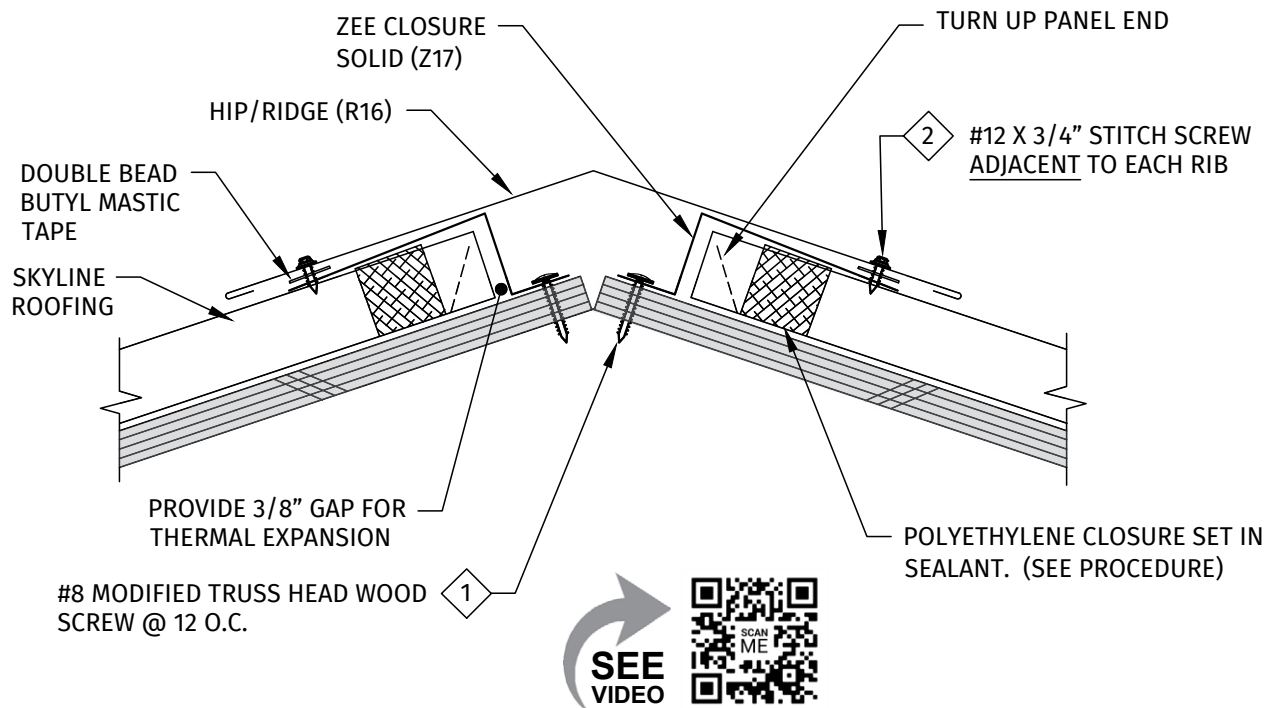
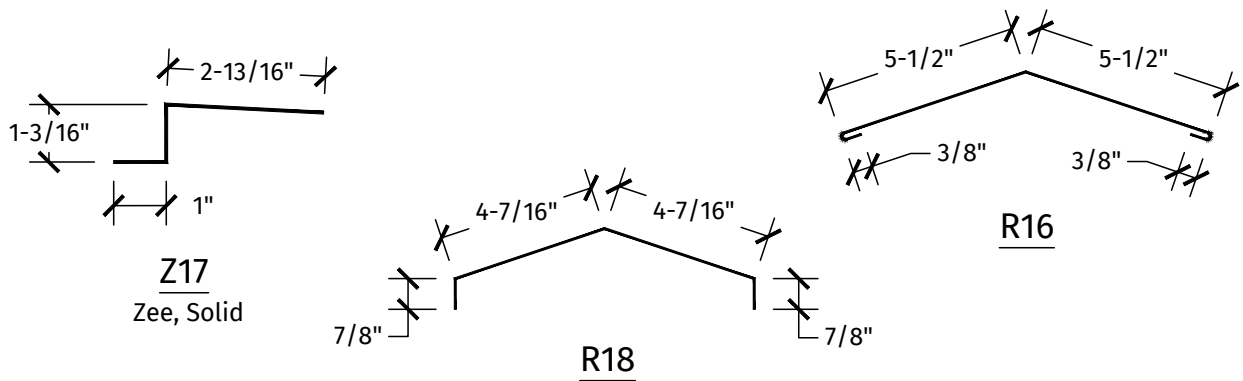
Figure 4:



5. Align the second panel female edge with the first panel male edge and make sure the panels are flush with each other at the eave edge.
6. Snap the panels together at the seam with light foot pressure. Work the seam together from the eave end toward the ridge. **DO NOT** work the seam from both ends toward the middle.
7. Apply consecutive panels following steps 3-6.
8. Install the gable flashings on both sides of the roof (Make sure the G16 flashing is used in both cases so that the panel is free to expand and contract. (See "Start and End Gable" Flashings Details for installation).

Hip/Ridge Flashing (non-vented)

FIXED EAVE DETAILS



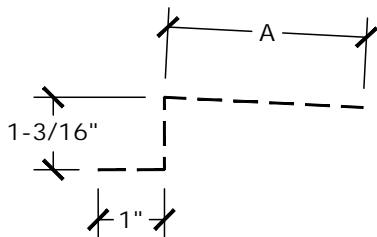
Procedure:

- Locate the panels down from the ridge as required. Provide space between the zee closure "Z17" and the end of the panel to allow for expansion of the panel. Check the overhang at the eave (see pg. 12).
- Turn up panel. Caulk the bottom and sides of the polyethylene closure. Set closure as shown in detail.
- Attach the zee closure "Z17"(solid) at the top edge of the roof parallel to the ridge.
- Fasten the hip/ridge flashing "R16" to the zee using #12 x 3/4" stitch screws (adjacent to the panel ribs).
- Caulk, lap and rivet sequential flashings (see appendix).

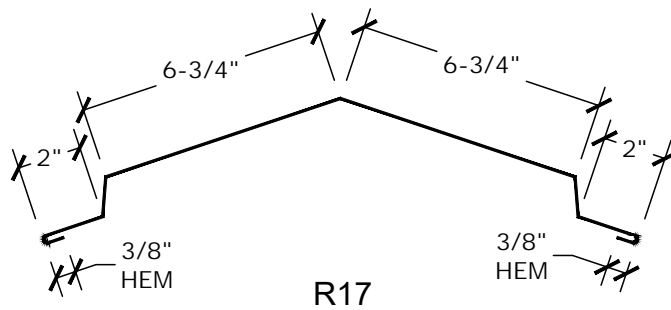
Note: "R16" is a standard ridge. A narrow ridge, "R18", is also available. If using narrow ridge, field notch with tin snips to fit over ribs. Attach "R18" to the zee closure with color-matched #12 x 3/4" stitch screws @ 12" O.C. adjacent to each panel rib.

Vented Ridge Flashing

THIS DETAIL MEETS WILDFIRE CODE REQUIREMENTS (IWUIC & CA SFM)



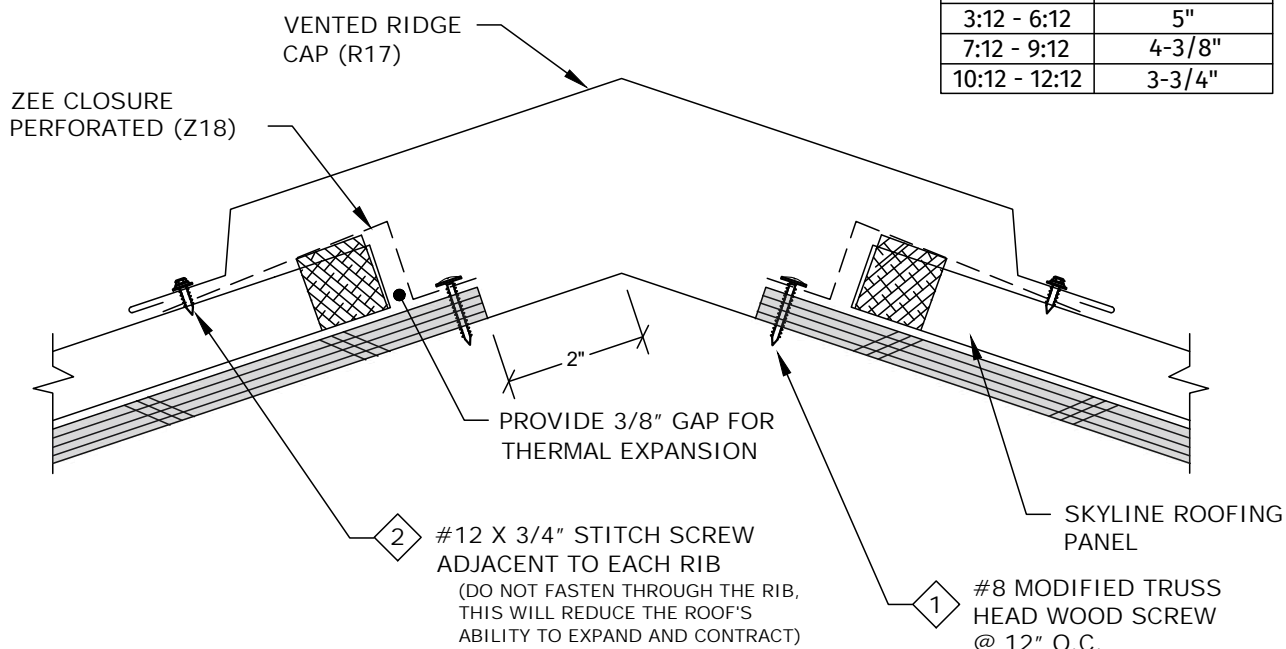
Z18
Zee, Perforated



R17

Z18

Roof Pitch	Dimension 'A'
3:12 - 6:12	5"
7:12 - 9:12	4-3/8"
10:12 - 12:12	3-3/4"



NET FREE VENTILATION AREA (NFVA)

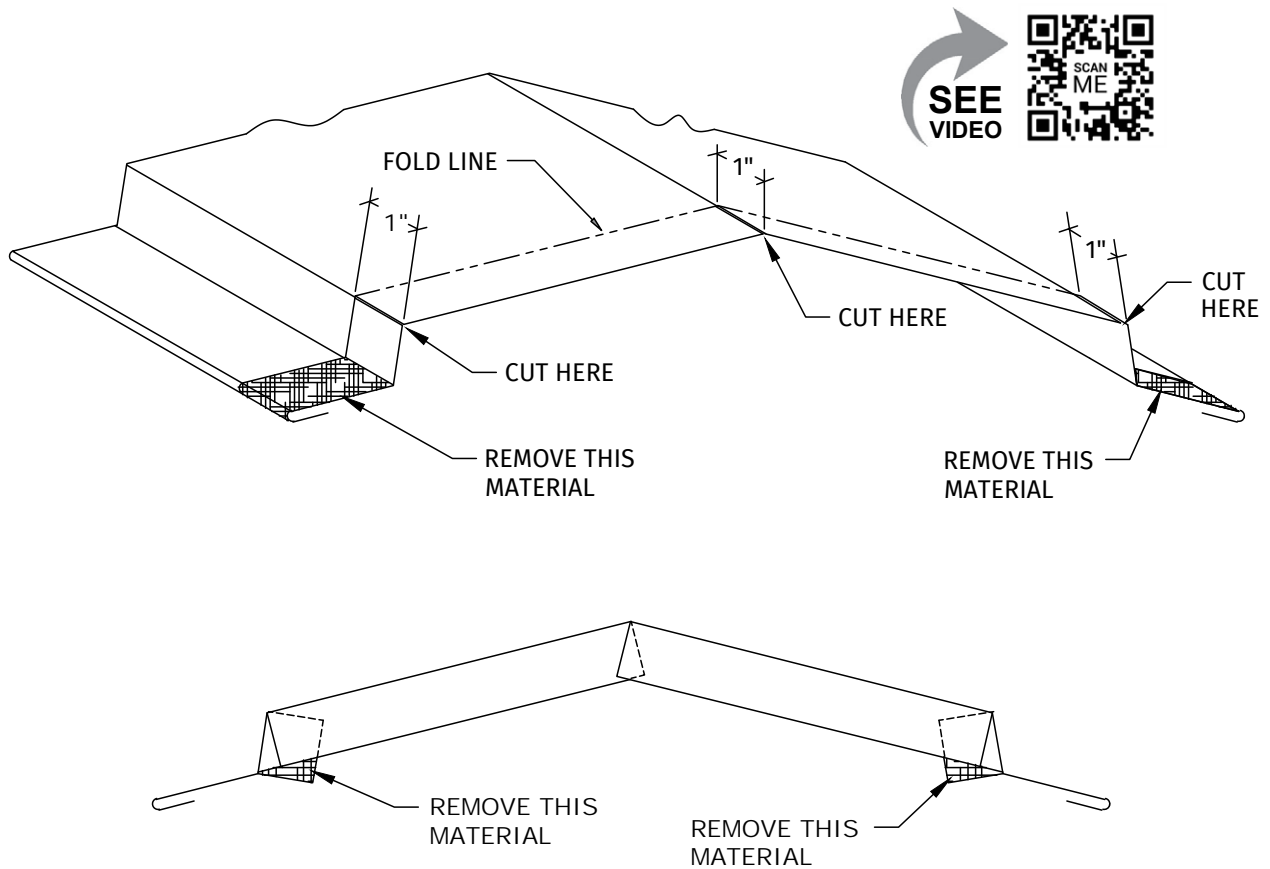
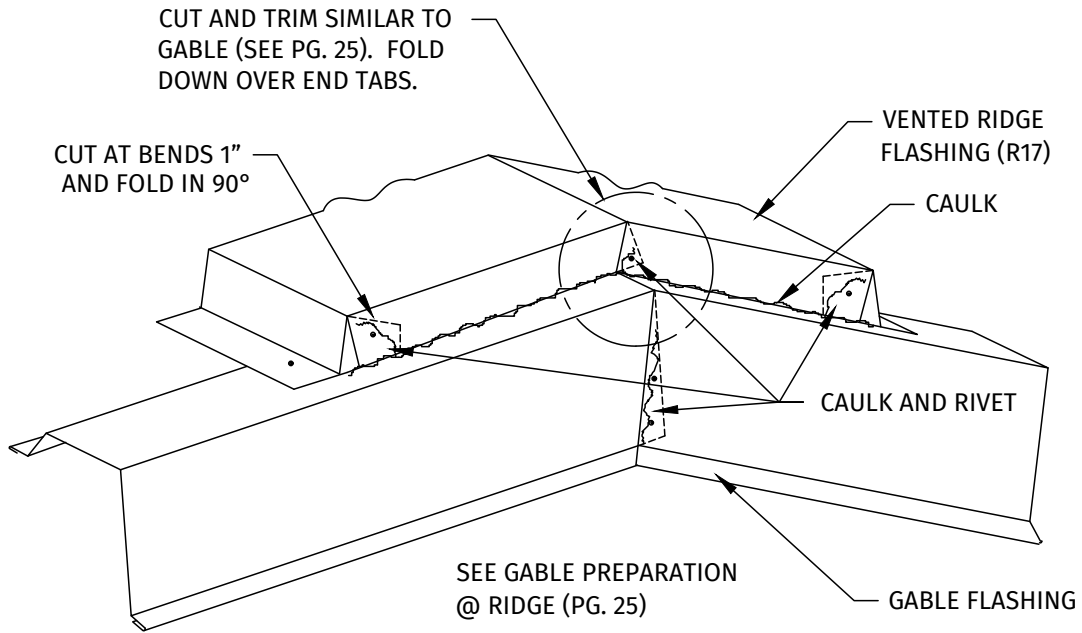
SLOPE:	1:12	2:12	3:12	4:12	5:12	6:12	7:12	8:12	9:12	10:12	11:12	12:12
NFVA (IN ² /LFT):	19.3	18.0	16.7	15.5	14.1	12.8	11.4	10.0	8.8	7.4	6.1	4.7

Procedure:

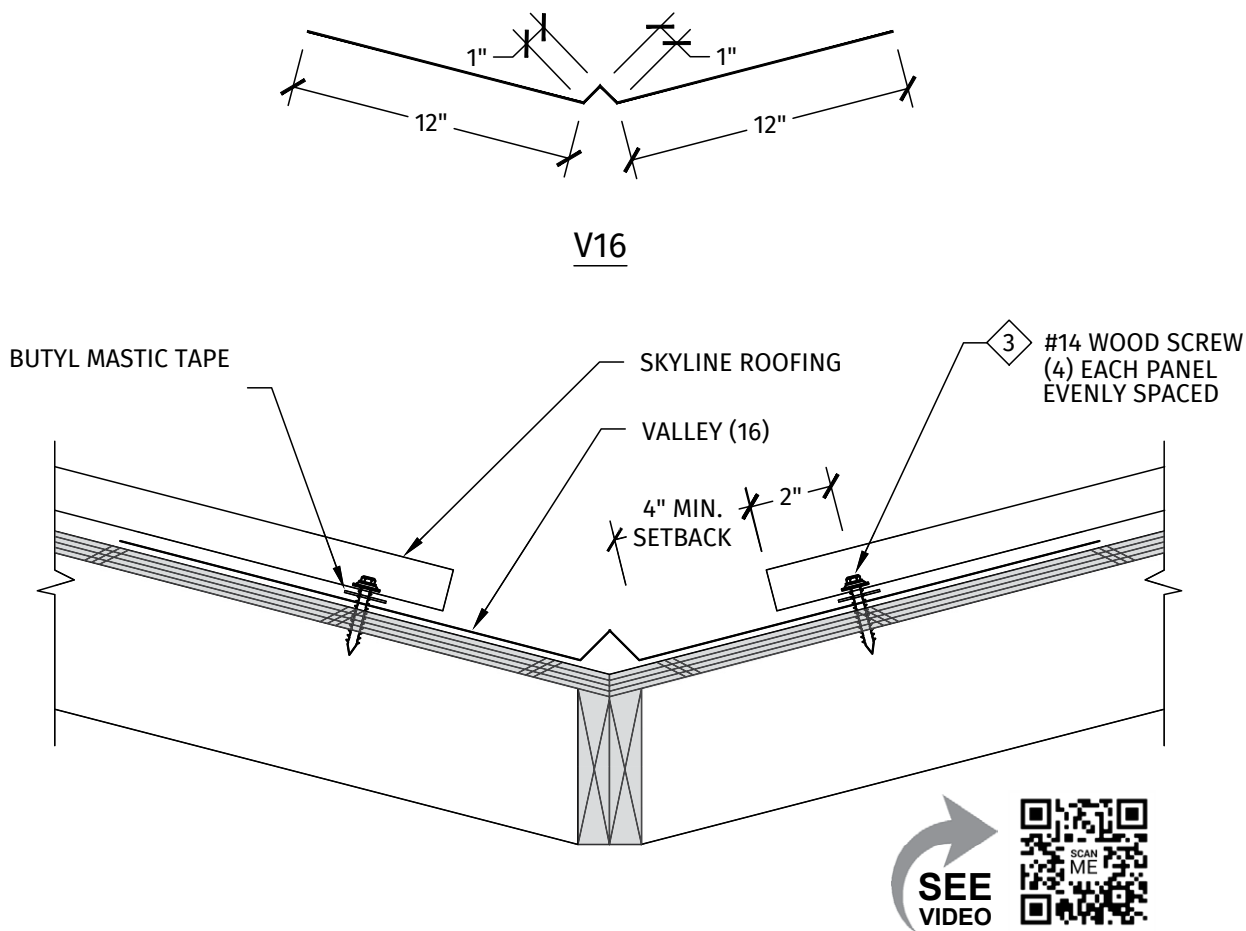
- Substrate should be held back 2" from each side of the ridge.
- Locate the panels down from the edge of the substrate as required. Provide space between perforated zee closure "Z18" and end of panel to allow for expansion of the panel. Check the overhang at the eave. (See pg. 12).
- Install foam panel closure at top end of panel. Secure and seal in place with polyurethane sealant.
- Attach the perforated zee closure "Z18" at the top edge of the plywood and parallel to the ridge.
- Fasten the vented ridge "R17" to the zee closure using #12 x 3/4" stitch screws. (Adjacent to the panel ribs).
- Caulk, lap and rivet sequential flashings. (See appendix).
- Close the ends of the ridge cap by slitting and folding material at each end, caulking joints, and fastening with rivets (see following page).

Vented Ridge Termination

FIXED EAVE DETAILS



Valley Flashing



Procedure:

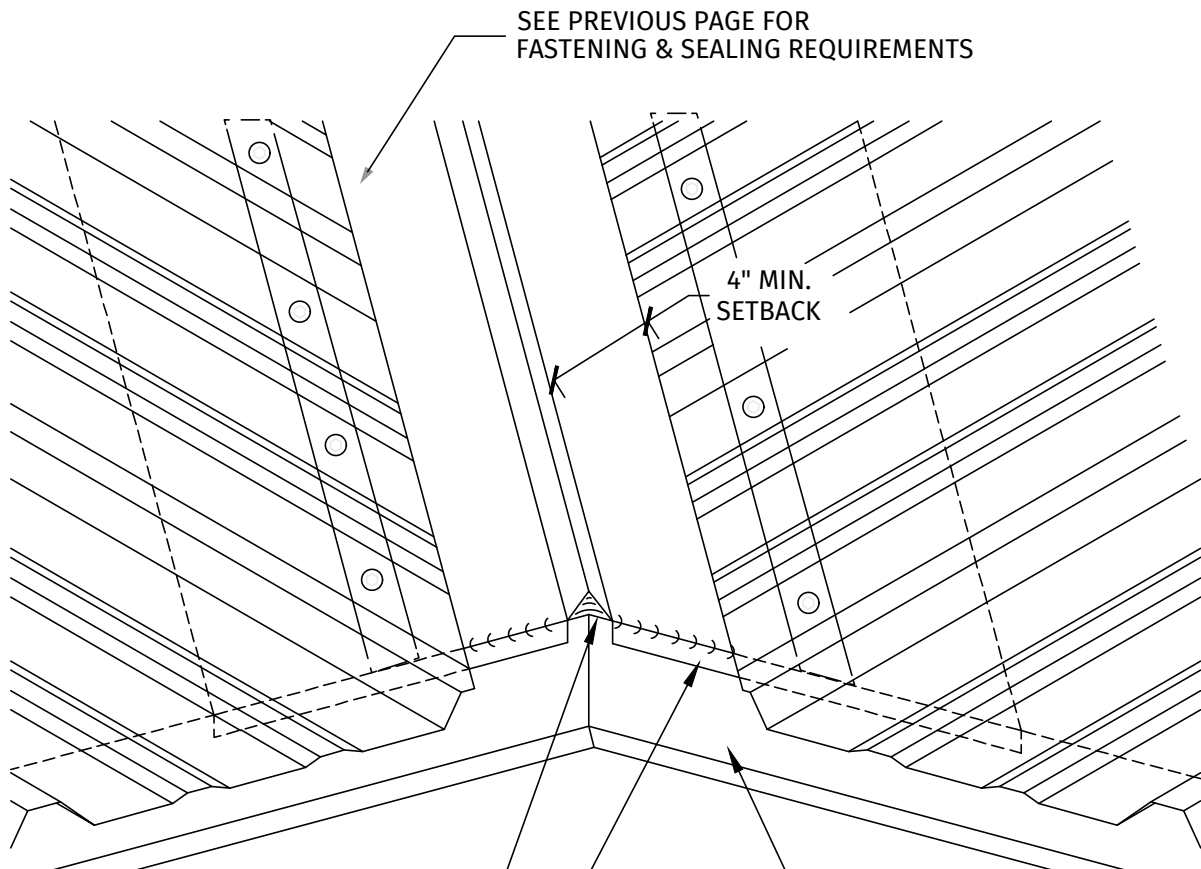
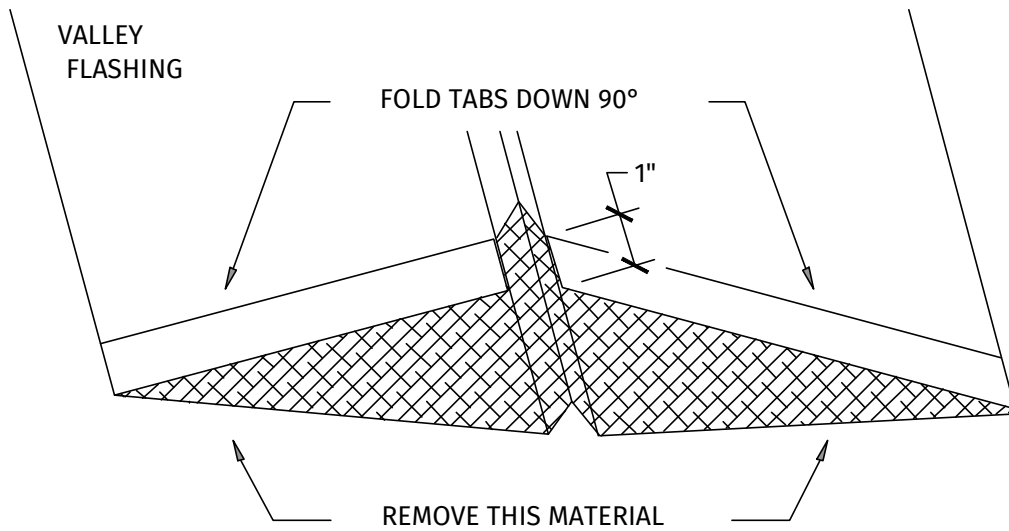
- Place a second layer of 36" roof felt in the valley center line with 18" of felt on each side.
- Starting at the low end, trim and place the valley flashing "V16" so it overhangs the eaves 1" (see following page).
- Caulk and over lap the subsequent valley flashings a minimum of 8".
- Parallel to the valley, place row of butylmastic tape spaced as shown.
- Field cut the panels holding a minimum of 4" back from the valley as shown. Larger valleys, without the center V, may be required in snow country installations.
- Fasten the panels to the substrate using (4) #14 wood screws, evenly spaced, insert 2" from the end of panel so they align with butyl mastic tape.

Note:

- Valley dimensions must be the proper width to account for slope, snow, ice and rain conditions. An underlayment such as a rubberized cold-applied membrane is recommended. The membrane is installed first, extending 3'-0" up from the center of the valley on each side, with felt overlapping the membrane.
- Refer to applicable building codes to ensure roof valley construction meets code requirements. Certain jurisdictions, like wildfire prone areas, may require different construction methods or materials.

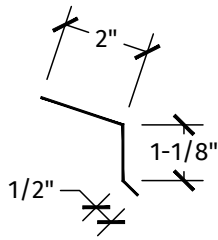
Valley Termination

FIXED EAVE DETAILS

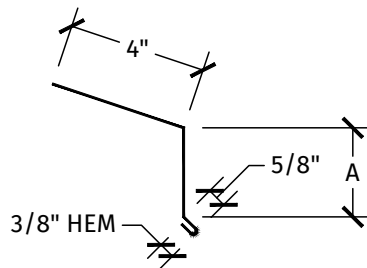


Eave Flashing

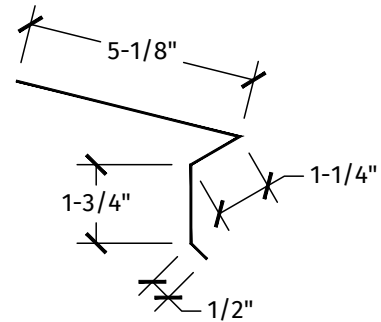
Note: This flashing must be installed prior to the panels.



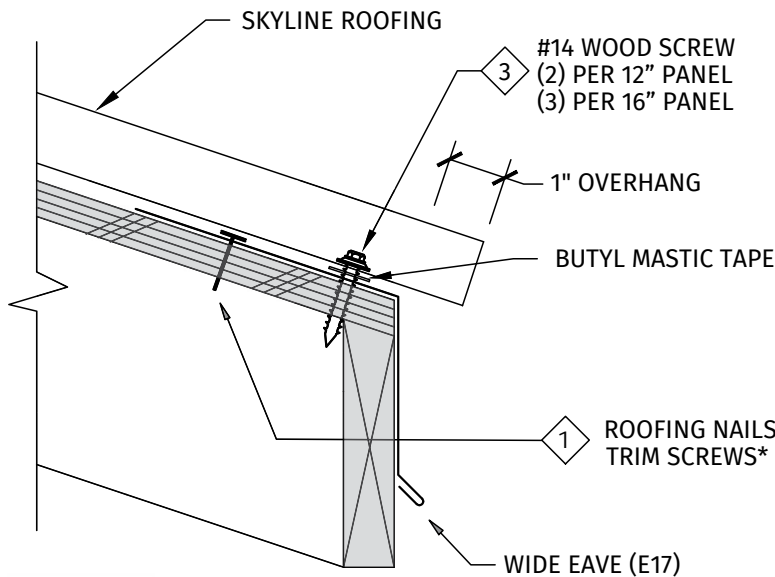
E16
(See Note)



E17



E18
(See Note)



Roof Pitch	Dimension 'A'
3:12 - 5:12	3-1/8"
6:12 - 7:12	3-3/8"
8:12 - 9:12	3-5/8"
10:12 - 12:12	4"

Procedure:

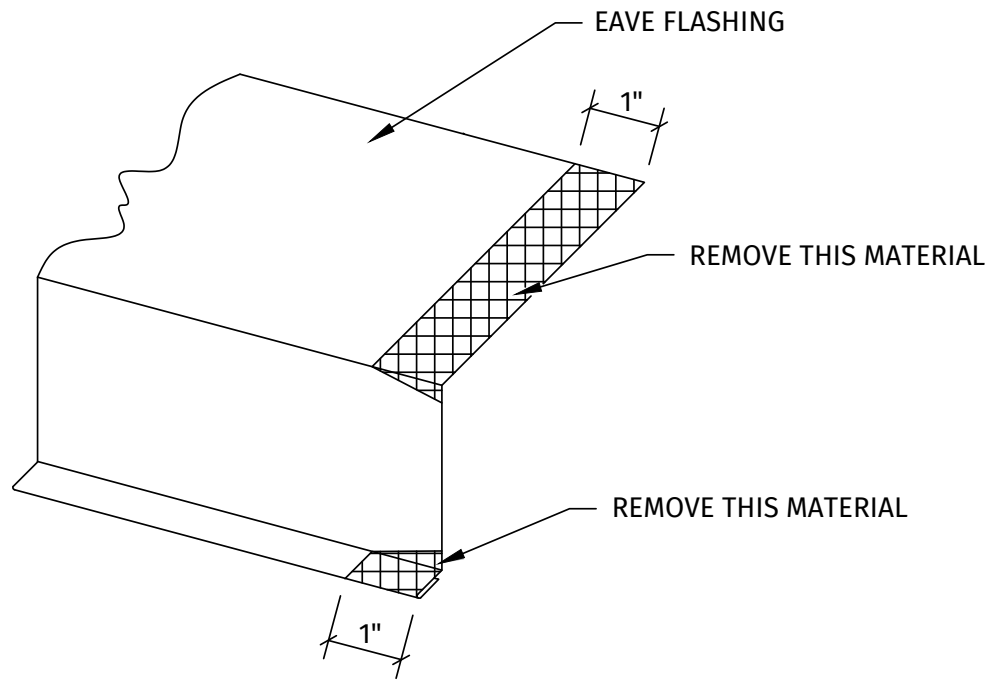
- Attach the eave flashing "E17" using #10 pancake head wood screw or roofing nails evenly spaced at 24" O.C.
- Use a screwdriver to open the hem of the next flashing for approximately 4" (see pg. 87).
- Caulk and lap sequential flashings (see appendix).
- Panels should overhang the eave 1" minimum.

Note: "E17" is a wide eave. A narrow eave, "E16" is also available. "E18" is a snow eave designed for snow country. Note that E16 & E18 flashings do not line up with standard gable trims (G16 & G17). Heavy weather conditions may require a rubberized cold-applied membrane underlayment.

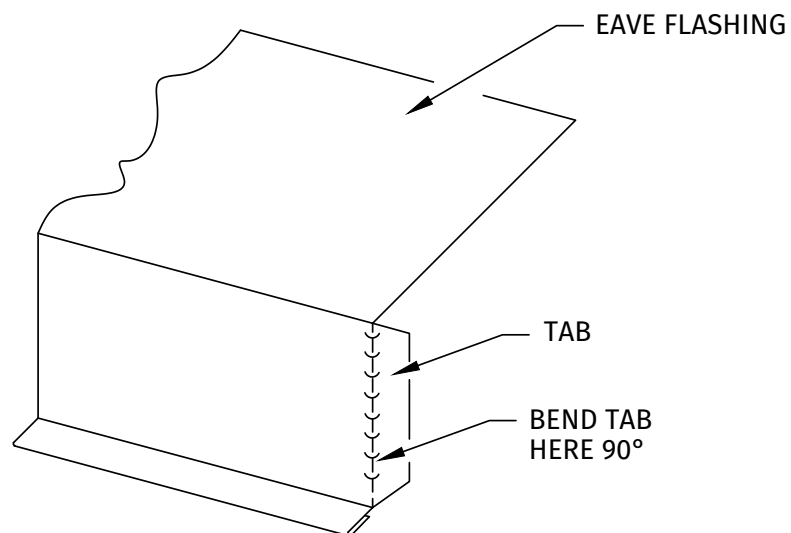
Eave Flashing Preparation

Trimming and folding at Eave-Gable interface

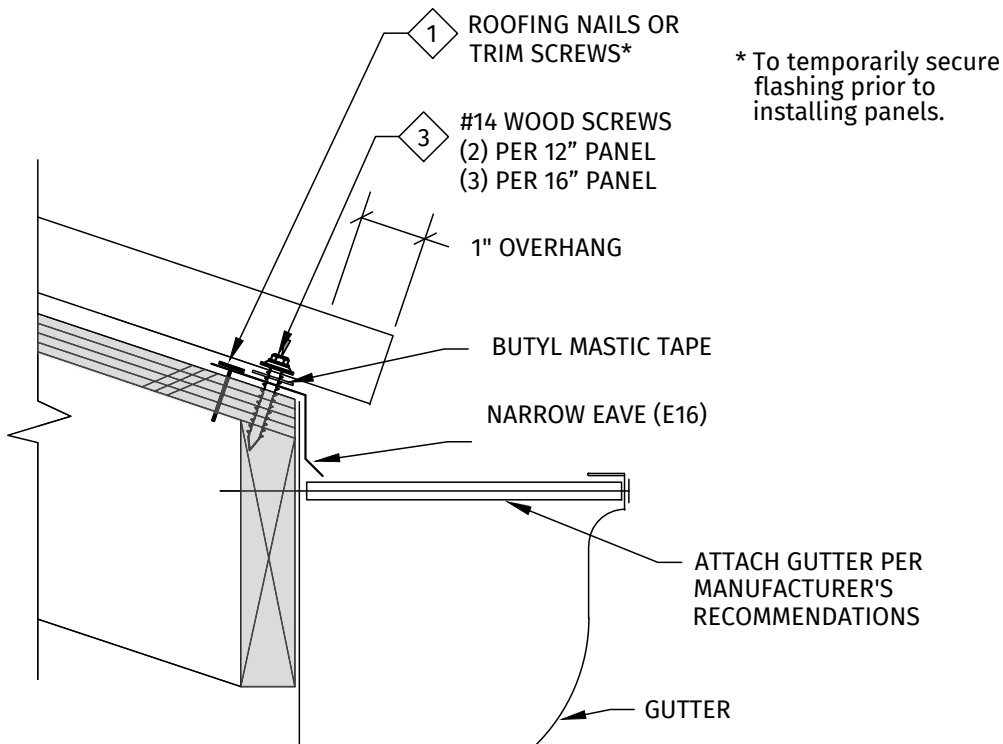
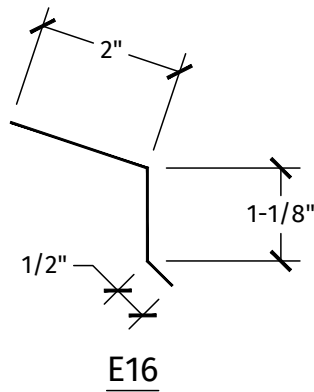
Step One:



Step Two:



Eave with Gutter



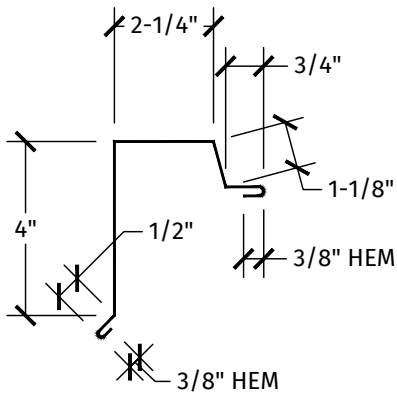
Procedure:

- Carpentry must be complete as indicated prior to installation of the flashing.
- Attach eave flashing “E16” using #10 pancake head wood screw or roofing nails evenly spaced at 24" O.C.
- Caulk and lap sequential flashings (see appendix).

- Panels should overhang the eave 1" minimum.
- ASC Building Products recommends that a licensed gutter contractor install the gutter.

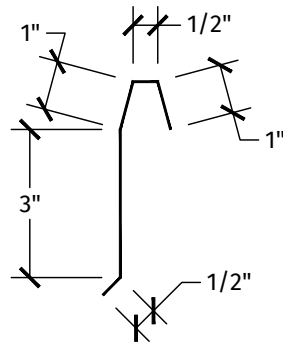
Note: This flashing must be installed prior to the panels.

Gable Flashings



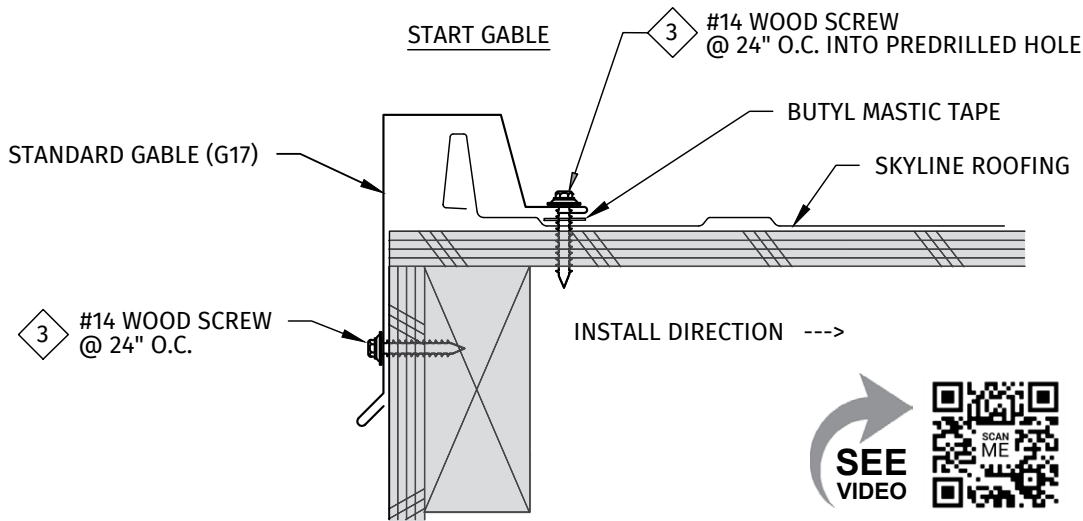
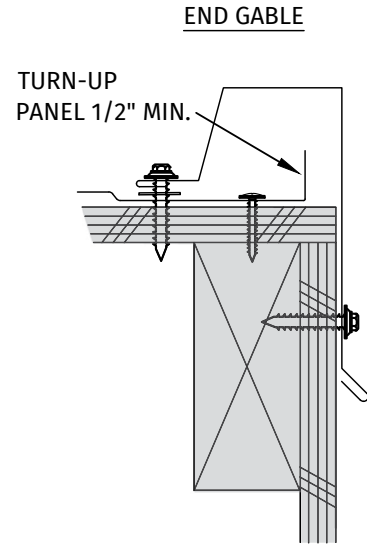
G17

(For panels shorter than 40 ft.)



G16

(For panels longer than 40 ft.)



Procedure:

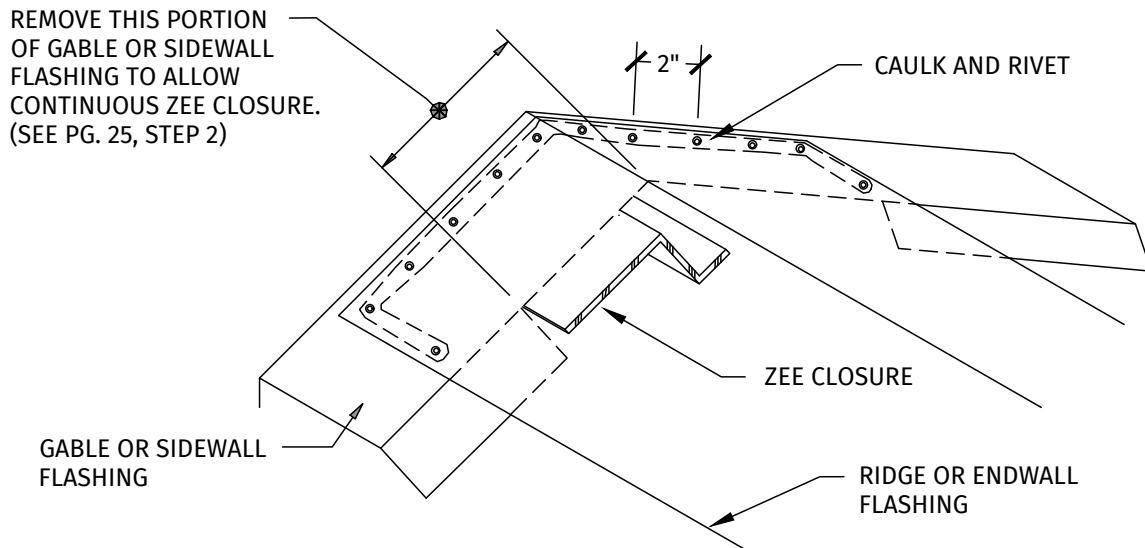
- Place the first roof panel according to the instructions starting on pg. 7.
- Place butyl mastic tape along the gable flashing's flange as shown.
- Install the gable flashing "G17" by placing it firmly over the rib and predrilling holes 24" O.C. then fasten using color matched wood screws. If using the narrow gable "G16" do not fasten (see note).
- Caulk and lap sequential flashings (see appendix).

- Mitre cut the flashing at the peak to join each side at the ridge (see pg. 25).
- Snip and fold the gable at the eave to close the end. Use rivets to fasten (see pg. 24).
- At end gable, turn up panel edge 1/2" prior to installing gable trim.

Note: If using the narrow gable "G16" do not fasten to panel, only to the structure. Narrow gable flashing fits snug against panel rib. Use "G16" for long length Skyline Roofing applications

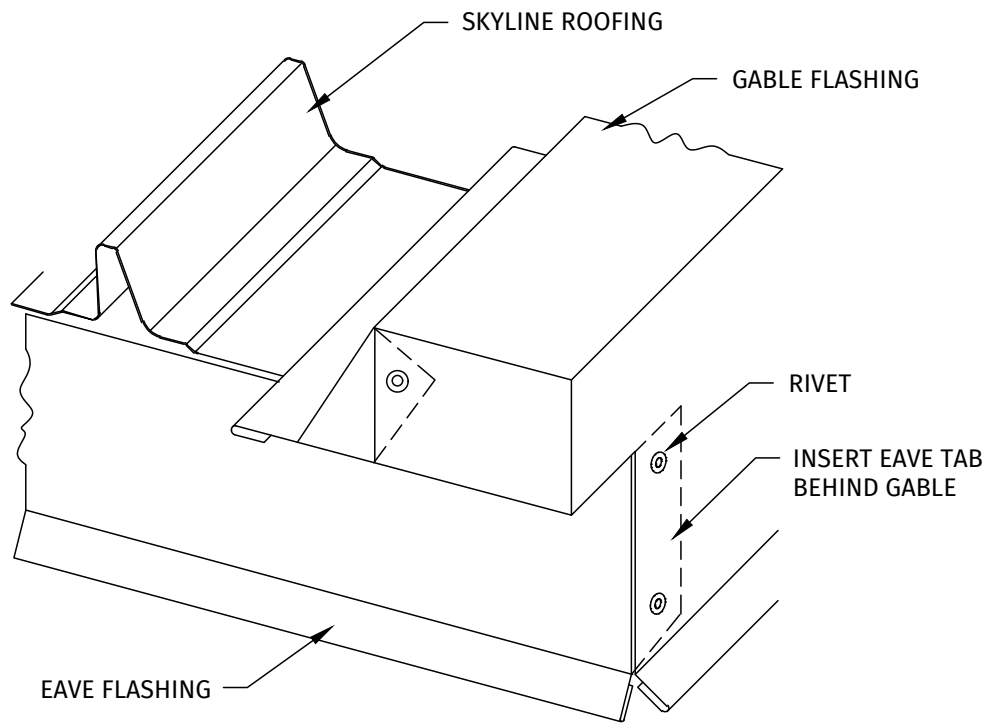
Gable/Ridge Transition

Similar to Gable/Endwall Transition



Gable Corner at Eave

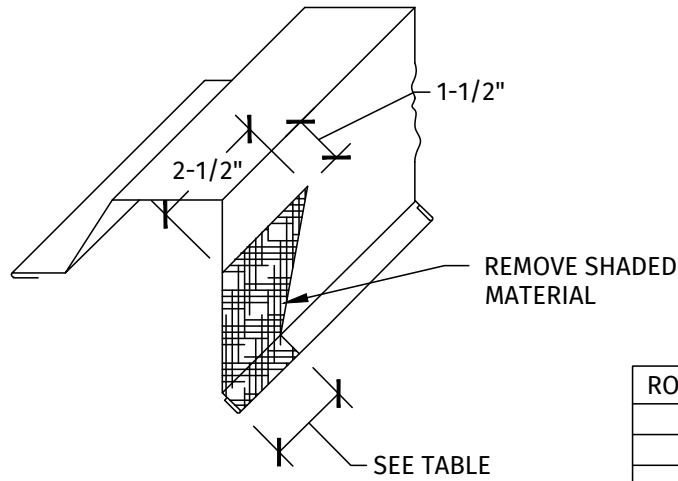
Refer to following page for instructions



Skyline Roofing®
 Installation, Trims, Flashings, & Details Guide
Gable Flashing Preparation at Eave

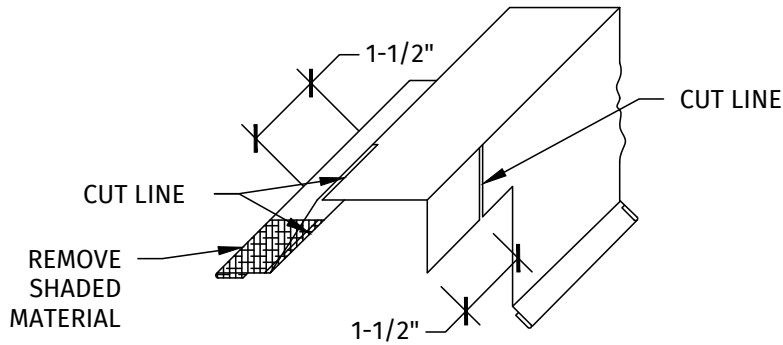
Step One

Note: Length of Gable must extend 2-1/2" past face of Eave trim.

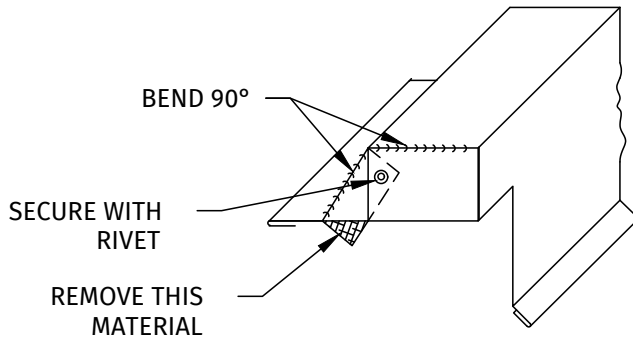


ROOF PITCH	DIM.
3:12	1-7/8"
3.5:12	1-3/4"
4:12	1-5/8"
5:12	1-7/16"
6:12	1-1/4"
12:12	0"

Step Two



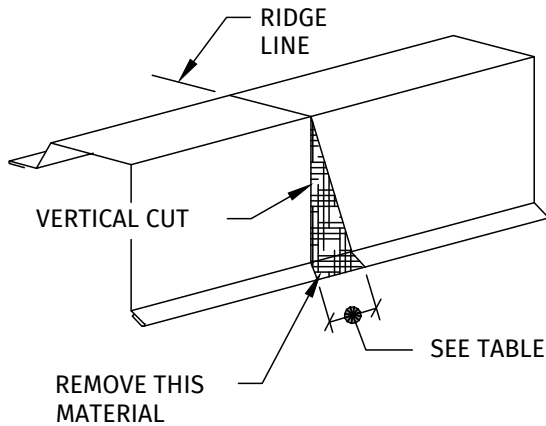
Step Three



Gable Flashing Preparation at Ridge

Step One

Remove a pie-shaped piece from the gable flashing as shown below.

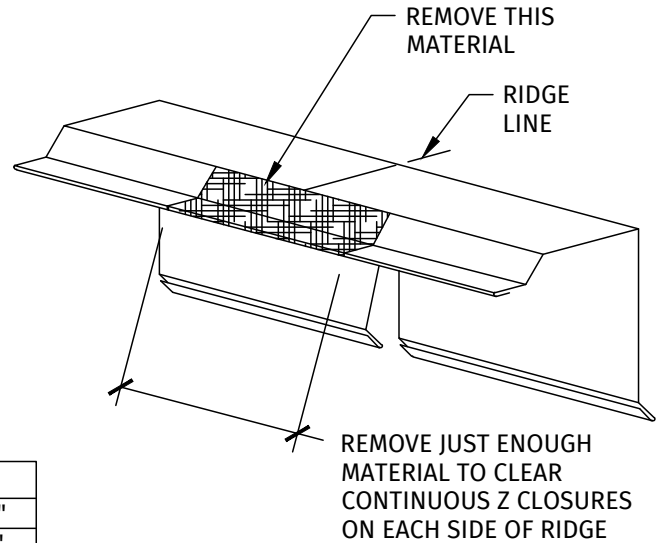


ROOF PITCH	DIM.
3:12	1-1/16"
3.5:12	1-1/4"
4:12	1-7/16"
5:12	1-3/4"
6:12	2-3/16"
12:12	4-7/16"

* Dimensions only apply to G16 and G17 Gable Flashing

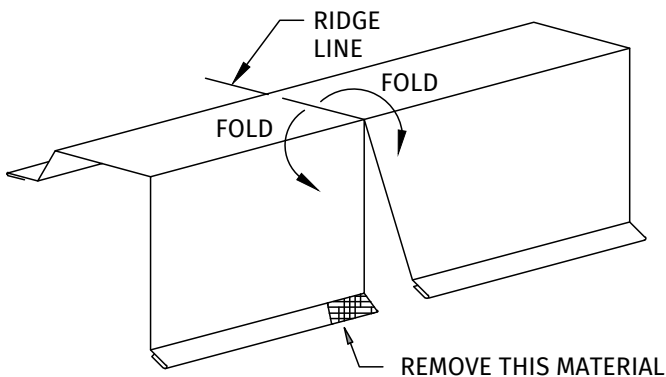
Step Two

Notch out the downturn leg on the gable as shown below.



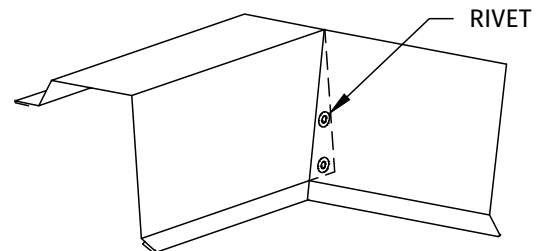
Step Three

Center the flashing on the ridge at the gable and bend to roof pitch



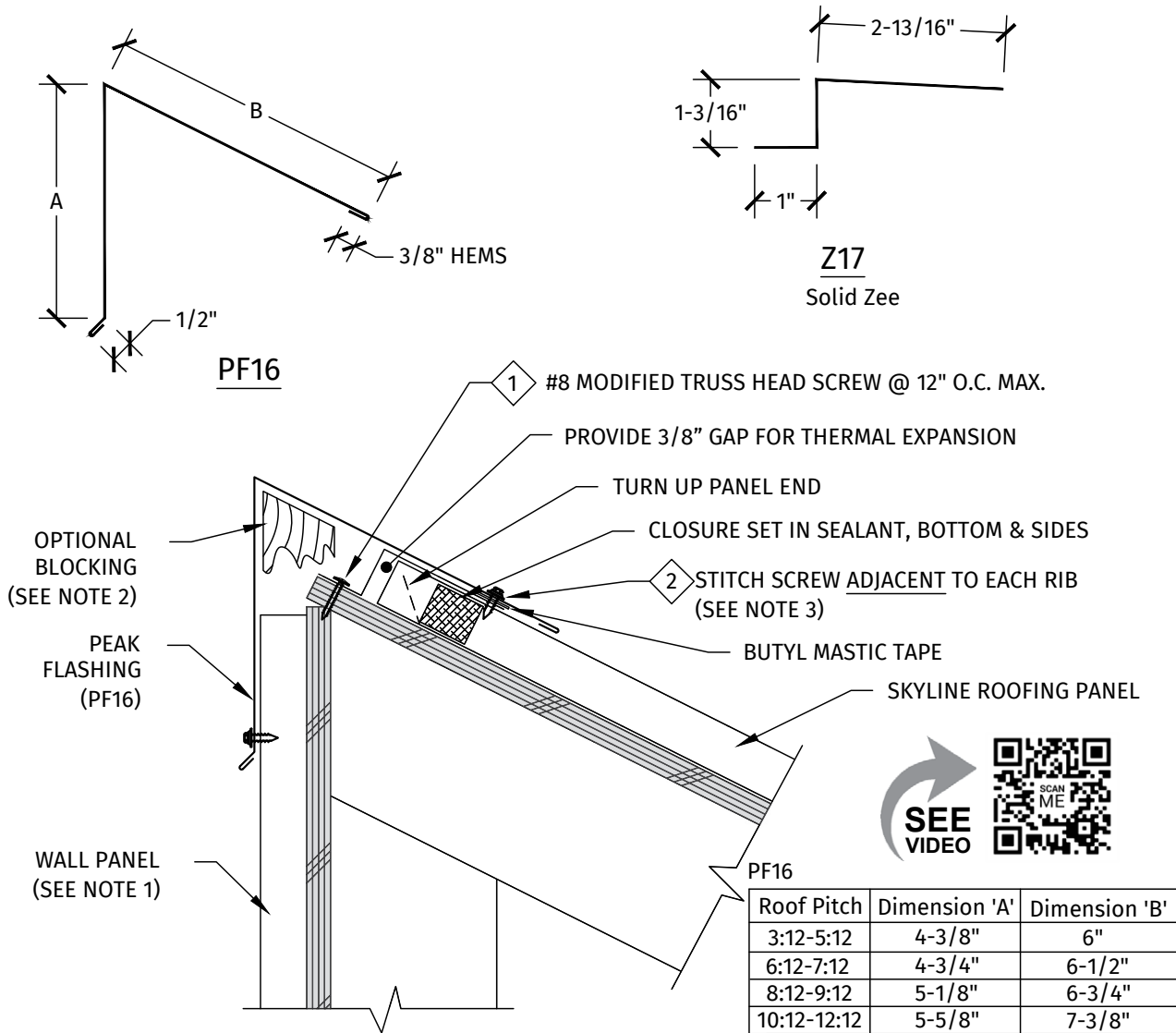
Step Four

Reference pg. 16 for final installation view and interface with ridge.



Note: Zee Closure "Z18" (perforated) or "Z17" (solid) must be in place prior to installation of the ridge flashing.

Peak Flashing



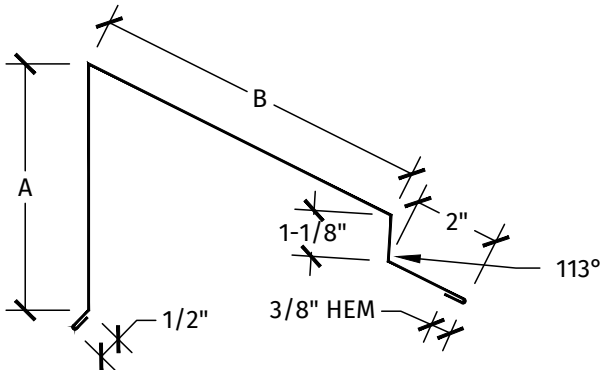
Procedure:

- Locate the panels down from the edge of the substrate as required. Provide 3/8" space between zee closure and end of panel to allow for panel thermal expansion. Check overhang/ alignment at the eave. Review eave detail for additional information.
- Turn up panel. Caulk bottom and sides of closure and set closure into place as shown in view.
- Attach the zee closure (Z17) at the top edge of the plywood and parallel to the ridge.
- Fasten the peak flashing (PF16) to the zee closure using #12 x 3/4" stitch screws adjacent to the panel ribs (see note 3).
- Caulk, lap, and rivet sequential flashings (see appendix).
- Close the ends of the peak at gable ends by slitting and folding material at each end, caulking joints, and fastening with rivets.

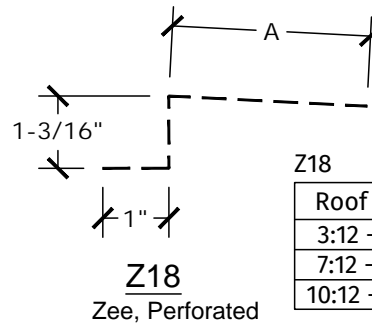
Notes:

1. Peak flashing dimensions noted on this installation detail based on nominal 1" thick wall facing. Different wall panel thicknesses may require some adjustments to peak flashing dimensions and/or positioning of roof assembly components.
2. Additional blocking may be required at peak to support peak flashing.
3. Do not screw into the panel ribs, this will restrict the roof's ability to expand and contract.

Vented Peak Flashing



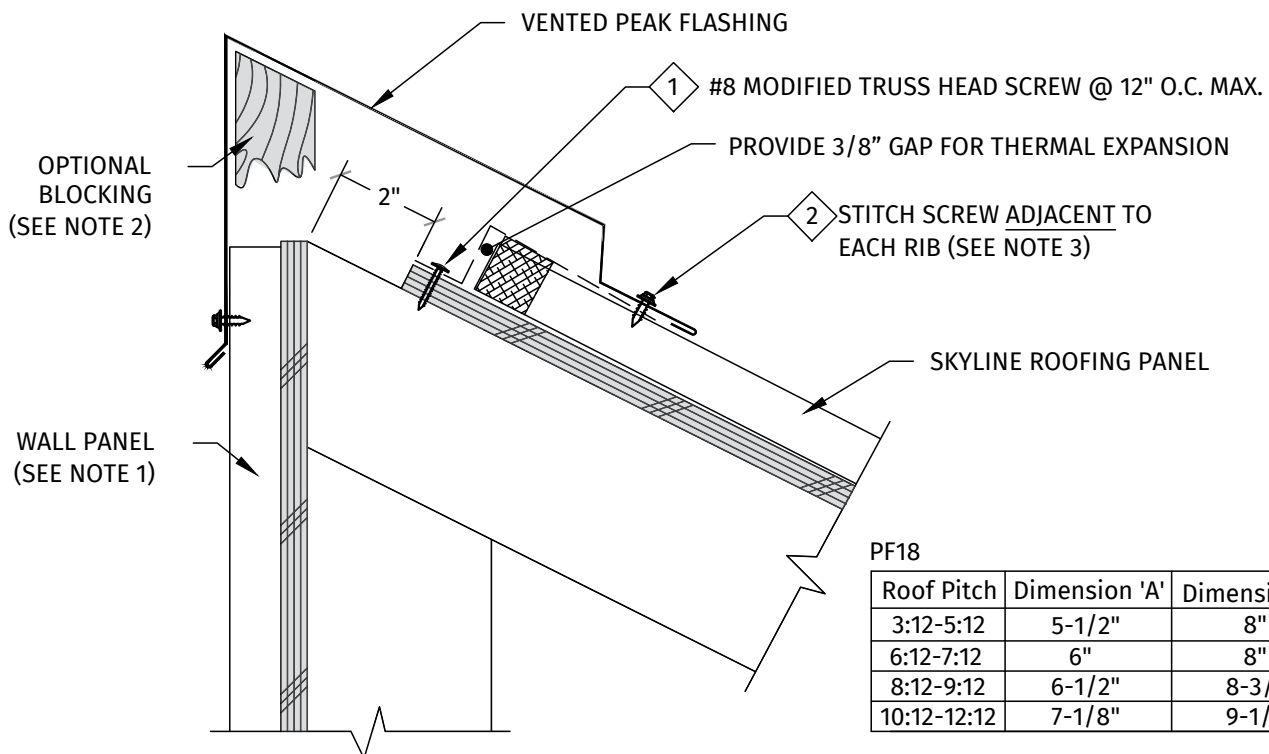
PF18



Z18

Roof Pitch	Dimension 'A'
3:12 - 6:12	5"
7:12 - 9:12	4-3/8"
10:12 - 12:12	3-3/4"

Z18
Zee, Perforated



PF18

Roof Pitch	Dimension 'A'	Dimension 'B'
3:12-5:12	5-1/2"	8"
6:12-7:12	6"	8"
8:12-9:12	6-1/2"	8-3/8"
10:12-12:12	7-1/8"	9-1/4"

Procedure:

- Substrate should be held back 2" from peak for venting.
- Locate the panels down from the edge of the substrate as required. Provide 3/8" space between perforated zee closure and end of panel to allow for panel thermal expansion. Check overhang/ alignment at the eave. Review eave detail for additional information.
- Caulk the bottom and sides of the polyethylene closure. Set the closure as shown in detail.
- Attach the perforated zee closure (Z18) at the top edge of the plywood and parallel to the ridge.
- Fasten vented peak flashing (PF18) to the zee closure using stitch screws adjacent to the panel ribs (note 3).

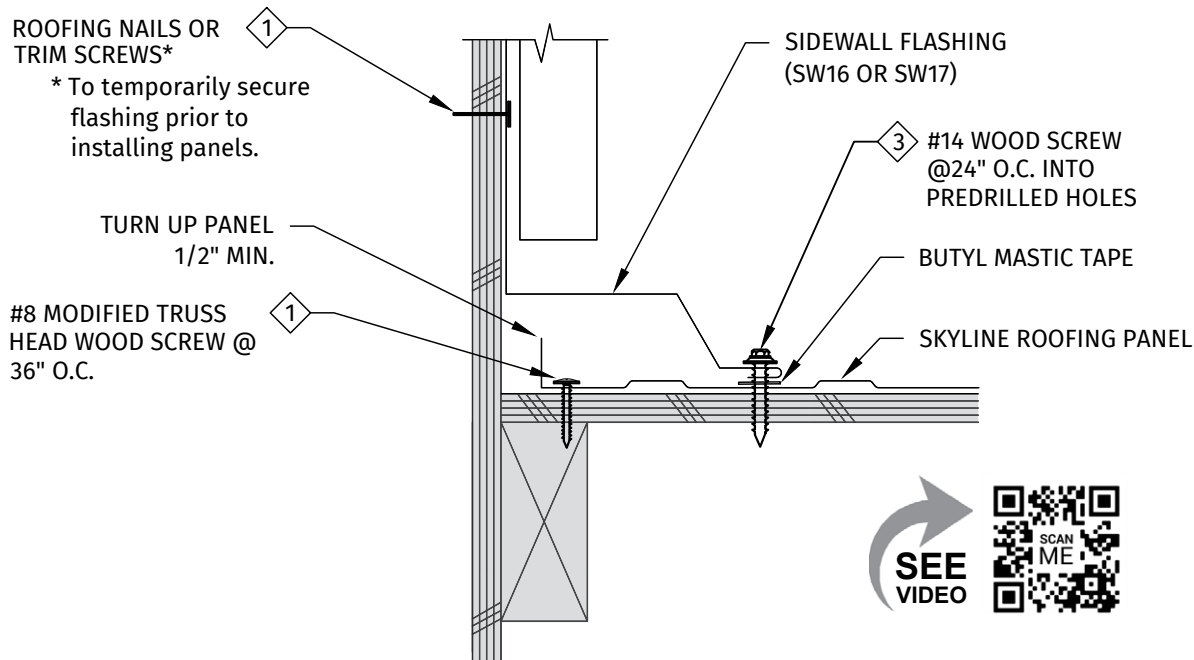
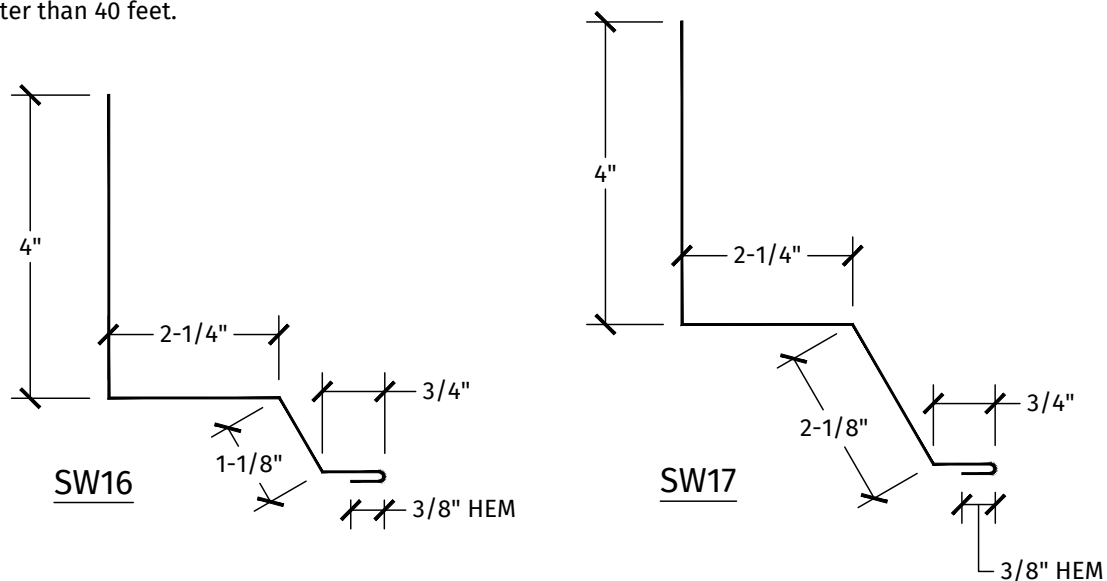
- Caulk, lap, & rivet sequential flashings (see appendix).
- Close the ends of the peak at gable ends by slitting and folding material at each end, caulking joints, and fastening with rivets.

Notes:

1. Peak flashing dimensions noted on this installation detail based on nominal 1" thick wall facing. Different wall panel thicknesses may require some adjustments to peak flashing dimensions and/or positioning of roof assembly components.
2. Additional blocking may be required at peak to support peak flashing.
3. Do not screw into the panel ribs, this will restrict the roof's ability to expand and contract.

Sidewall Flashing

For panels shorter than 40 feet.



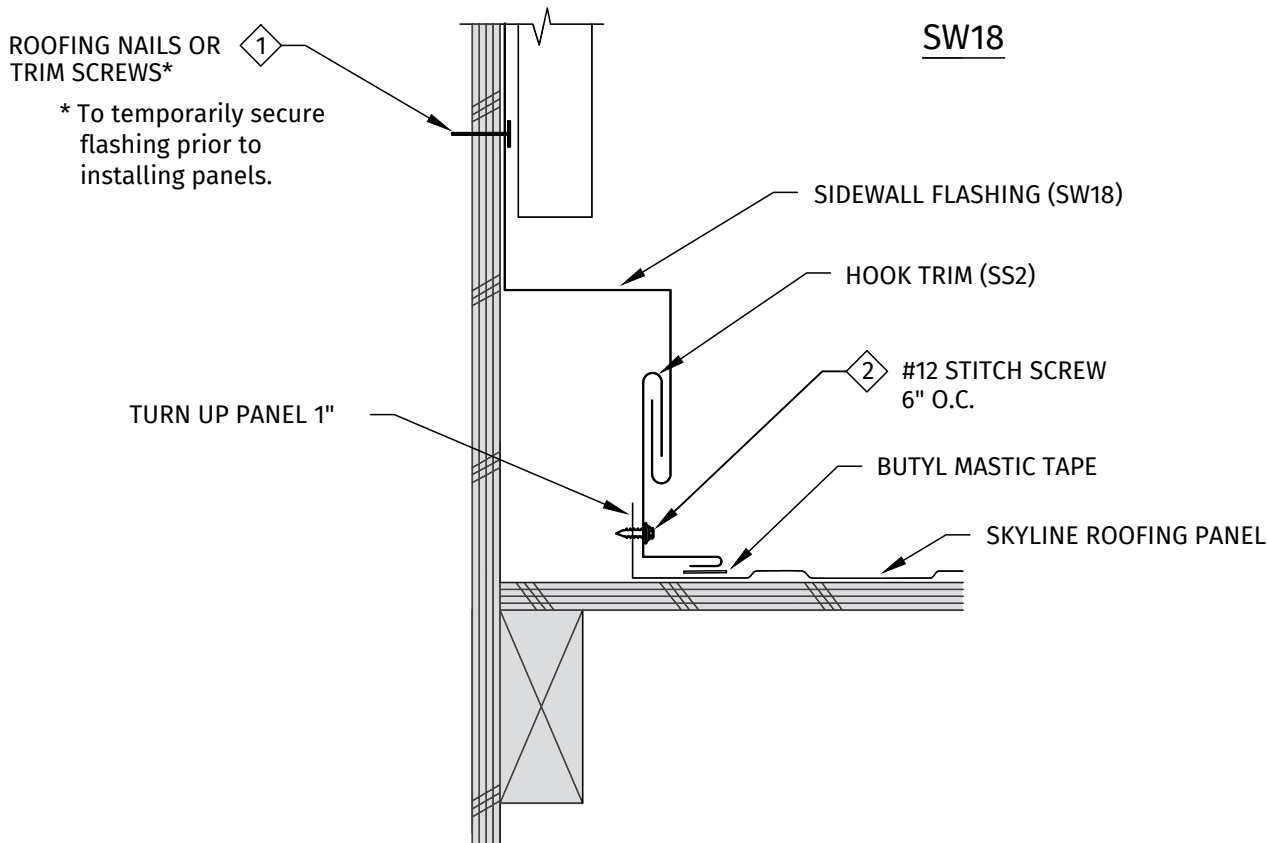
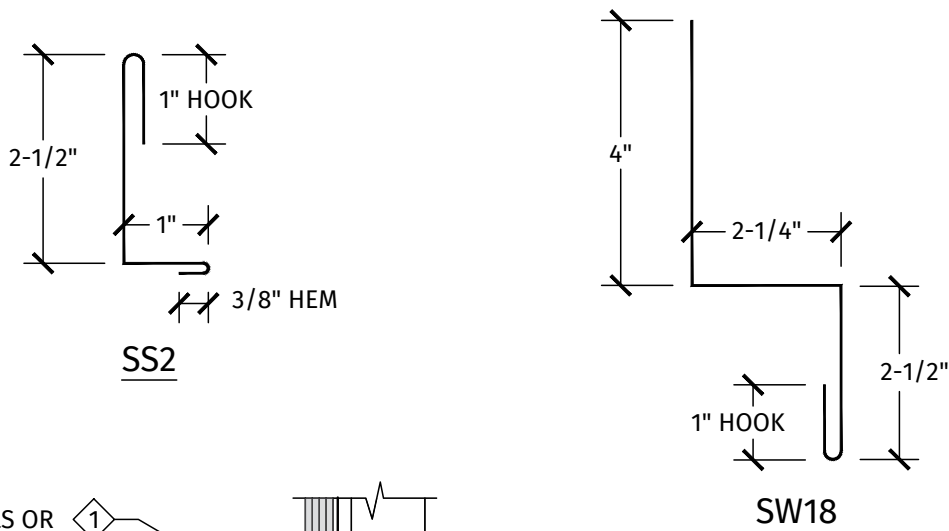
Procedures

- The roof should be installed prior to the siding.
- Trim the panel 1/2" in and parallel with the wall.
- Place butyl mastic tape along the sidewall flashing's flange as shown.
- Install the sidewall flashing "SW16" (when used with a standard endwall) by placing it firmly on the roofing panel and attaching with the fasteners indicated.
- Caulk and lap flashings (see appendix).
- See page 30 on closing the end of the flashing.
- When using a sidewall flashing in conjunction with a vented endwall condition, increase the 1-1/8" leg on sidewall flashing, "SW16" to 2-1/8" ("SW17").

Note: Do not use detail if panels are longer than 40 ft.

Sidewall Flashing

For panels greater than 40 feet.



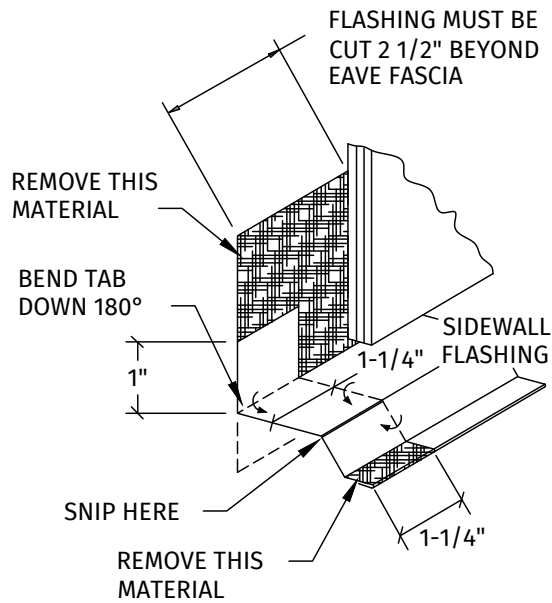
Procedure:

- The roof and flashings should be installed prior to siding.
- Trim the panel 1" in and parallel with the wall.
- Turn up the panel 1" from the edge of the panel as shown.
- Apply mastic tape to hook (SS2) before fastening.
- Fasten hook (SS2) to the turn-up. Make sure panel is able to expand and contract.
- See following page for closing the end of the flashing.
- Install the sidewall flashing (SW18) by hooking it into the hook (SS2) and then fastening it to the wall.

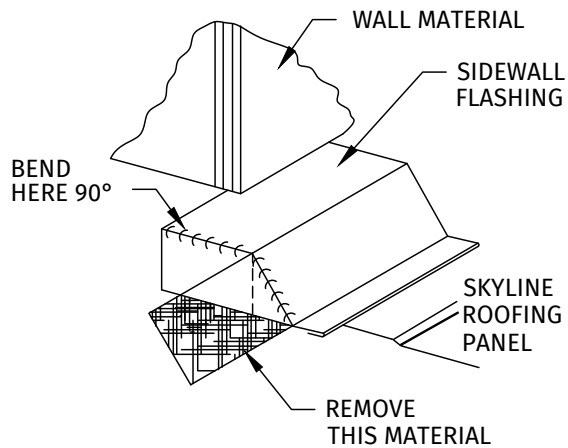
Closing Sidewall Flashing

For panels shorter than 40 feet.

Step One

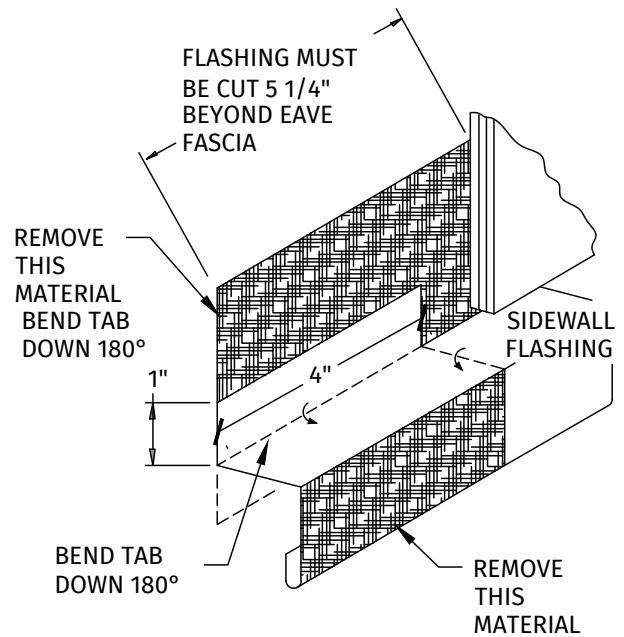


Step Two

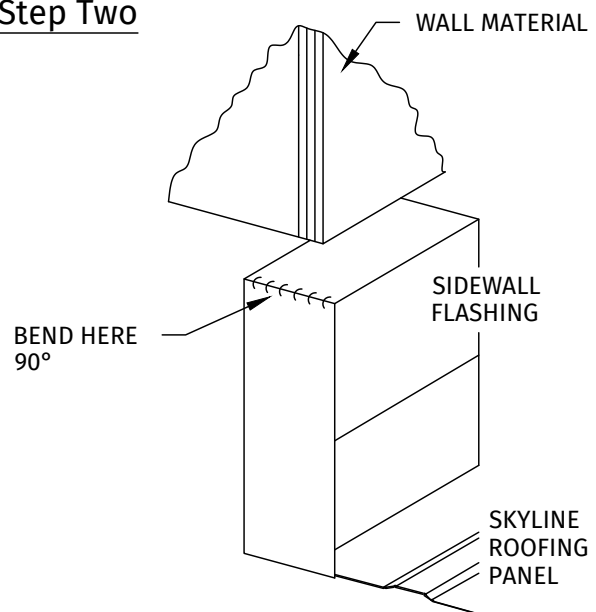


For panels longer than 40 feet.

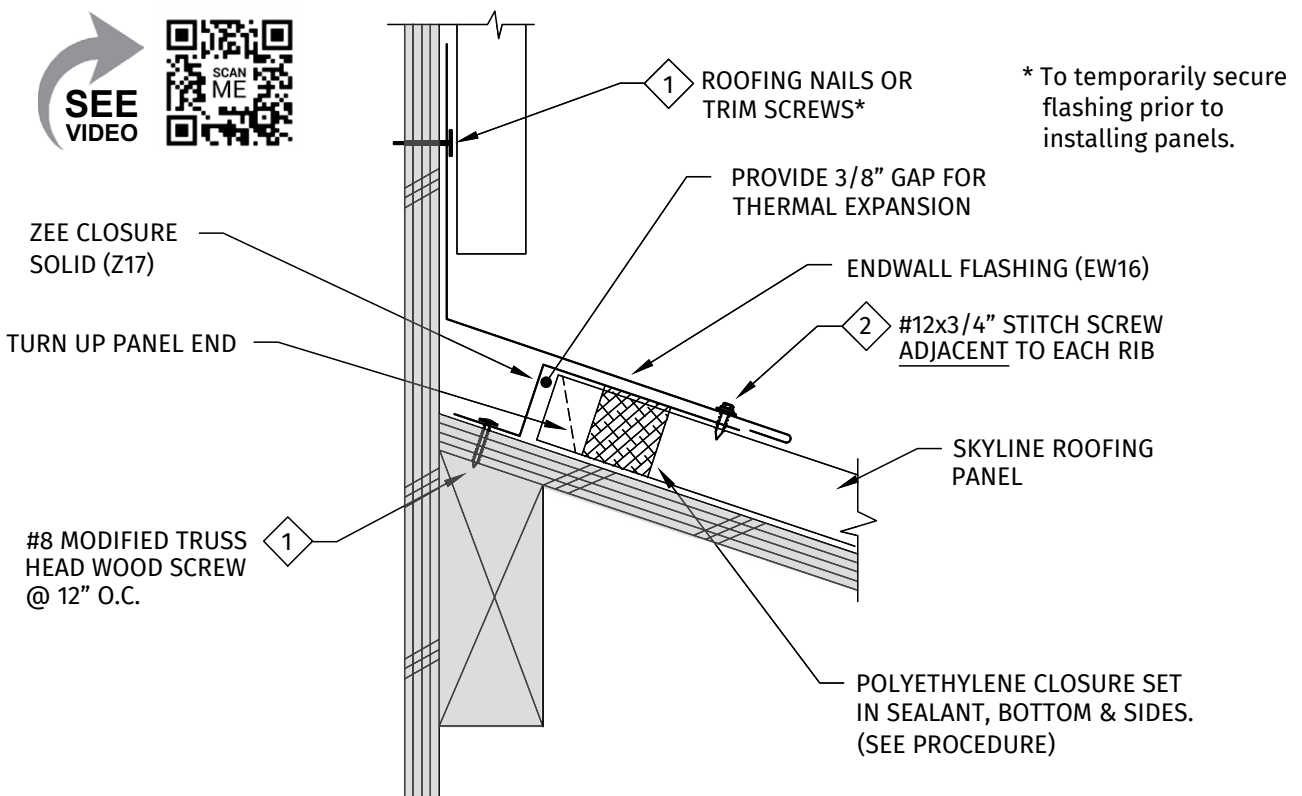
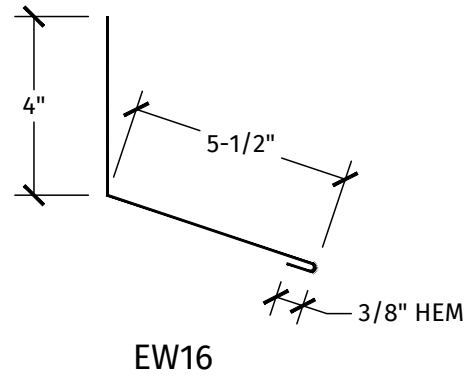
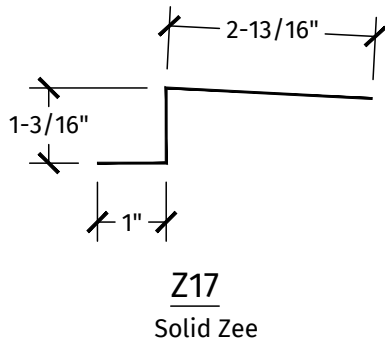
Step One



Step Two



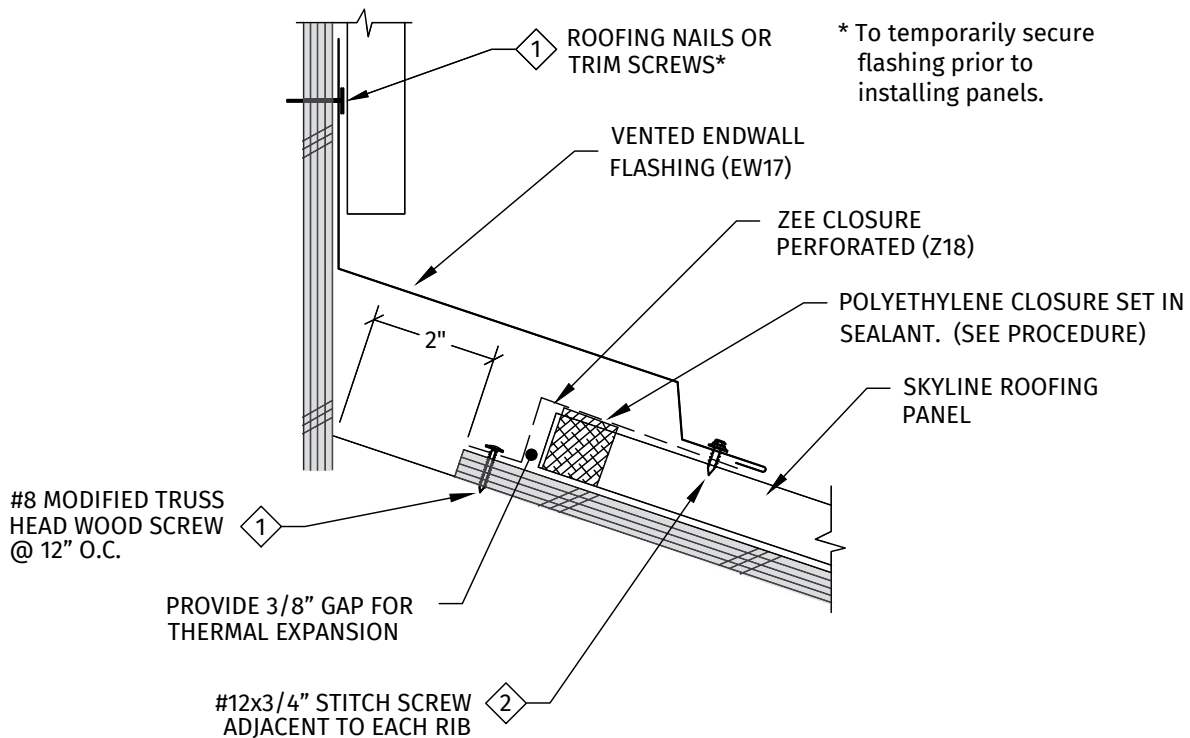
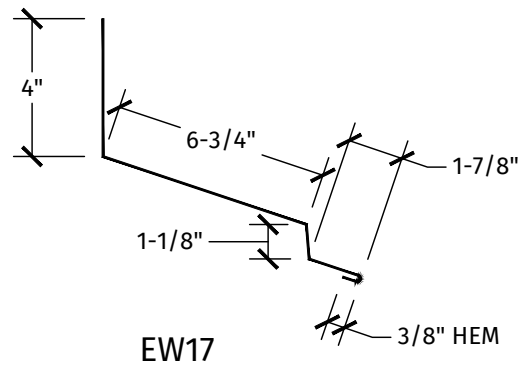
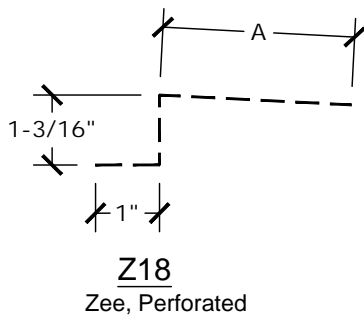
Endwall Flashing



Procedure:

- Locate the panels down from the edge of the substrate as required. Provide 3/8" space between zee closure and end of panel to allow for panel thermal expansion. Check overhang/ alignment at the eave. Review eave detail for additional information.
- Turn up panel. Caulk bottom and sides of closure and set closure into place as shown in view.
- Attach the zee closure "Z17" (solid) at the top edge of the roof and parallel to the endwall.
- Fasten the endwall "EW16" with pancake head wood screws or roofing nails at 24" O.C.
- Fasten the endwall "EW16" to the zee using #12 x 3/4" stitch screws at each rib (Adjacent to the panel ribs).
- Caulk, lap and rivet sequential flashings (see appendix).

Vented Endwall Flashing

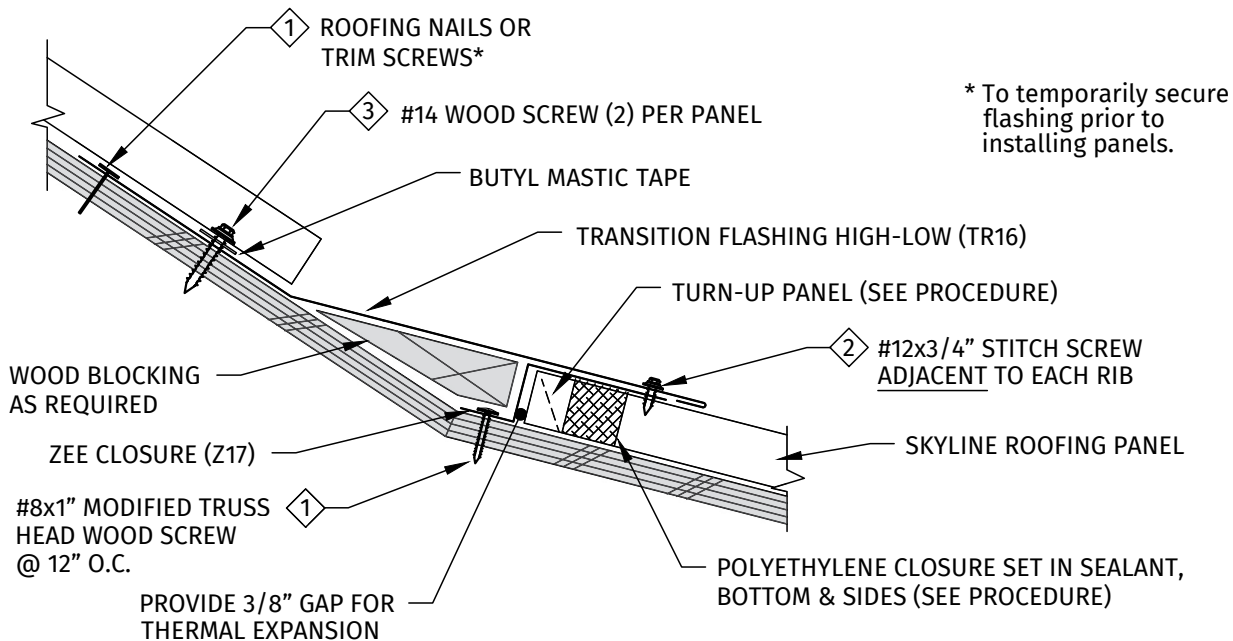
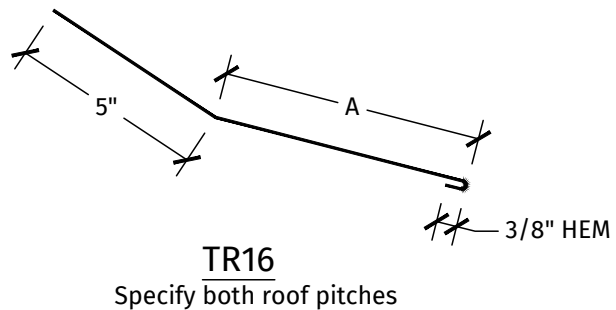
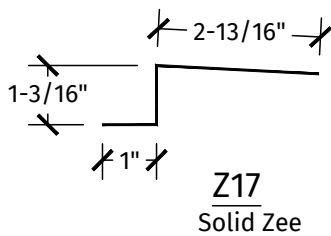


Procedure:

- Substrate should be held back 2" from the wall.
- Locate the panels down from the edge of the substrate as required. Provide 3/8" space between zee closure and end of panel to allow for panel thermal expansion. Check overhang/ alignment at the eave. Review eave detail for additional information.
- Caulk the bottom and sides of the polyethylene closure and set into place.
- Attach the vented zee closure "Z18" (perforated) at the top edge of the substrate and parallel to the endwall.
- Fasten the vented endwall "EW17" with #10 pancake head wood screws or roofing nails at 24" O.C.
- Fasten the vented endwall "EW17" to the zee closure "Z18" (perforated) using #12 x 3/4" stitch screws (adjacent to the panel ribs).
- Caulk, lap and rivet sequential flashings (see appendix).

Roof Pitch	Dimension 'A'
3:12-6:12	4-1/2"
7:12-9:12	3-3/4"
10:12-12:12	3"

Slope Transition - High Slope to Low Slope



Procedure:

- Install the downhill panels as required
Check the overhang at the eave (see pg. 13).
- Turn up panel. Caulk the bottom and sides of the polyethylene closure, set the closure as shown above.
- Attach the zee closure “Z17” (solid) at the top edge of the substrate and parallel to the valley.
- Provide space between the zee closure “Z17” and the panels to allow for expansion of the panel.
- Install wood blocking as needed for support.
- Fasten the transition flashing “TR16” with #10 pancake head wood screws or roofing nails at 24" O.C.
- Fasten the transition flashing “TR16” to the zee closure using #12 x 3/4" stitch screws. (Adjacent to the panel ribs).

- Caulk, lap and rivet sequential flashings (see appendix).
- Parallel to the transition, place row of butyl mastic tape as shown above.
- Attach the uphill panels as shown.

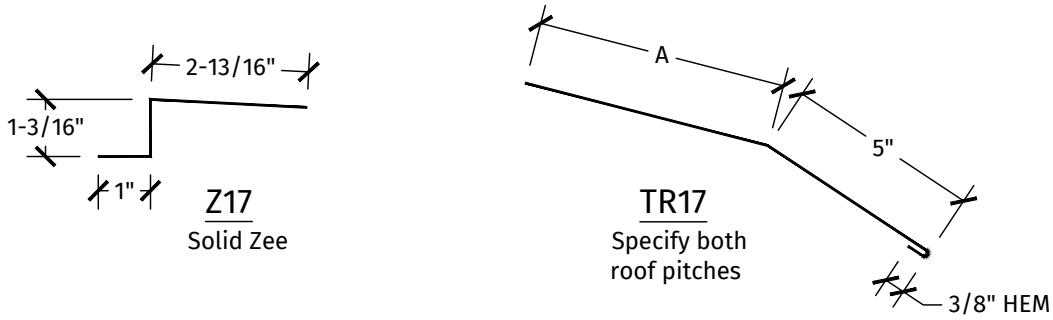
Roof Pitch Difference	Dimension 'A'
2:12	14"
3:12-6:12	8"
7:12-12:12	6"

The roof pitch difference is the difference between the upper and lower slopes. Ex: Upper roof pitch is 7:12 and lower roof pitch is 3:12. Difference is 4:12. Flashing TR16 Dimension 'A' is 8". Inquire with ASC regarding applications where steepest slope exceeds 12:12.

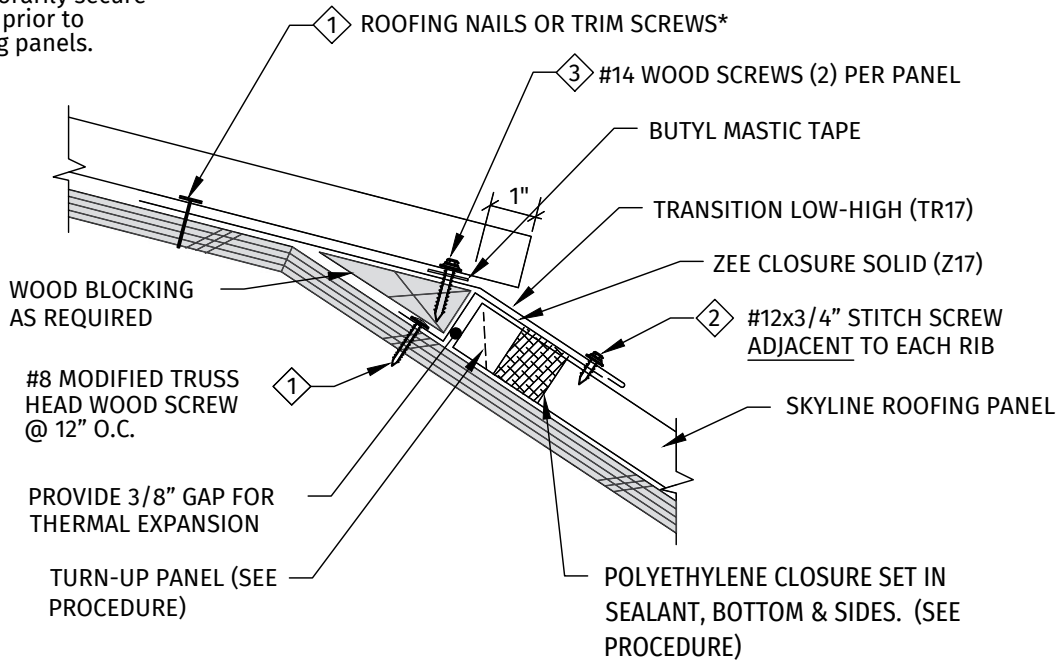
Note: TR17 flashing fit will vary depending on slope combination. Some field adjustment of panel assembly may be required for best fit.

Slope Transition - Low Slope to High Slope

FIXED EAVE DETAILS



* To temporarily secure flashing prior to installing panels.



Procedure:

- Install the downhill panels as required. Check the overhang at the eave (see pg. 13).
- Turn up panel. Caulk the bottom and sides of the polyethylene closure, set the closure as shown above.
- Attach the zee closure “Z17” (solid) near the top of the substrate and parallel to the valley.
- Provide space between the zee closure “Z17” and the panels to allow for expansion of the panel.
- Install wood blocking as needed for support.
- Fasten the transition flashing “TR17” with #10 pancake head wood screws or roofing nails at 24” O.C.
- Fasten the transition flashing “TR17” to the zee closure using #12 x 3/4” stitch screws. (Adjacent to the panel ribs).

- Caulk, lap and rivet sequential flashings (see appendix).
- Parallel to the transition, place row of butyl mastic tape as shown above.
- Attach the uphill panels as shown.

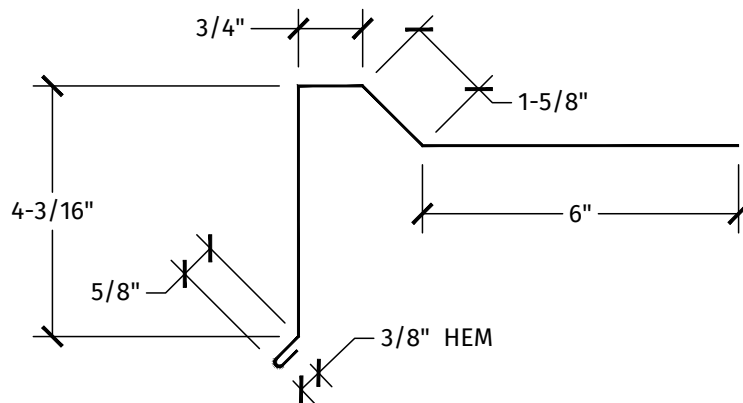
Roof Pitch Difference	Dimension 'A'
2:12	14"
3:12-6:12	8"
7:12-12:12	6"

The roof pitch difference is the difference between the upper and lower slopes. Ex: Upper roof pitch is 3:12 and lower roof pitch is 7:12. Difference is 4:12. Flashing TR17 Dimension 'A' is 8". Inquire with ASC regarding applications where steepest slope exceeds 12:12.

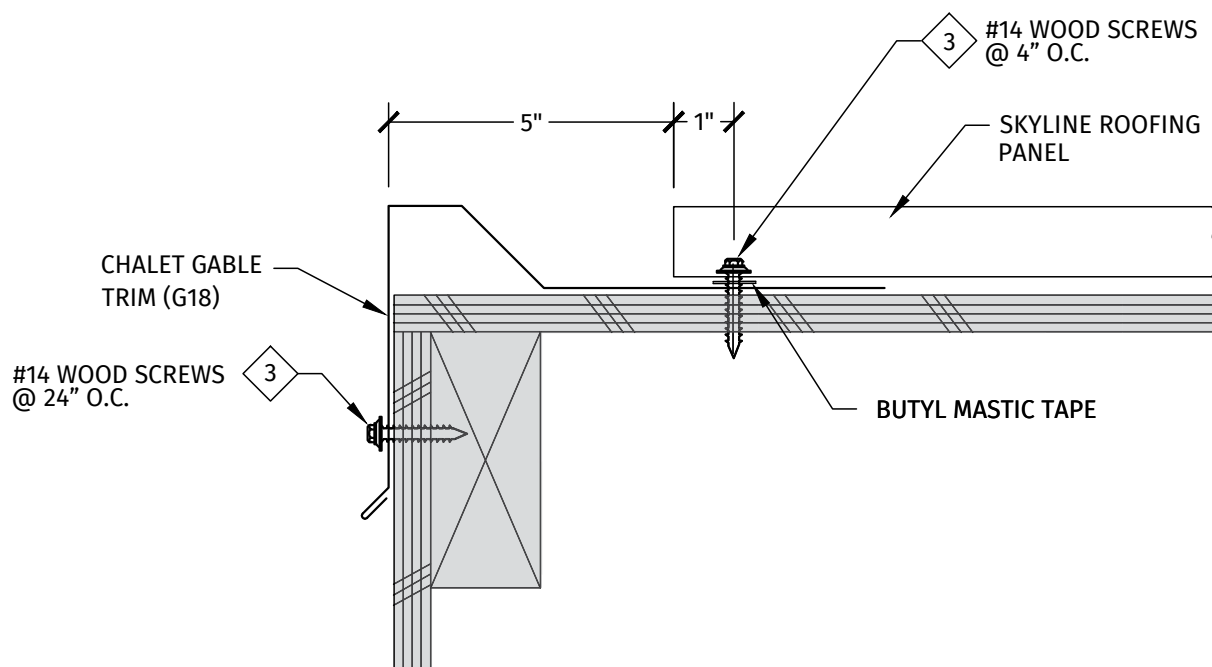
Note: TR17 flashing fit will vary depending on slope combination. Some field adjustment of panel assembly may be required for best fit.

Chalet Gable Flashing

DETAIL ALSO KNOWN AS A PROW OR DUTCH GABLE ROOF.



G18



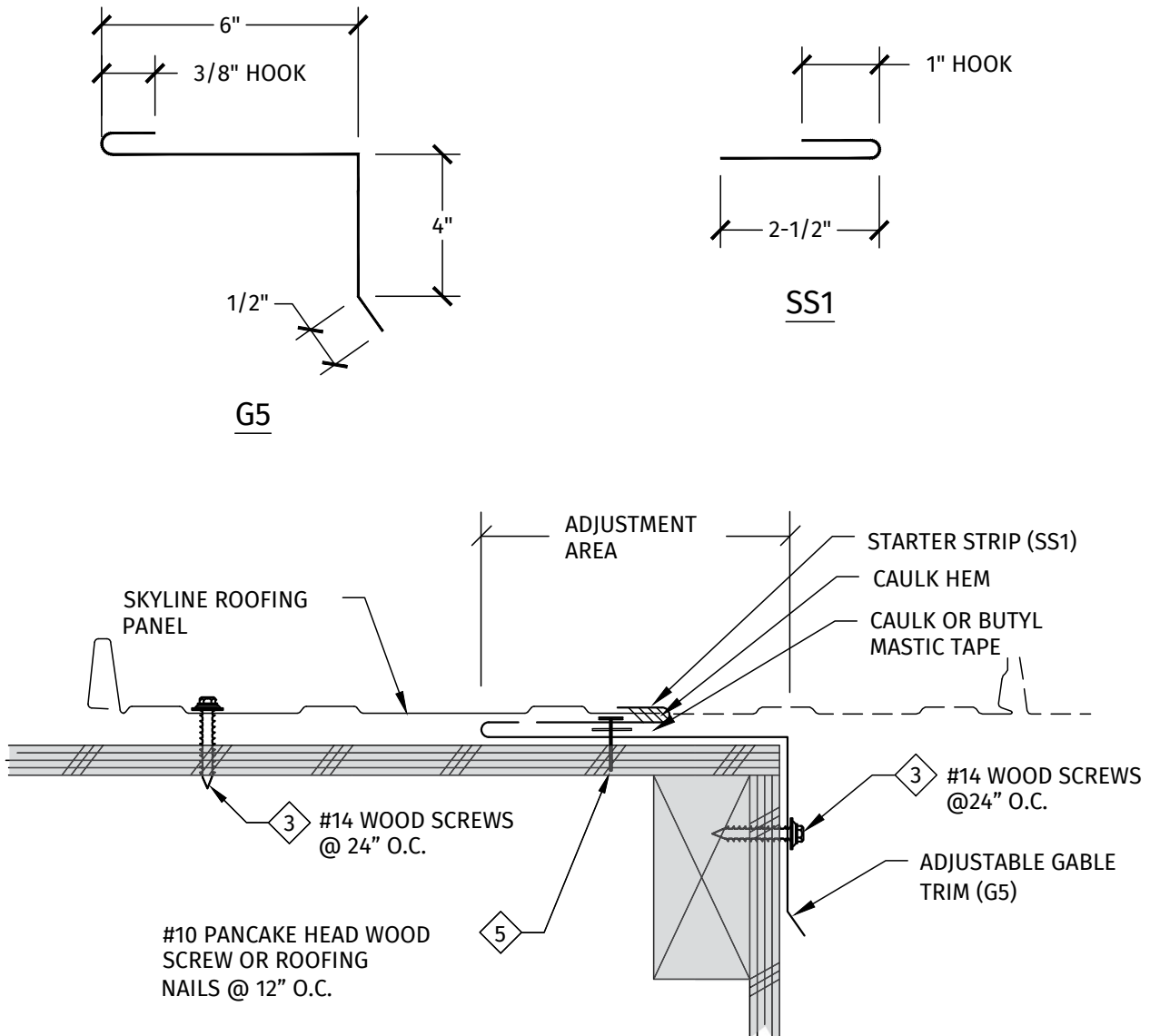
Procedure:

- Attach the chalet flashing “G18” using #14 wood screws spaced at 24" O.C.
- Caulk and lap the flashing a minimum of 3" O.C. joining the hem (see appendix).
- Parallel to the face of the flashing, place row of butyl mastic tape as shown.
- Field cut the panels holding 5" back from the face of the flashing as shown.

- Attach the panels to the roof and ‘thru-fasten’ along the bottom edge using #14 wood screws spaced at 4" O.C. so they align with the butyl mastic tape.
- Chalet gable to be used with standard eave “E17”

Note: This flashing must be installed prior to the panels.

Adjustable Gable Flashing

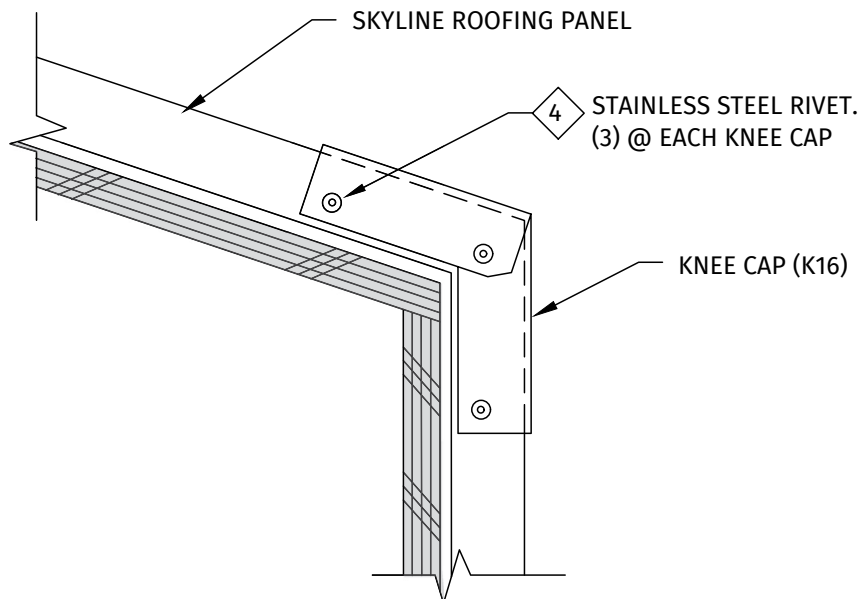
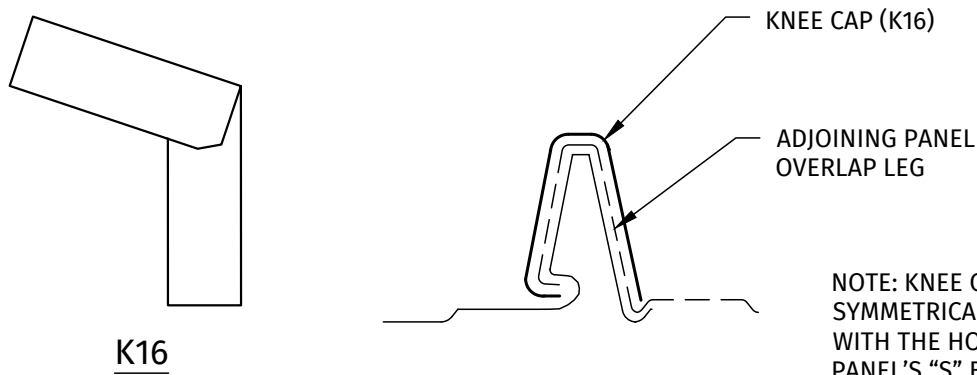


Procedure:

- Attach the adjustable gable “G5” using #14 wood screws spaced at 24” O.C.
- Place one row of butyl mastic tape between adjustable gable “G5” and starter strip “SS1”.
- Fasten starter strip “SS1” with #10 pancake head wood screw or roofing nails 12” O.C.
- Field cut, caulk, and attach the panels and fasten using #14 wood screws at 24” O.C.
- Adjustable gable “G5” is to be used with standard eave “E17”.

Knee Cap Flashing

Rib Cover flashing at Eave

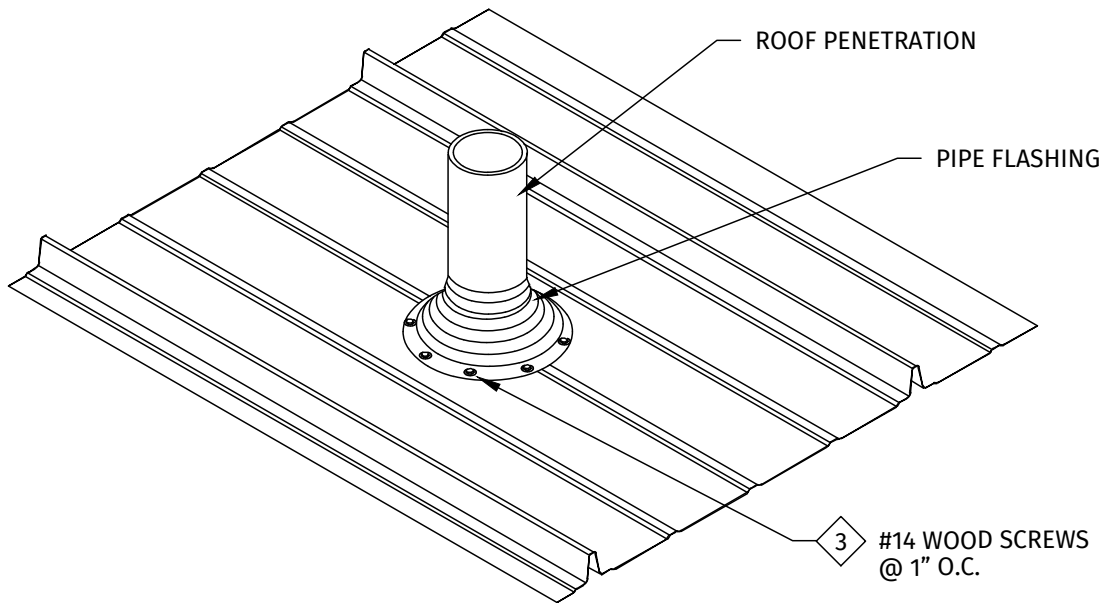


Procedure:

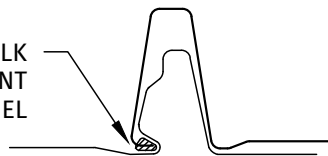
- Cut only the major ribs where the panel is to bend.
- Attach the roofing/fascia panels.
- Caulk and cover the gap with the knee cap flashing "K16" and fasten with three (3) rivets.

Note: This detail not recommended in snow climates.

Vent Flashing



INSTALL GUNNABLE CAULK
PRIOR TO INSTALLING ADJACENT
PANEL



END VIEW OF LAPPED PANEL

For penetrations through the panel sidelap:

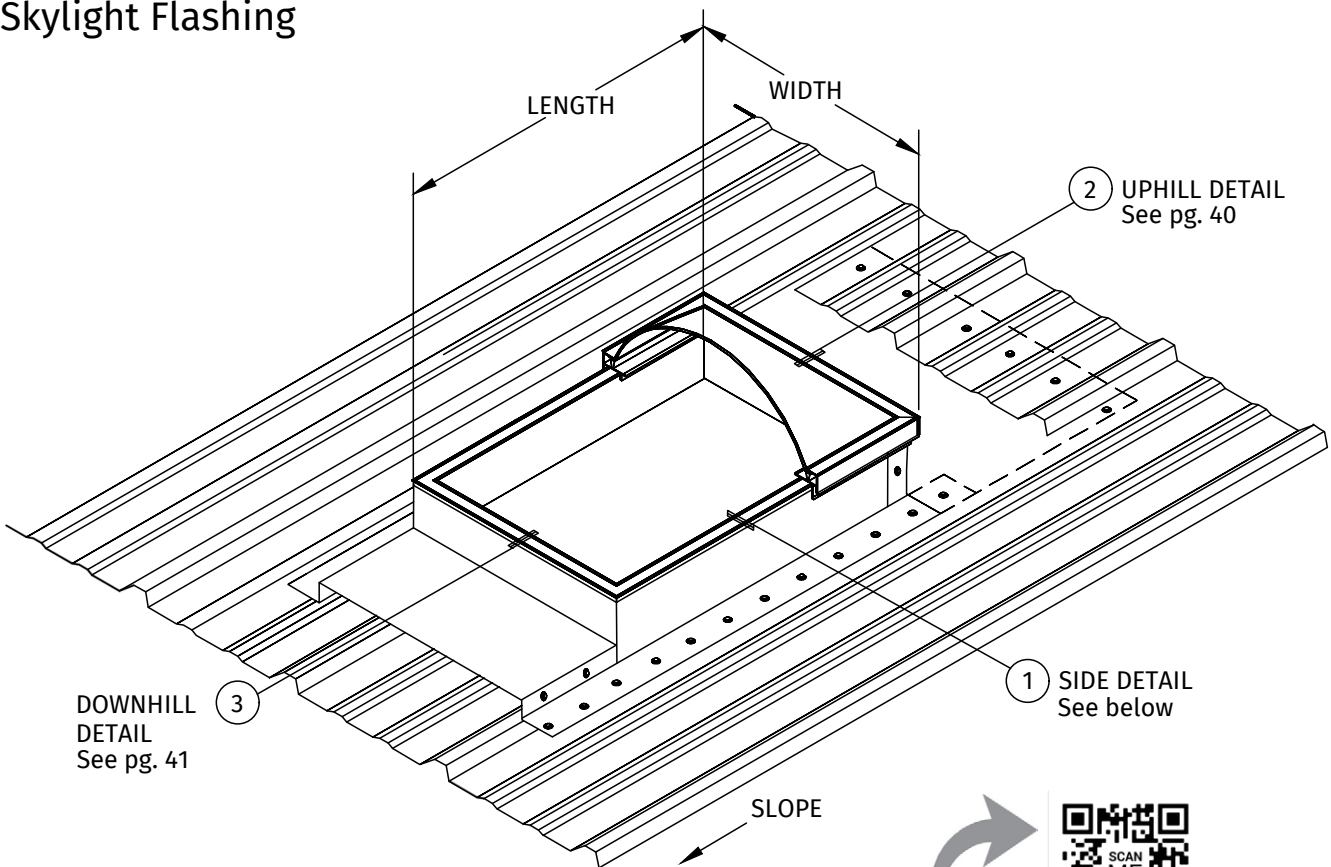
When a penetration occurs through the panel sidelap, install gunnable caulk from the penetration location, all the way uphill to the ridge, peak or endwall to prevent water from running downhill into the opening. See detail at left.

Procedure:

- Trim the opening in the flashing to 20% smaller than the pipe diameter.
- Slide the flashing down over the pipe.
- Seal between the flashing and the roofing with gunnable caulk and set the flashing.
- Form the flashing to fit the profile of the roof.
- Fasten the flashing with #14 x 1" wood screws at 1" O.C.

Note: In many cases it may be easier to locate the vent/ pipe flashing in the flat area of the roof panel (as shown) rather than have the penetration occur at a panel rib. Penetrations at panel ribs also increase the risk of water penetration. Determining panel layout prior to installation often simplifies penetration flashing installation.

Skylight Flashing

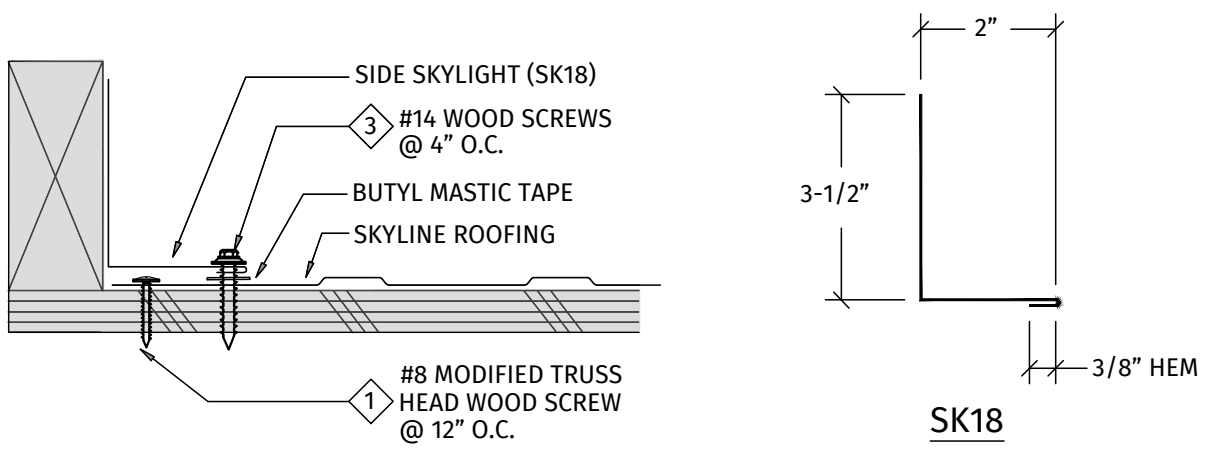


Whenever possible, position the skylight curb so the ribs of the roof panels do not interfere with the flashing. Cut the Skyline Roofing panels as close to the left, right and downhill sides of the curb as possible. Cut the uphill side 6" up from the curb as indicated on the following page.



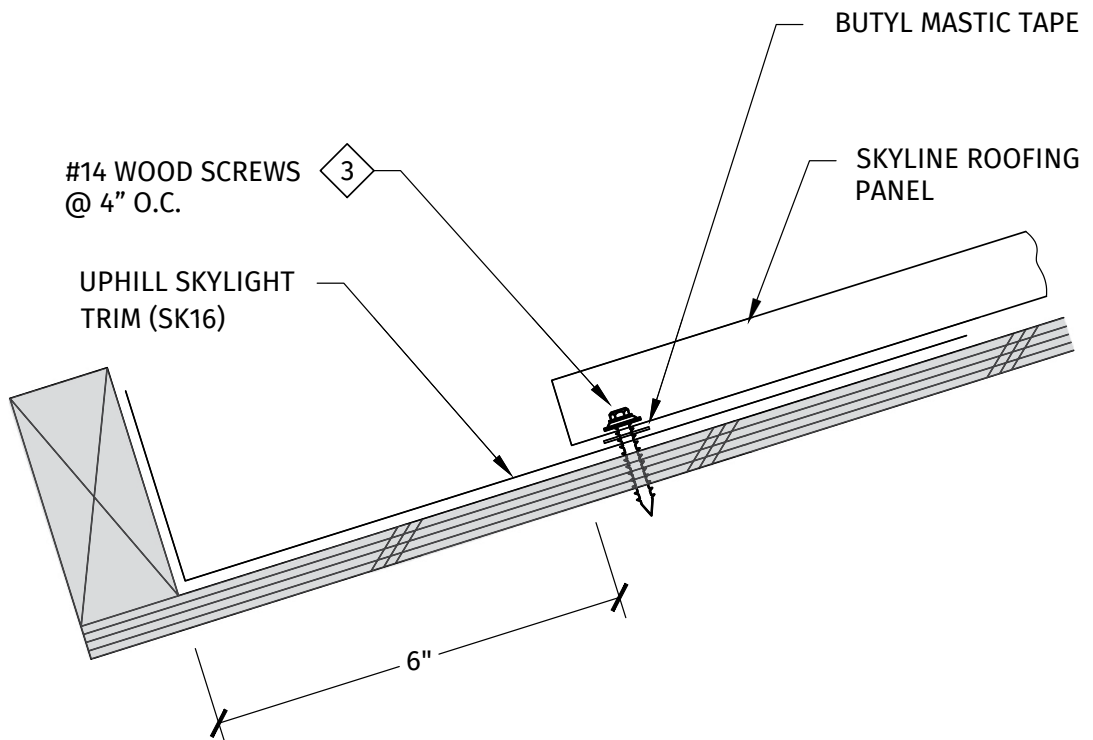
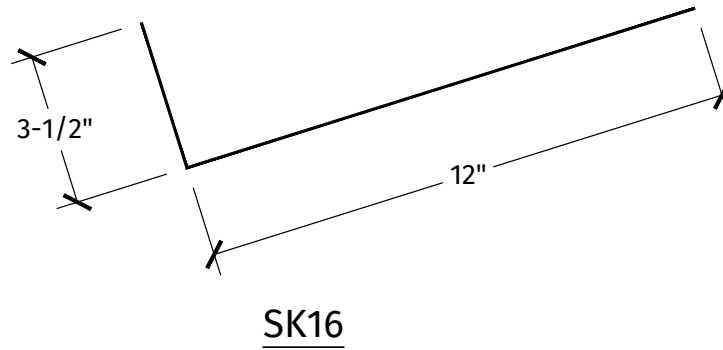
Note: Do not fasten down the panels within 24" uphill of the skylight.

1 – Skylight Flashing (Side)

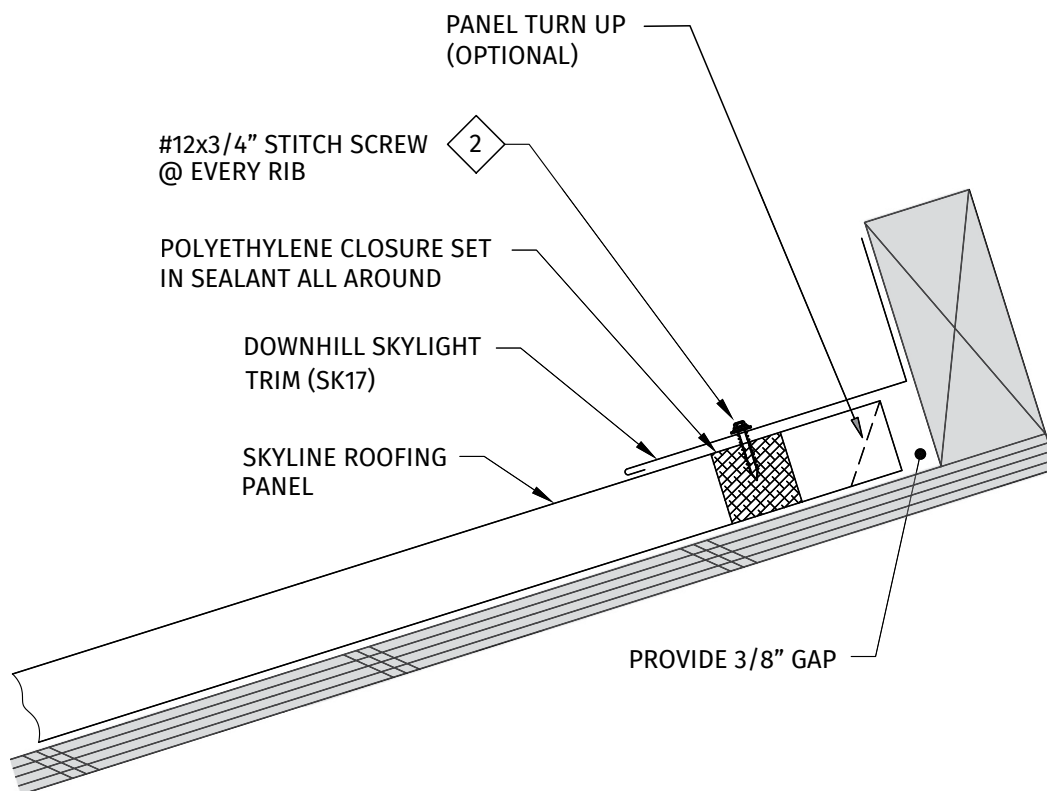
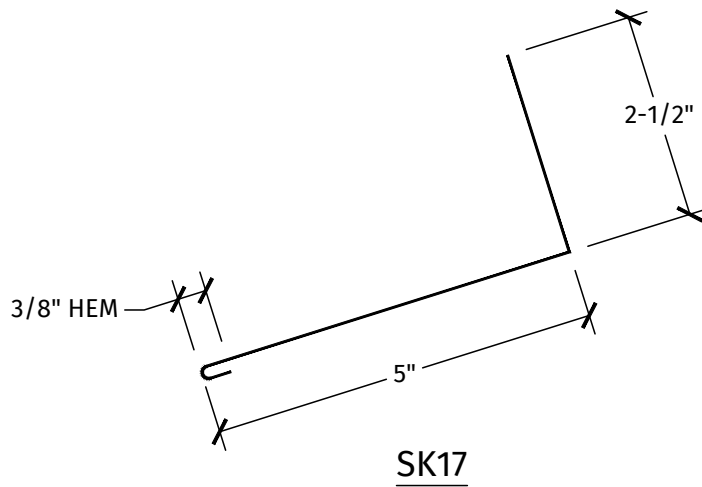


2 – Skylight Flashing (Uphill)

FIXED EAVE DETAILS

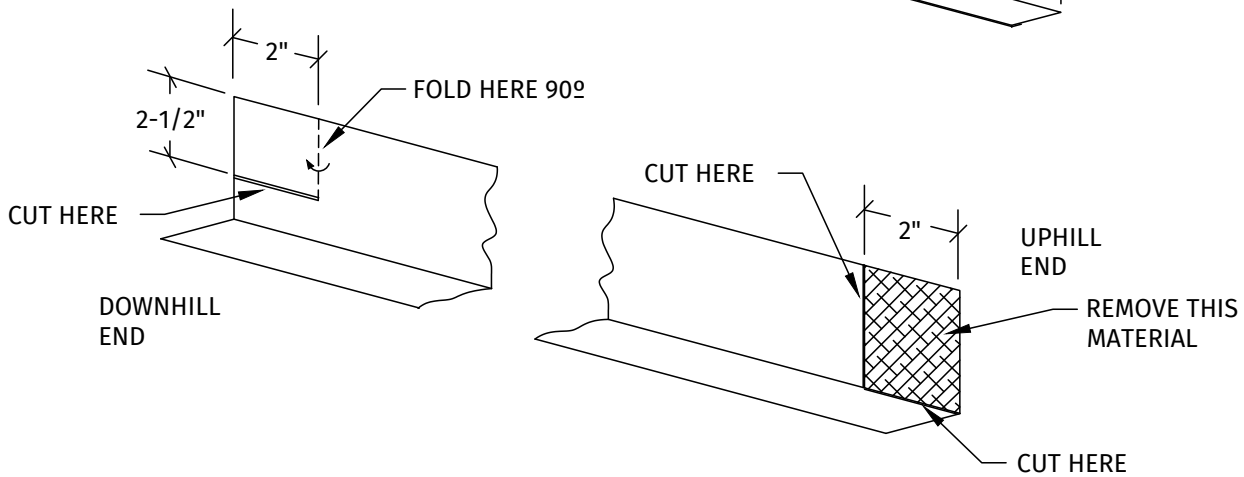
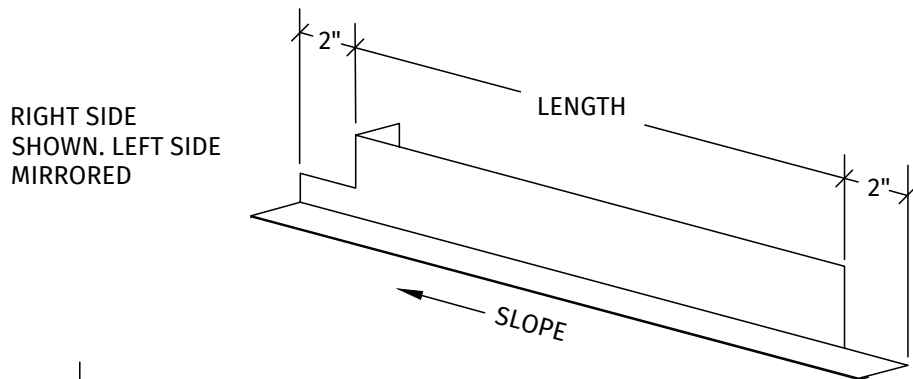
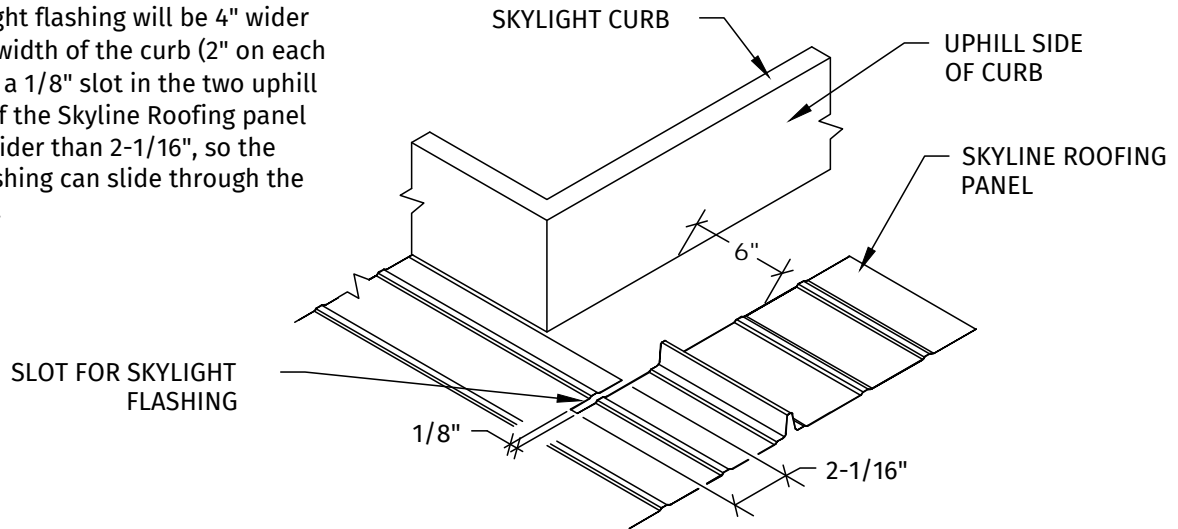


3 – Skylight Flashing (Downhill)

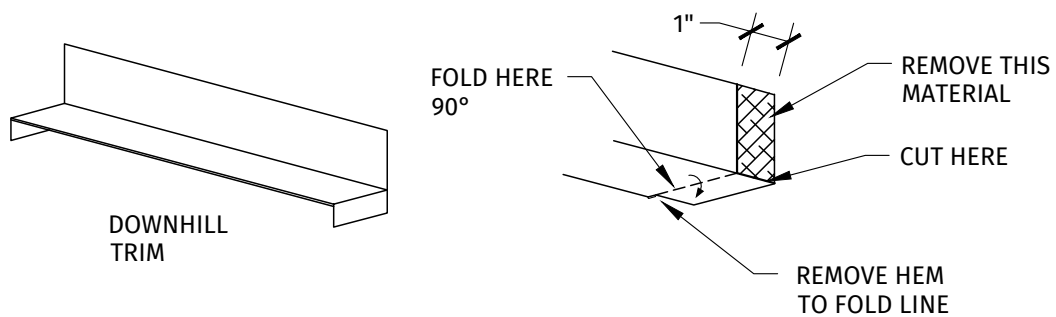
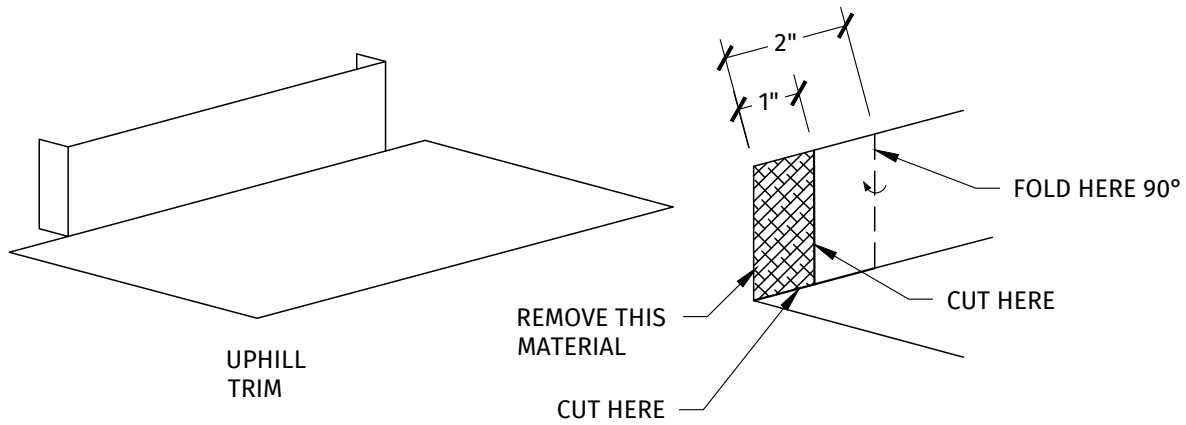


Procedure for the Installation of Skylight Flashings

The skylight flashing will be 4" wider than the width of the curb (2" on each side). Cut a 1/8" slot in the two uphill corners of the Skyline Roofing panel slightly wider than 2-1/16", so the uphill flashing can slide through the two slots.



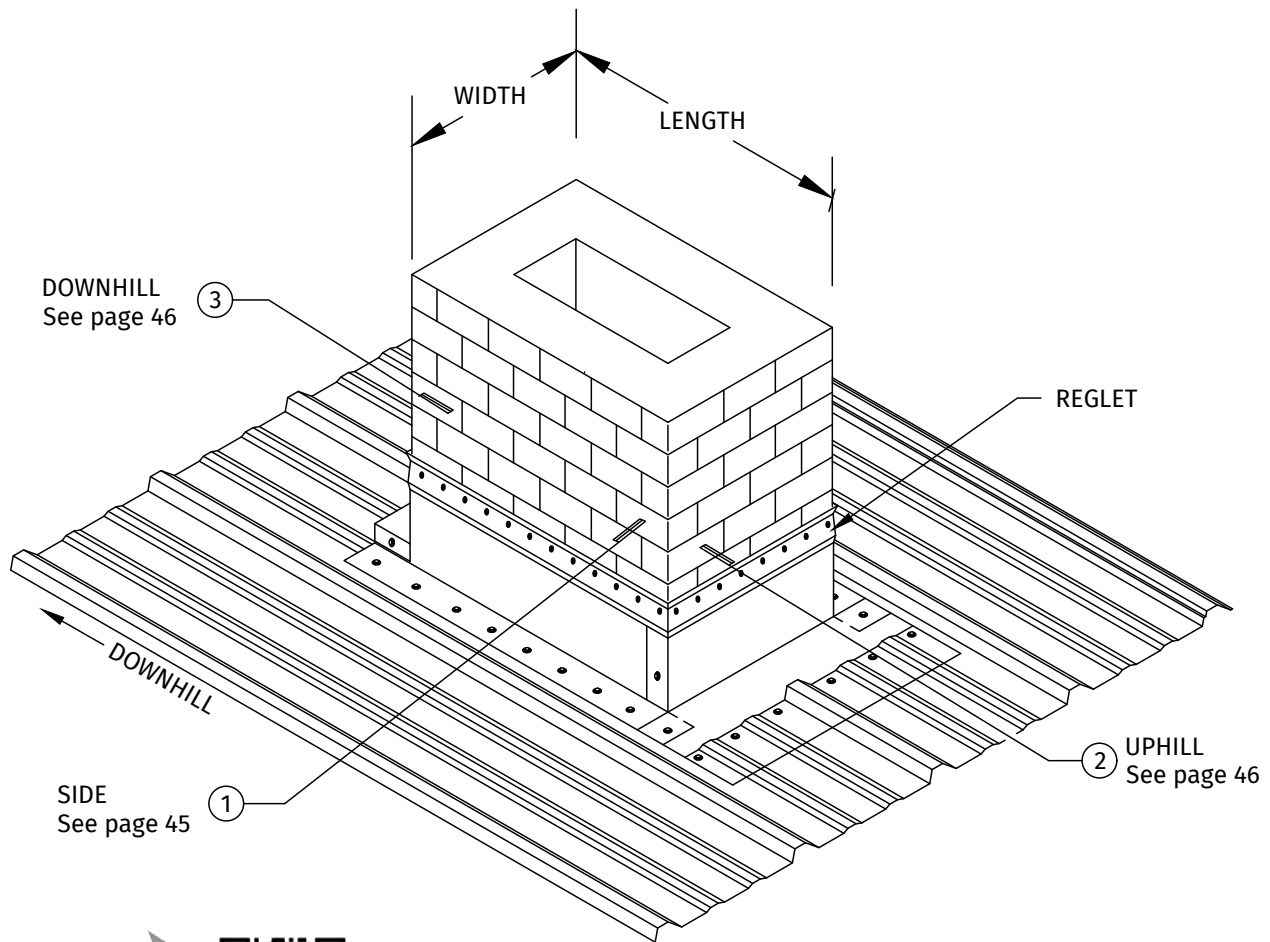
Skylight Flashing Preparation



Procedure:

- Trim both ends of the uphill and downhill sides of the skylight flashing as indicated.
- Slide the uphill flashing into the slots of the Skyline Roofing and apply liberal amount of gunnable caulking.
- Assemble the skylight as indicated on previous pages.

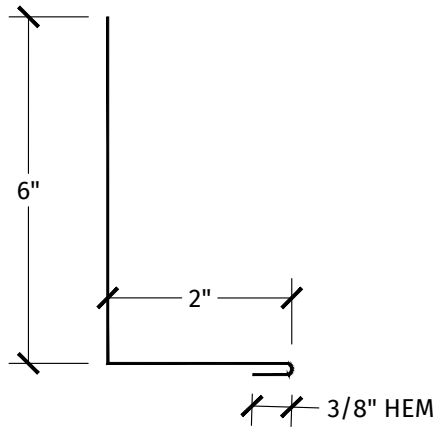
Chimney Flashing



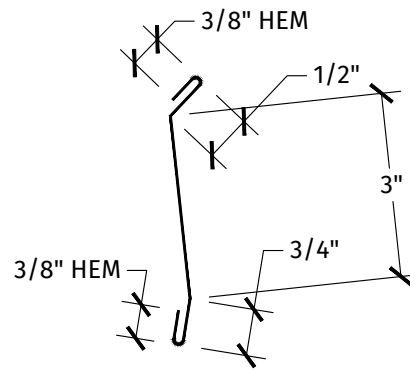
Note: Procedure for the installation of chimney flashings is similar to the skylights. The reglet "RG16" shown may be deleted if the chimney is clad with siding. (Lap the siding over the flashing and caulk). Be sure to specify the slope and the orientation of the chimney dimensions when ordering this assembly.

** A reglet is a flashing found on the side of a wall, chimney or other similar roof penetration.

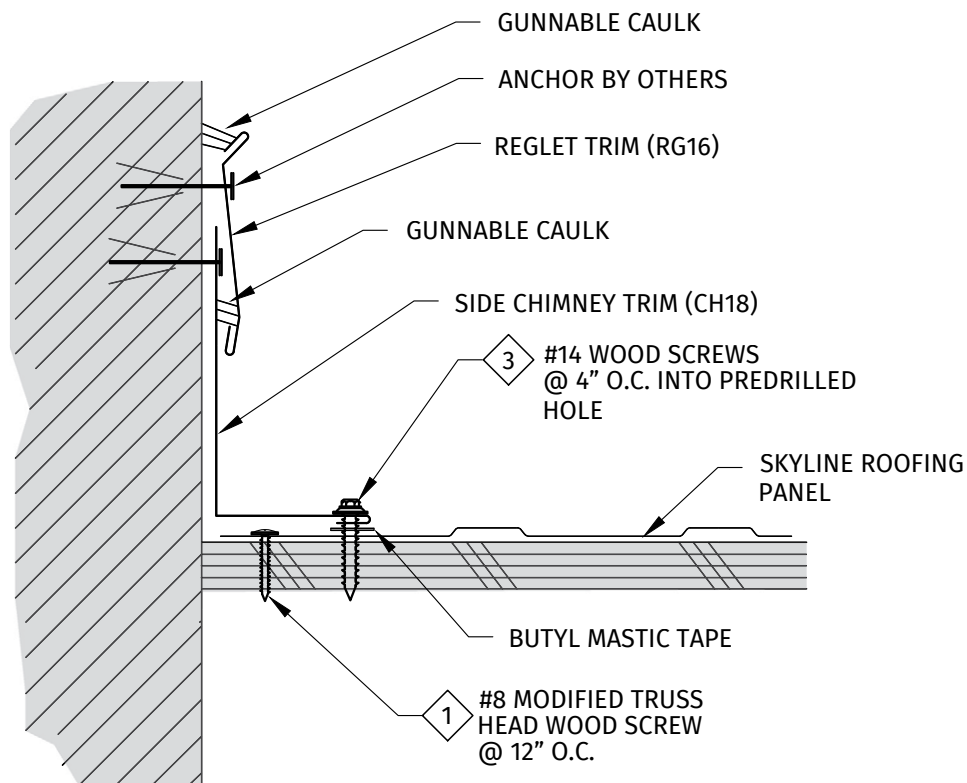
① – Chimney Flashing (Side)



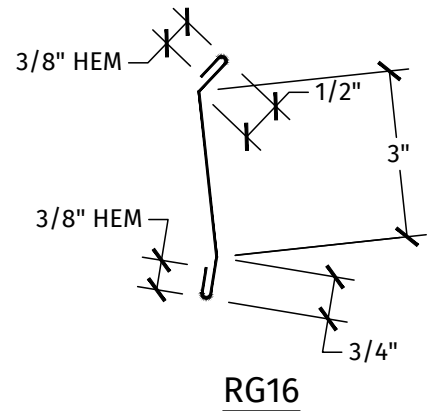
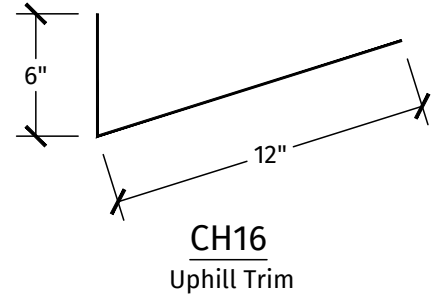
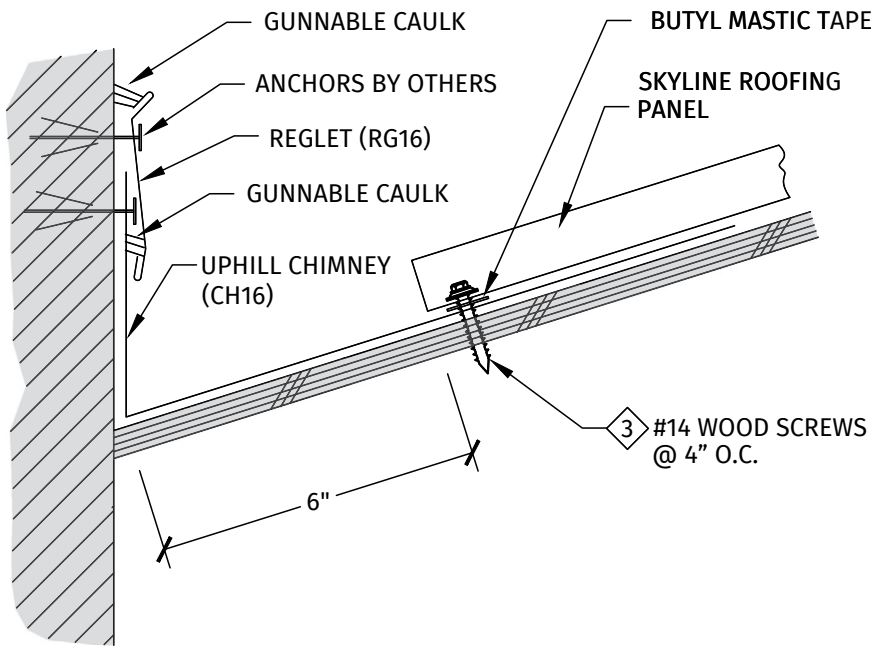
CH18
Side Flashing



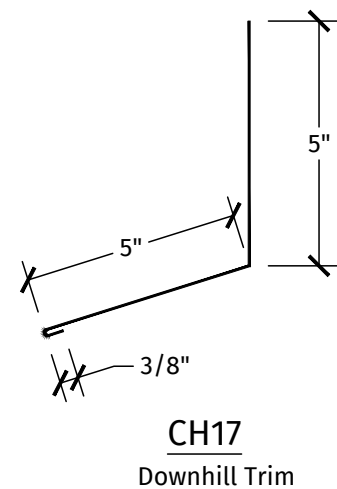
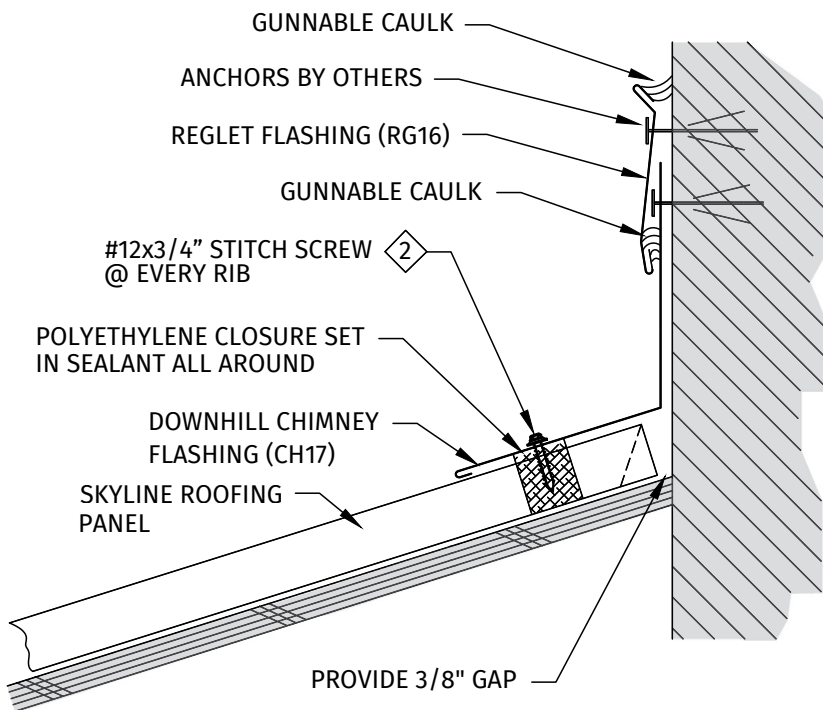
RG16
Reglet Flashing



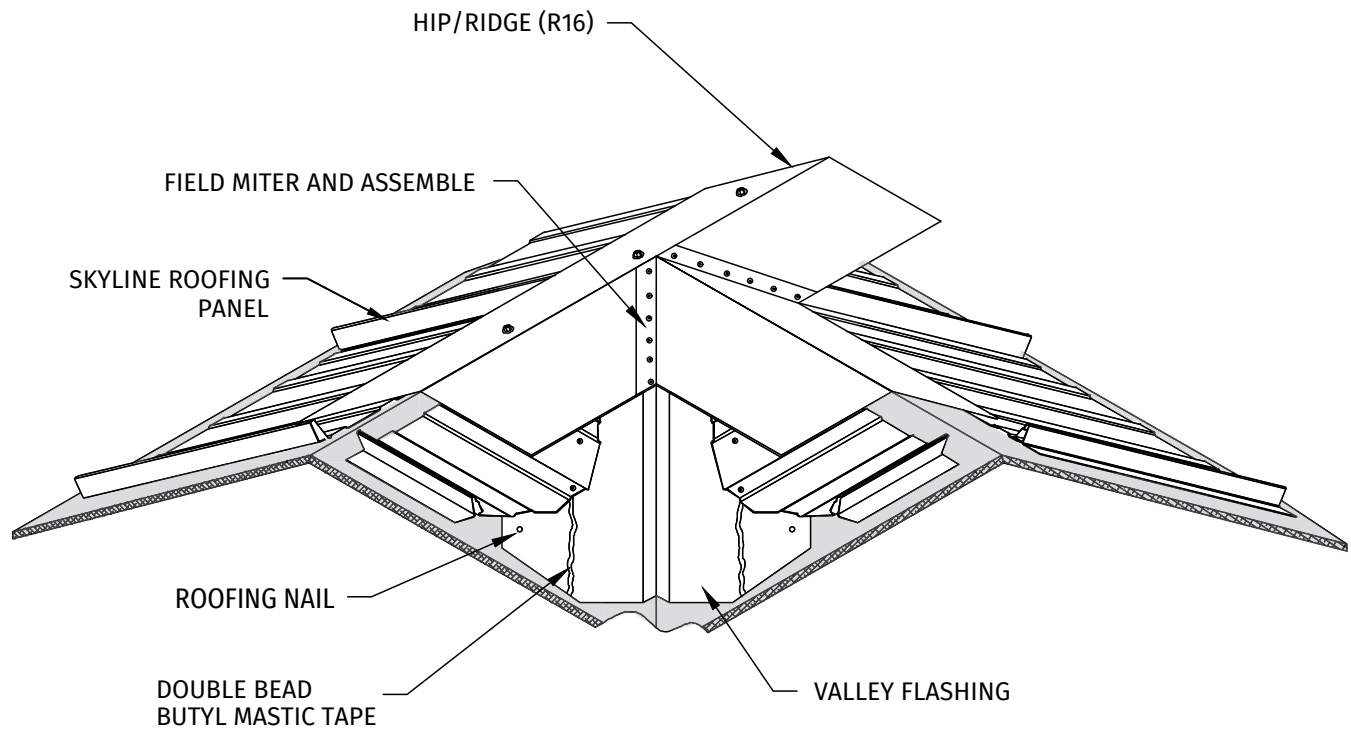
2 – Chimney Flashing (Uphill)



3 – Chimney Flashing (Downhill)

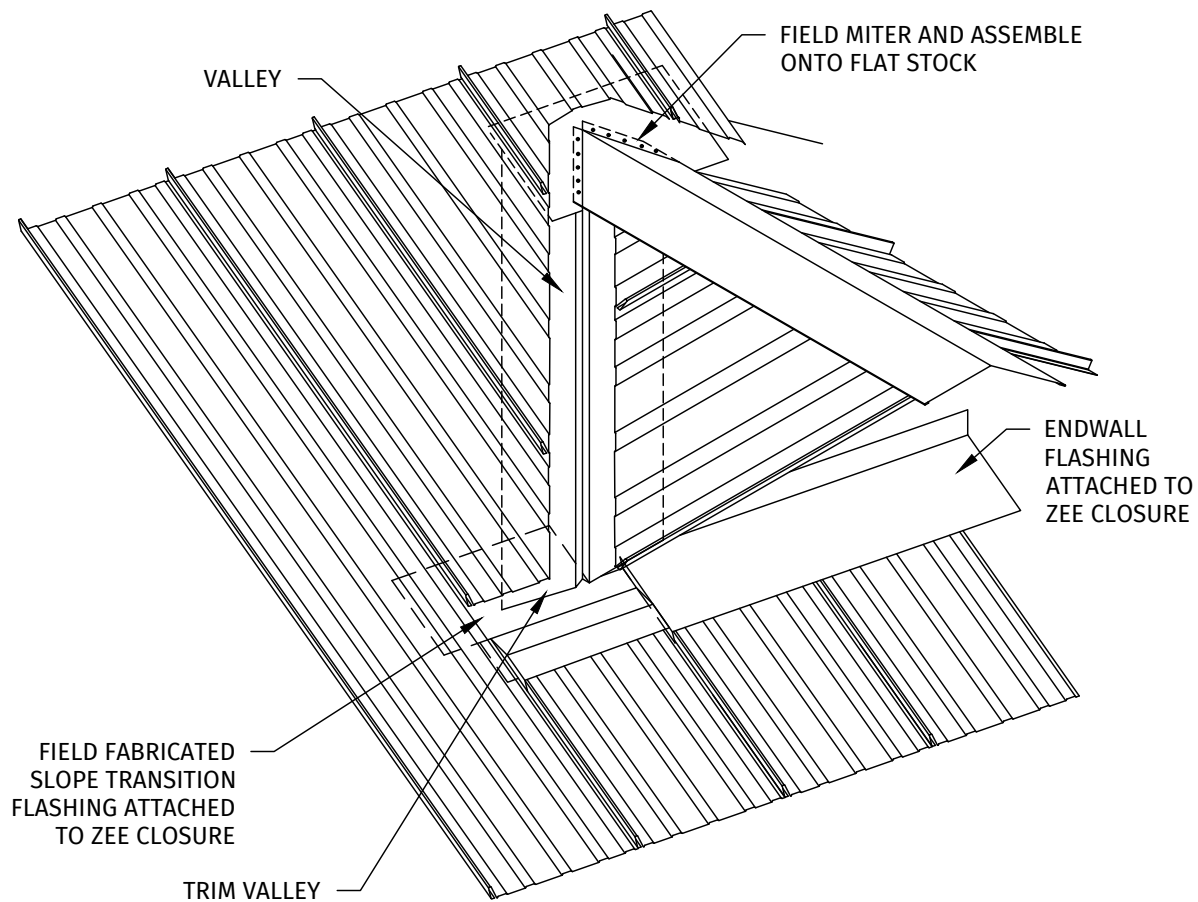


Valley Top End



Note: Foam or metal closures and caulking are required between the intersecting ridge cap and the valley flashing to provide adequate weathertightness.

Valley Dormer



Procedure:

- Place a second layer of 36" roof felt in the valley center line with 18" of paper on each side.
- Caulk and lap the subsequent valley flashings a minimum of 8".
- Parallel to the valley, place row of double beaded butyl mastic tape as shown on pg. 17.
- Field cut the panels holding a minimum of 4" back from the valley as shown. Larger valleys, without the center V, may be required in snow country installations.
- Attach the panels to the roof and 'thru-fasten' along the bottom end using (4) #14 wood screws per panel evenly spaced so they align with the butyl tape sealant as shown on pg. 17.

Notes:

- Valley dimensions must be the proper width to account for slope, snow, ice and rain conditions. An underlayment such as rubberized cold-applied membrane is recommended. The membrane is installed first, extending 3'-0" up from the center of the valley on each side, with felt overlapping the membrane.
- Foam or metal closures and caulking are required between the intersecting ridge cap and the valley flashing to provide adequate weathertightness.

Panel Installation - Floating Eave Install. Method

GENERAL

Study the details section of this manual prior to the installation of the panels. Pay close attention to the following:

- Flashings that need to be installed prior to the panels include valley, eave trims, pre-hung gutters, chalet gable, adjustable gable, and penetration flashings for

skylights, chimneys, etc.

- Some panels may require "turn-up" at the uphill end prior to their installation.
- Apply caulking to the pre-installed flashings per the installation details.

Table 1: Panel Attachment & Outward (Wind Uplift) Load Capacities

Panel Width	Panel Gage	Plywood / OSB Thickness Min. ¹	Fastener Size	Fastener Spacing ²	Basic Wind Speed Met (mph) ³ (IRC only)	Outward Wind Load Capacity (psf) ⁴ (IRC and IBC)
16"	26	15/32"	#8 or #10	22"	110	29
	26			11"	110	31
16"	24	15/32"	#8	22"	110	29
				#10	22"	115
	24		#8 or #10	11"	130	45
12"	26	15/32"	#8 or #10	22"	115	34
	26			11"	120	39

Notes:

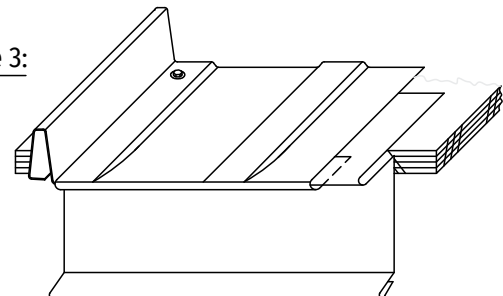
1. Alternate substrate thicknesses have not been included as they don't result in greater outward wind load capacities. Inward gravity loads (snow, etc.) are also resisted by the substrate therefore substrate thickness must be evaluated to account for these inward loads.
2. Skyline Roofing panels utilize fastener mounting slots at 11" intervals.
3. Basic Wind Speed Met is based on 2021 International Residential Code (IRC) code provisions (IRC Section R301.2.1) using the following assumptions: Slope >2:12, Wind exposure =B, Mean roof height ≤ 30', No topographic effects. These values only apply to projects that fall under the 2021 IRC. For applications beyond the assumptions above, please refer to IRC Section R301.2.1 for necessary adjustments, or consult a design professional for assistance.
4. Refer to IAPMO-UES Building Code Compliance Report #ER-0309 as needed for further information.

PROCEDURE FOR INSTALLING PANELS LESS THAN 40 FT. IN LENGTH

1. Notch 1" at the downhill end of the panel and fold down.
2. Confirm proper length of panel at both uphill and downhill ends, ensuring panel cleat (or eave trim 'nose') engagement is considered for turned-under downhill edge.
3. Align the female edge of the first panel with the alignment line constructed along the start gable (see pg. 7, item 4).
4. After the first panel is properly positioned, affix the gable side of the roof as shown in Figure #3. Then attach the first panel along the nailing flange. Refer to Table #1 for roof fastener spacing.
5. Align the second panel edge with the first panel edge (Figure #4). Make sure the panels are even with each other along the eave edge.

6. Snap the panels together at the seam with light foot pressure. Work the seam together from the eave end toward the ridge. DO NOT work the seam from both ends toward the middle.
7. After engaging the panel seams, fasten the second panel to the roof through the nailing flange.
8. Apply consecutive panels as in items #4 through #6 above.

Figure 3:



Panel Installation (continued)

PANELS GREATER THAN 40 FT. IN LENGTH

1. Notch 1" at the downhill end of the panel and fold down.
2. Confirm proper length of panel at both uphill and downhill ends, ensuring panel cleat (or eave trim 'nose') engagement is considered for turned-under downhill edge.
3. Align the female edge of the first panel with the alignment line constructed along the start gable (see pg. 7, item 4).
4. After the first panel is properly positioned, affix the gable side of the roof as shown in Figure #3. Then fasten the uphill end of the panel (at ridge) with #14 wood screws. (3 minimum for 16in panel, (2) min. for 12in panel.
5. Attach the first panel along the nailing flange using sliding clips starting 4" from downhill end of panel and spaced every 24in maximum along length of panel.
6. Align the second panel edge with the first panel edge (Figure #4). Make sure the panels are even with each other along the eave edge.
7. Snap the panels together at the seam with light foot pressure. Work the seam together from one end of the panel to the other. DO NOT work the seam from both ends toward the middle.
8. Apply consecutive panels following steps 5-7.
9. Install the gable flashings on both sides of the roof (Make sure the G16 flashing is used in both cases so that the panel is free to expand and contract. (See "Start and End Gable" Flashings Details for procedure).

Figure 4:

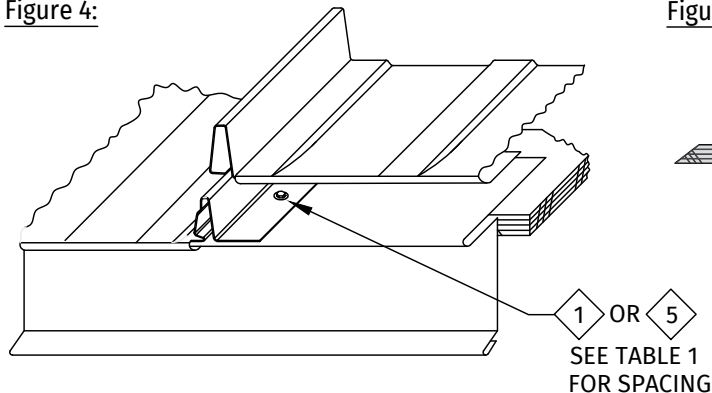


Figure 5:

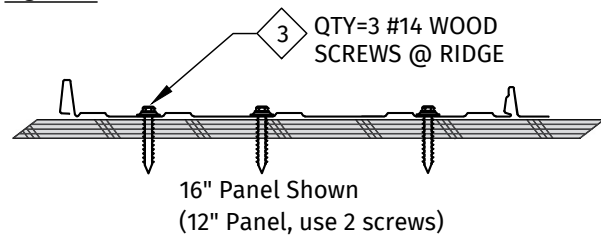
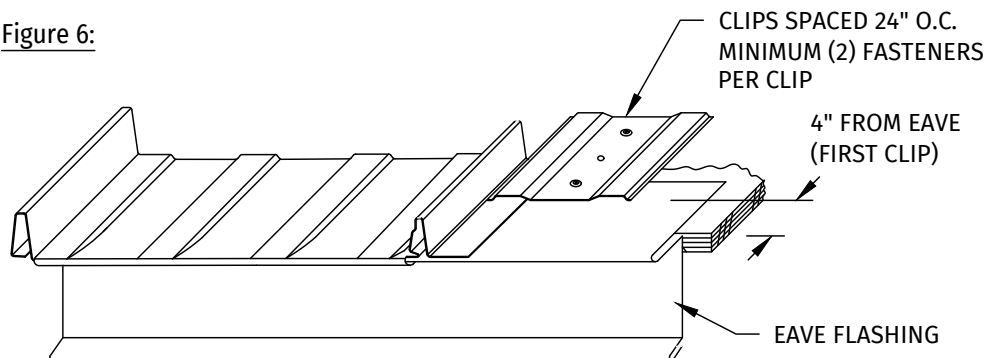
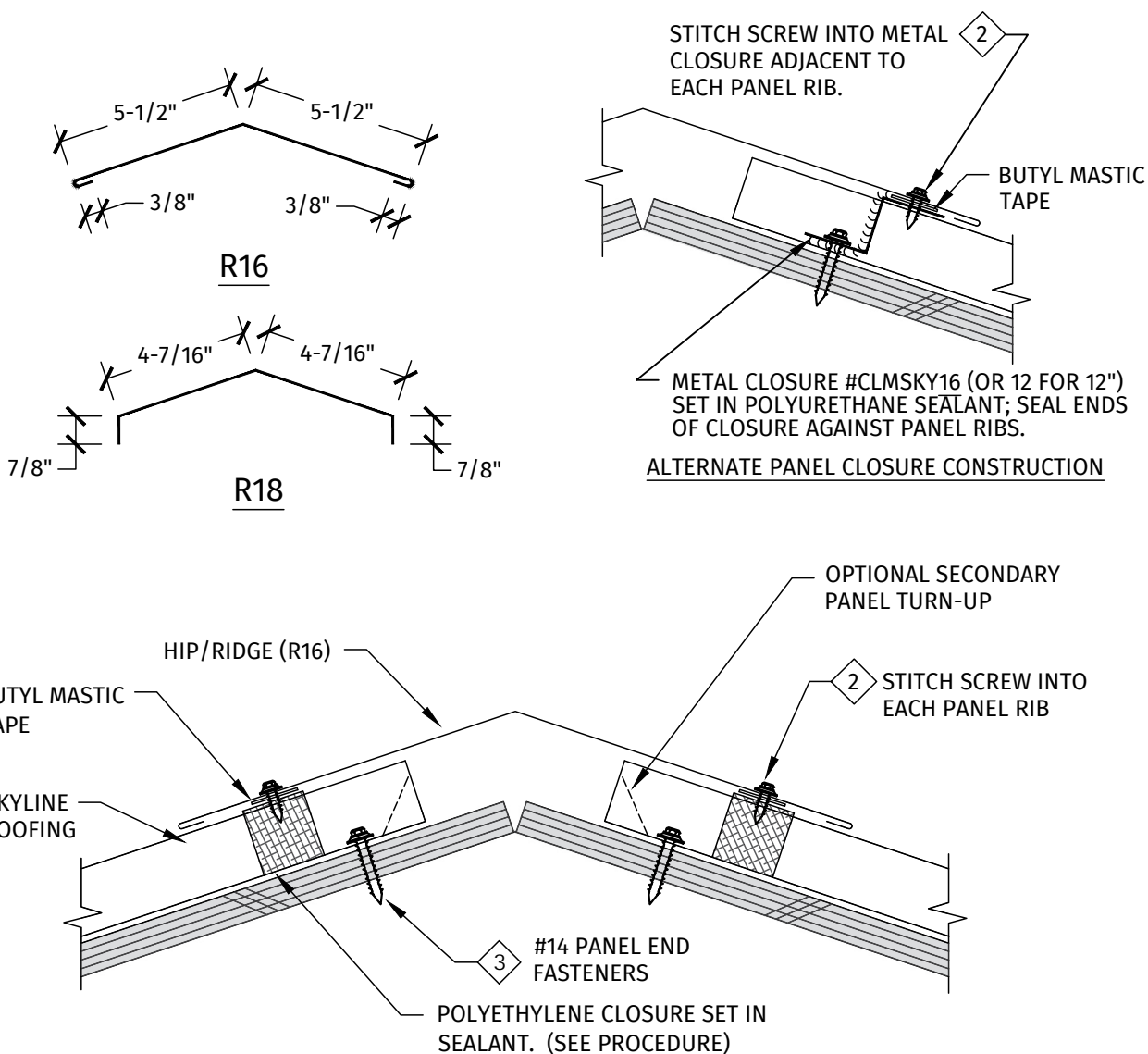


Figure 6:



Hip/Ridge Flashing (non-vented)



Procedure:

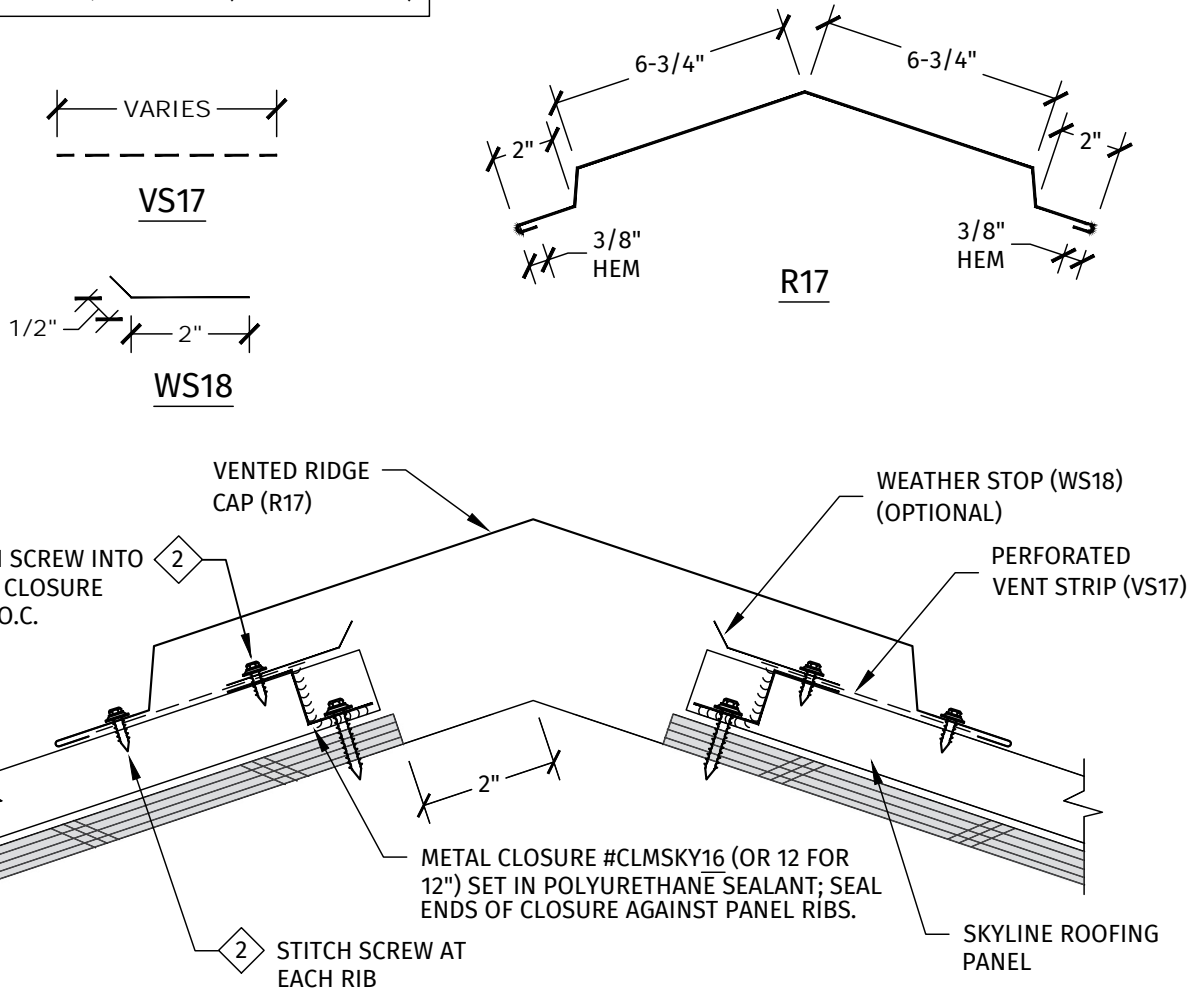
- After verifying roof panel lengths, hook downhill edge of panels onto panel cleats and snap metal roofing down into place.
- Install row of #14 fasteners across top edge of panel. (3) minimum for 16" panel, (2) for 12".
- Define installation location of closures by marking position downslope of ridge that allows for some ridge cap flashing overlap.
- Caulk the bottom and sides of polyethylene closure and set into place. Apply butyl mastic tape across the top of the closure.
- Attached ridge cap by using #12 stitch screws through closure and into panel ribs. Pre-drilling holes may assist assembly.

For alternate metal closure install:

- Clean metal surfaces and install metal closure by setting into bead of polyurethane sealant. Screw into place using minimum (2) fasteners for 12" wide panel, and (3) fasteners for 16" panel. Seal ends of closure at panel ribs.
- Apply butyl mastic tape across top edge of metal closure and attach ridge cap (R16) to the metal closure using #12 x 3/4" stitch screws adjacent to each panel rib.
- Caulk, lap and rivet sequential flashings (see appendix).

Vented Ridge Flashing

THIS DETAIL MEETS WILDFIRE
CODE REQUIREMENTS (IWUIC & CA SFM)



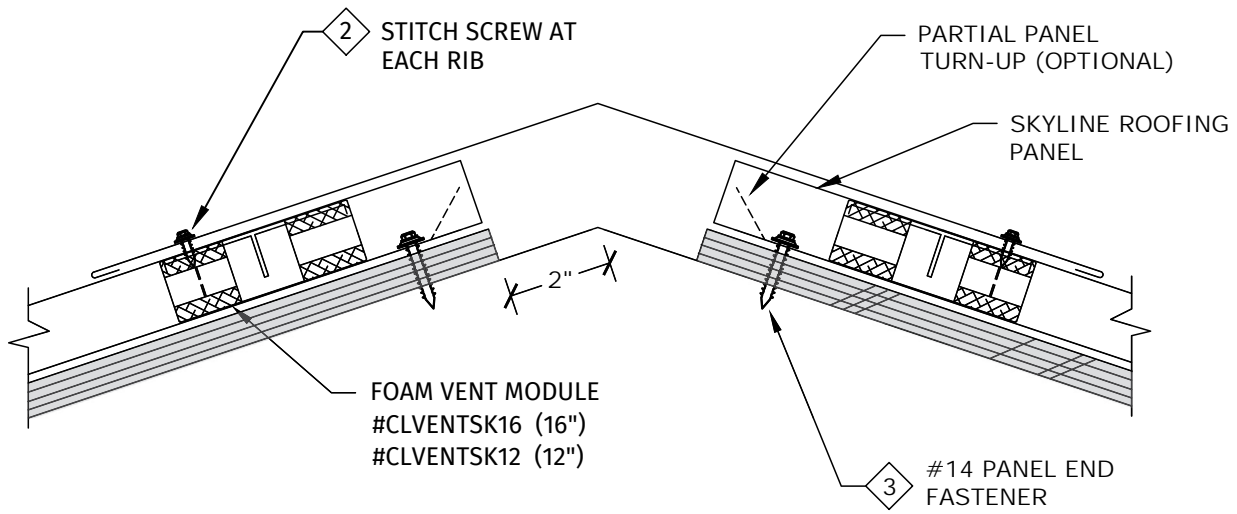
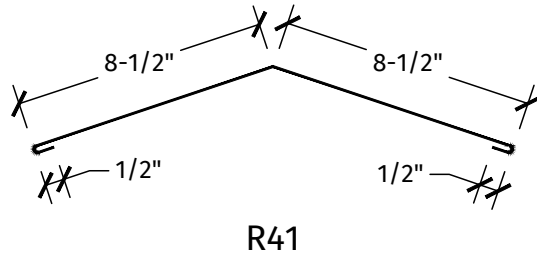
NET FREE VENTILATION AREA (NFVA)												
SLOPE:	1:12	2:12	3:12	4:12	5:12	6:12	7:12	8:12	9:12	10:12	11:12	12:12
NFVA (IN ² /LFT):	22.0	20.7	19.5	18.2	16.9	15.6	14.2	12.8	11.6	10.1	8.8	7.4

Procedure:

- Substrate should be held back 2" from ridge for venting.
- After verifying roof panel lengths, hook downhill edge of panels onto panel cleats and snap metal roofing down into place.
- Clean metal surfaces and install metal closure at top edge of panel by setting into bead of polyurethane sealant. Screw into place using minimum (2) fasteners for 12" wide panel, and (3) fasteners for 16" panel. Seal ends of closure at panel ribs.
- Attach perforated metal vent strip onto metal closure by using #12 x 3/4" stitch screws at 12" O.C.
- Attach ridge cap (R17) through vented strip and into top of panel ribs using #12 x 3/4" stitch screws into each panel rib. Pre-drilling screw holes may be necessary to help positioning of fasteners. Alternatively, installing these screws adjacent to each panel rib and into vent strip is also acceptable.
- Caulk, lap and rivet sequential flashings (see appendix).

Vented Ridge Flashing

QUICK INSTALL, NON-WILDFIRE RATED
INSTALLATION DETAIL

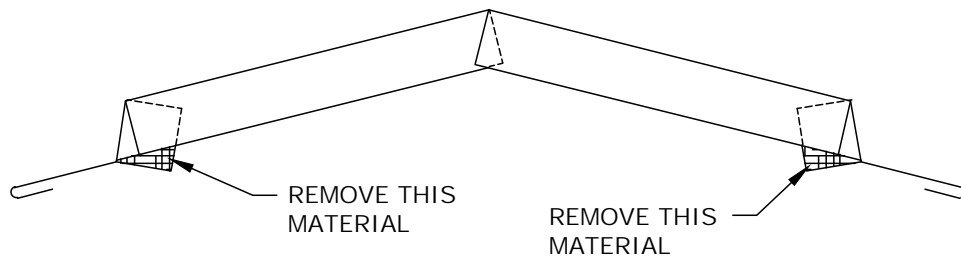
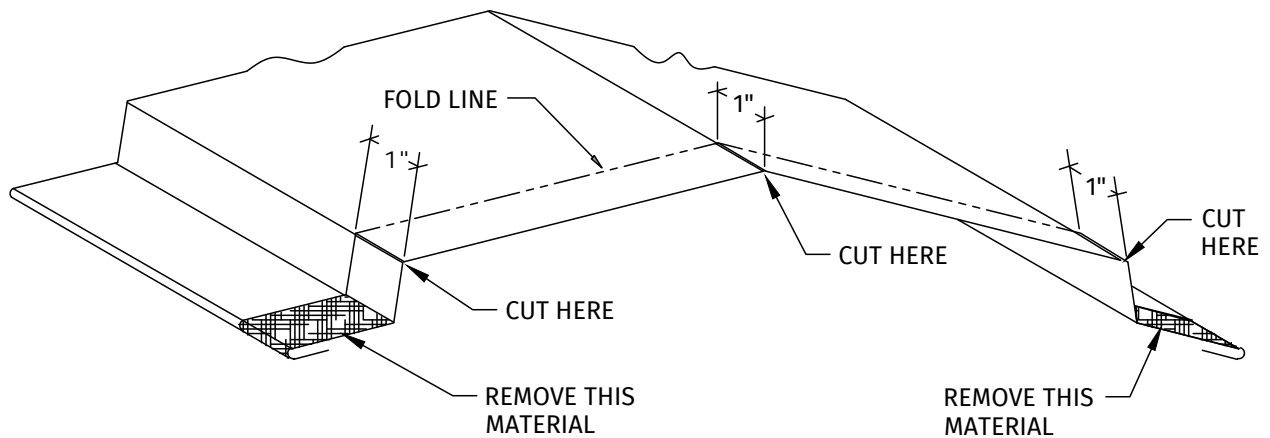
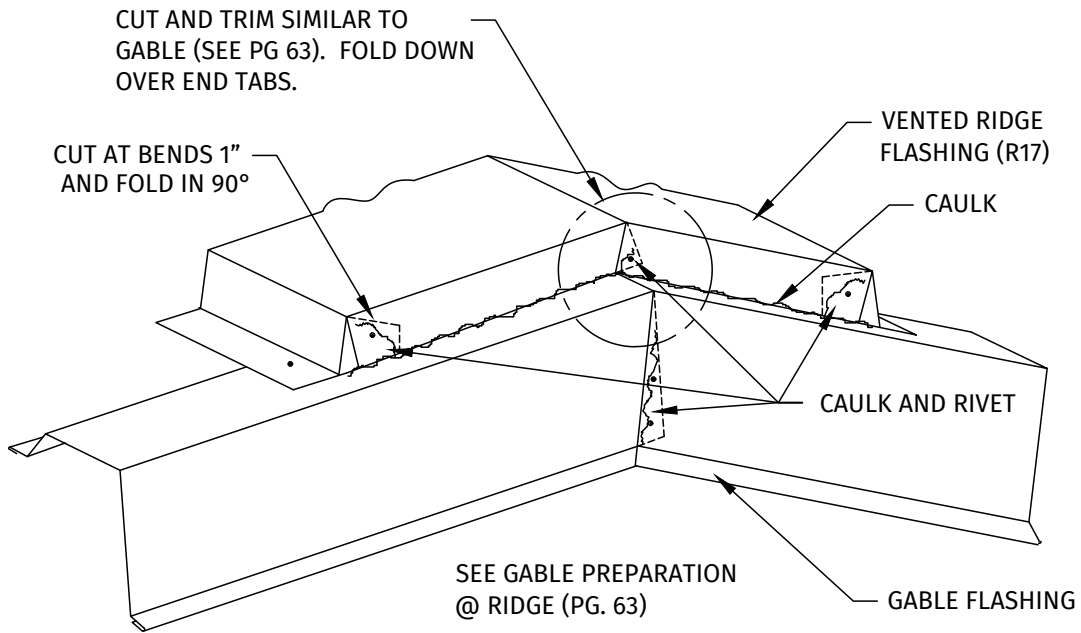


NET FREE VENTILATION AREA (NFVA): 9.7 IN²/LFT

Procedure:

- Substrate should be held back 2" from ridge for venting.
- After verifying roof panel lengths, hook downhill edge of panels onto panel cleats and snap metal roofing down into place.
- Install the ridge vent strip by setting into bead of polyurethane sealant along bottom and sides.
- Apply a bead of butyl mastic tape or polyurethane sealant across the top of the ridge vent and position ridge cap into place
- Attach ridge cap (R41) through the polyethylene ridge vent strip and into top of panel ribs using #12 x 3/4" stitch screws into each panel rib. Pre-drilling screw holes may be necessary to help positioning of fasteners.
- Caulk, lap and rivet sequential flashings (see appendix).

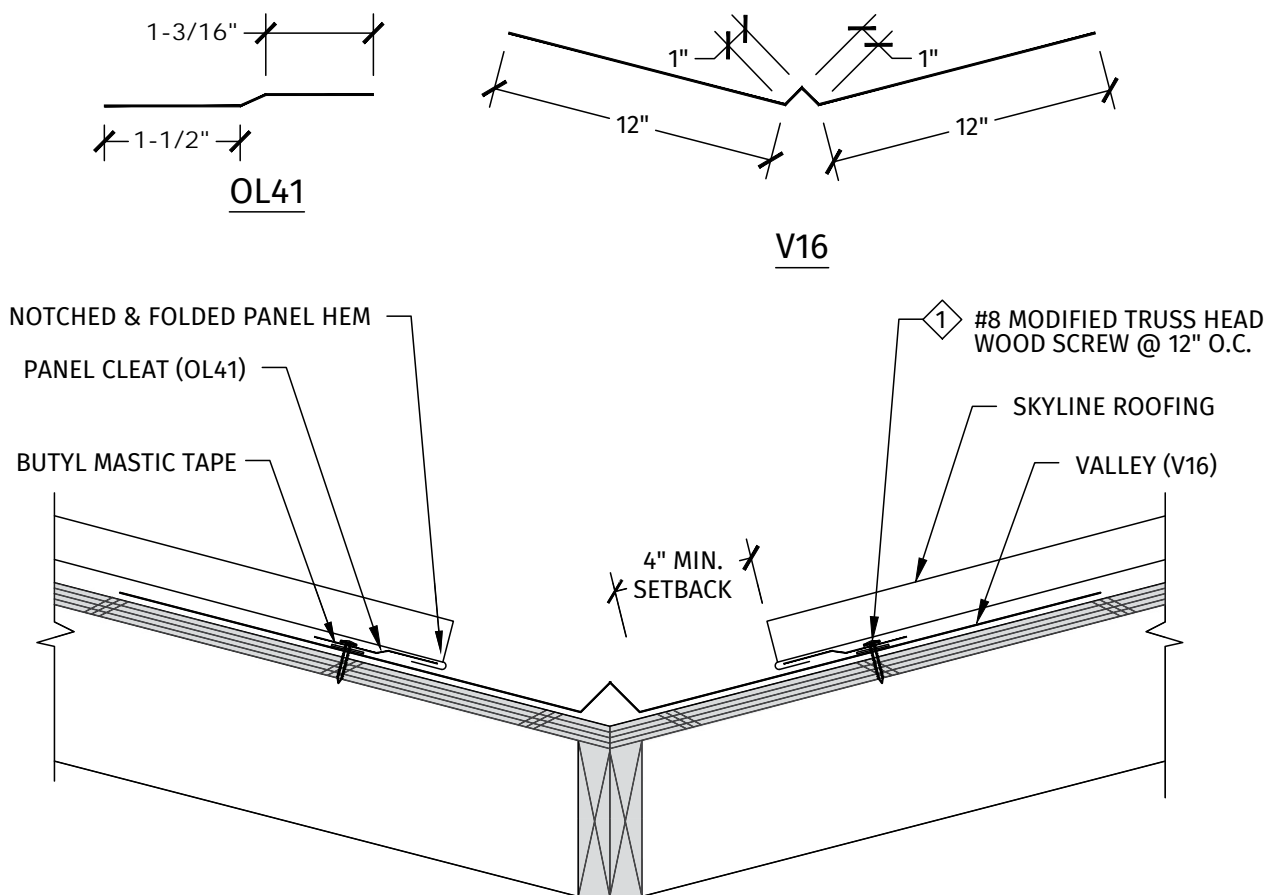
Vented Ridge (R17) Termination



FLOATING EAVE DETAILS

Valley Flashing

Note: This flashing must be installed prior to the panels.



Procedure:

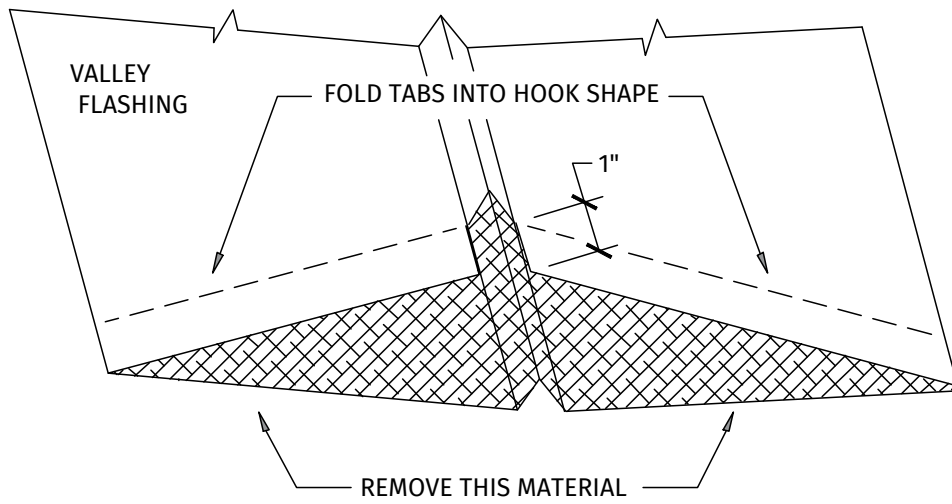
- Place a secondary layer of 36" wide roof underlayment along the valley center line.
- Starting at the downhill end of the valley, trim and place the valley flashing (V16) so it overhangs the eaves 1". Fold valley end over nose of eave trim. Refer to following page for details.
- Caulk and overlap the subsequent uphill valley flashings a minimum of 8".
- Apply butyl mastic tape to the underside of the panel cleat.
- Install cleat a minimum of 4" back from valley centerline as shown. Note: Larger valleys, without the center rib, may be required in snow country installations.
- Field cut, notch, and turn under the Skyline Roofing panels.

- After verifying roof panel lengths, hook downhill edge of panels onto panel cleats and snap metal roofing down into place.

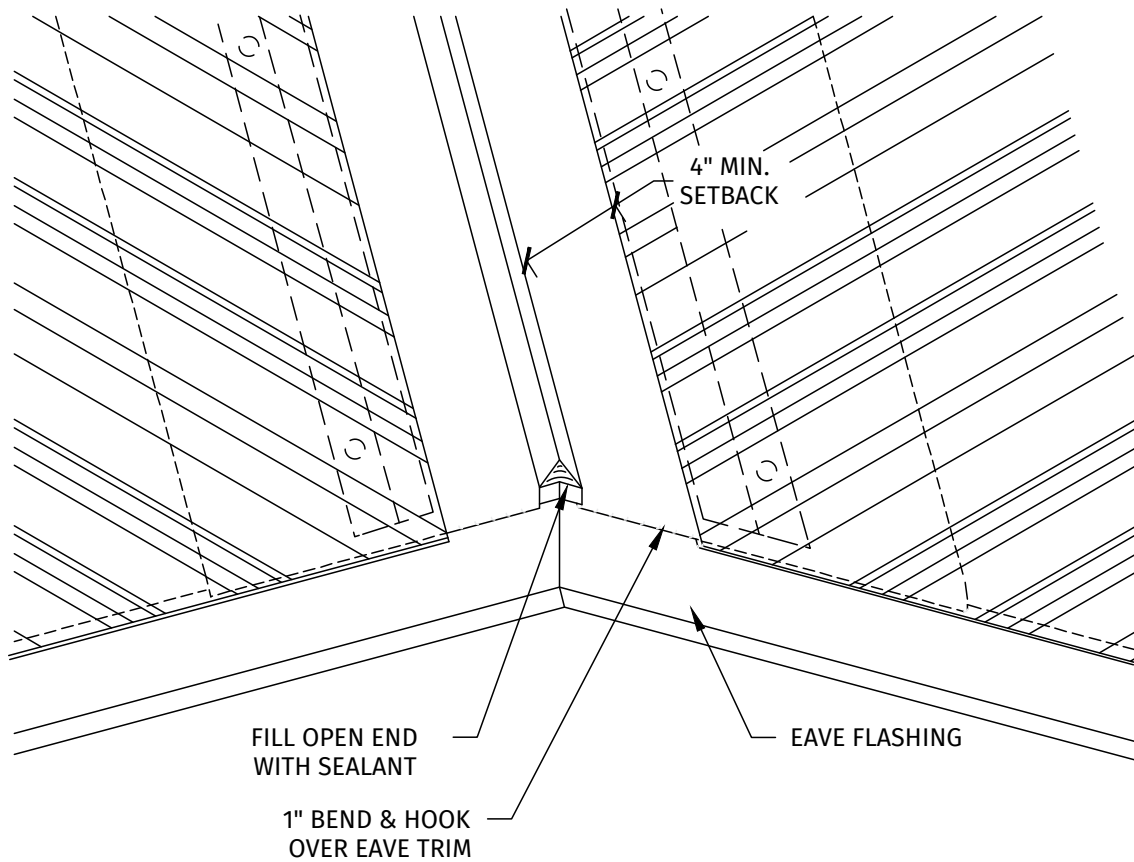
Note:

- Valley dimensions must be the proper width to account for slope, snow, ice and rain conditions. An underlayment such as a rubberized cold-applied membrane is recommended. The membrane is installed first, extending 3'-0" up from the center of the valley on each side, with felt overlapping the membrane.
- Refer to applicable building codes to ensure roof valley construction meets code requirements. Certain jurisdictions, like wildfire prone areas, may require different construction methods or materials.

Valley Termination



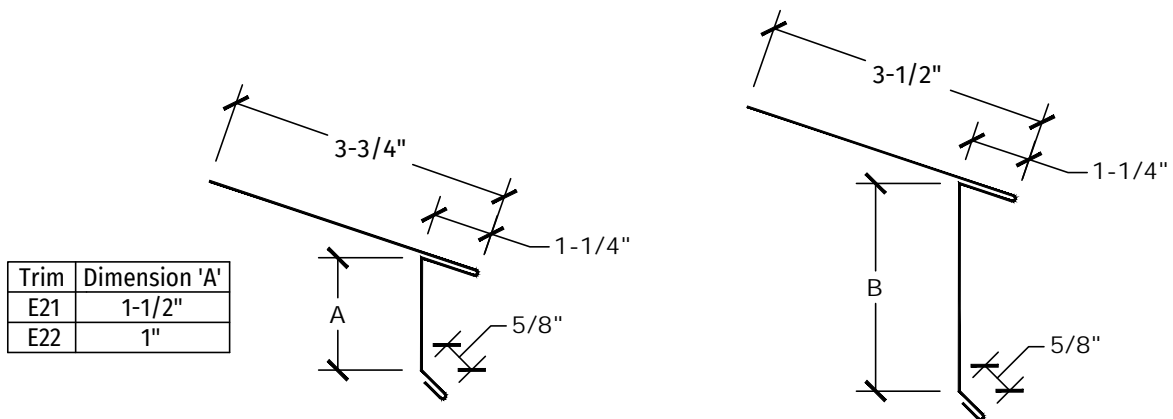
SEE PREVIOUS PAGE FOR
FASTENING & SEALING REQUIREMENTS



FLOATING EAVE DETAILS

Eave Flashing

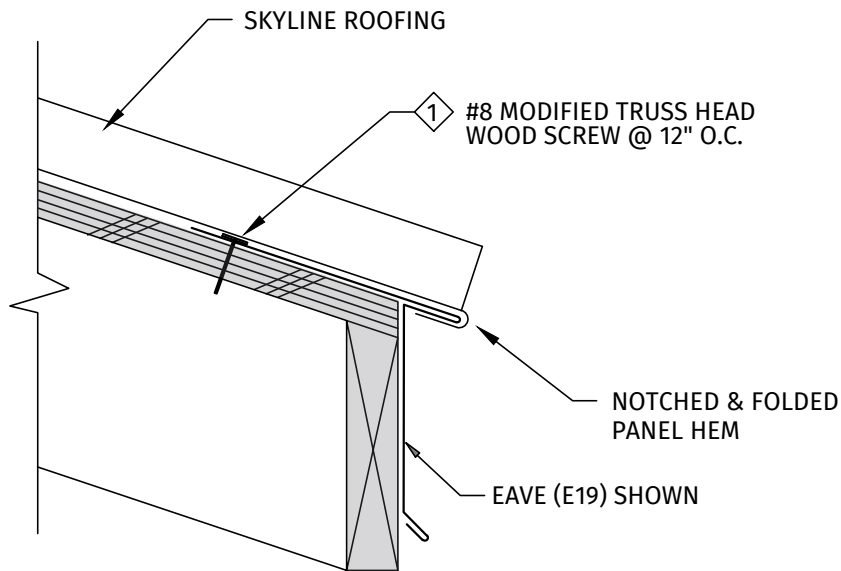
Note: This flashing must be installed prior to the panels.



Trim	Dimension 'A'
E21	1-1/2"
E22	1"

E19

Roof Pitch	Dimension 'B'
3:12 - 5:12	3-1/4"
6:12 - 8:12	3-1/2"
9:12 - 10:12	3-3/4"
11:12 - 12:12	4-1/8"



Procedure:

- Attach the eave flashing with trim screws on the roof with fasteners spaced at 12" O.C. max.
- Hook the notched and turned under panels onto the eave flashing, maintaining space for thermal movement
- Caulk and lap flashings (see appendix).

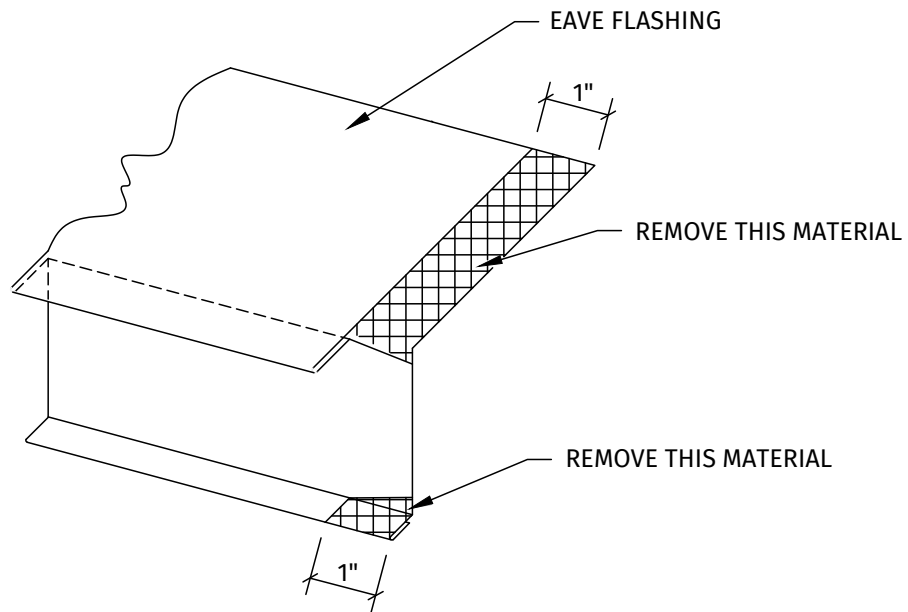
Notes:

- E19 eave flashing is designed to work in conjunction with G17 & G18 gable flashings. E21 & E22 are shorter face eave trims for applications where a smaller flashing face is desired.

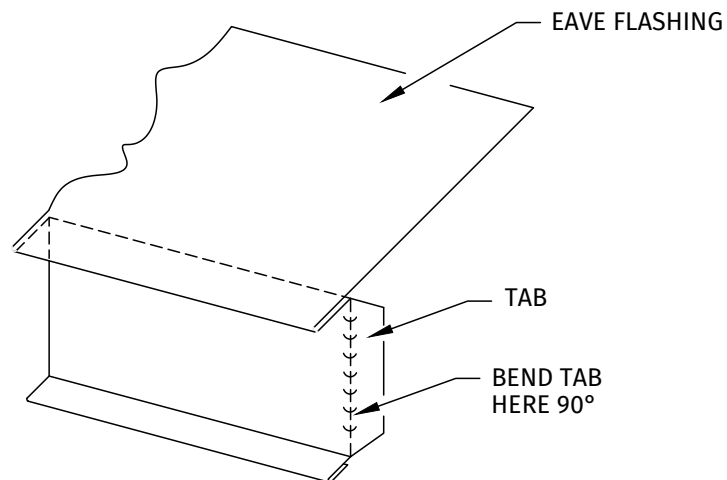
Eave Flashing Preparation

Trimming and folding at Eave-Gable interface

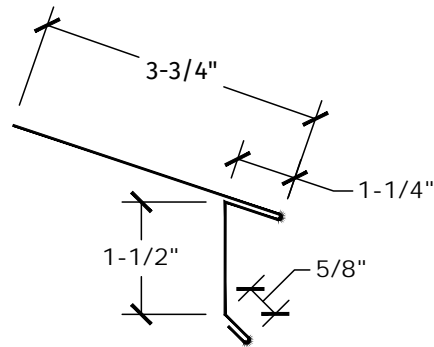
Step One:



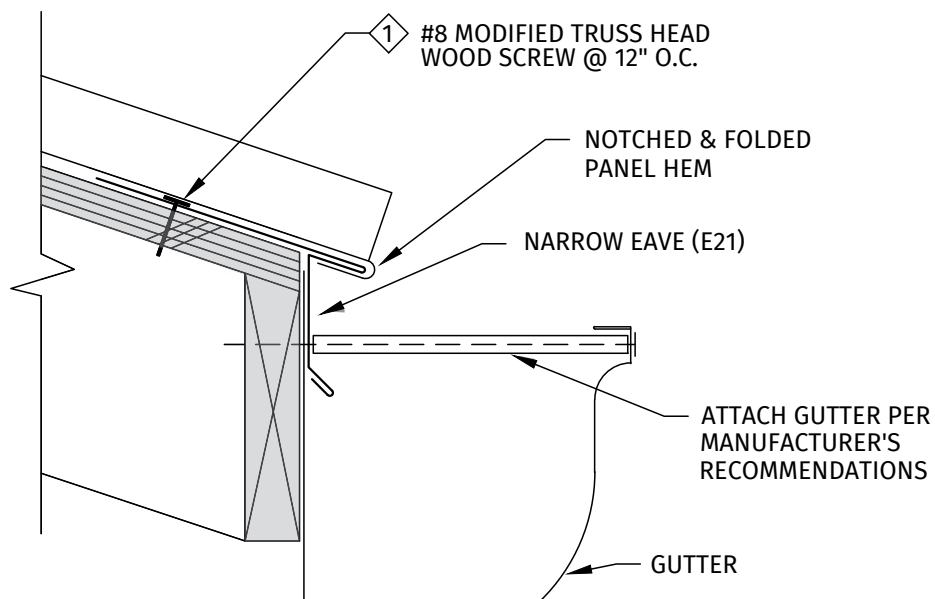
Step Two:



Eave with Gutter



E21



Procedure:

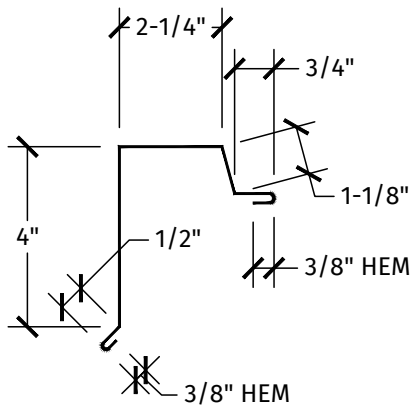
- Attach the eave flashing with trim screws on the roof with fasteners spaced at 12" O.C. max.
- Hook the notched and turned under panels onto the eave flashing, maintaining space for thermal movement

- Caulk and lap flashings (see appendix).

Notes:

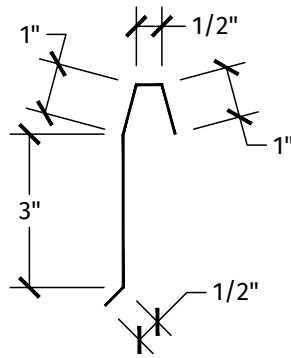
- ASC Building Products recommends that a licensed gutter contractor install the gutters.

Gable Flashings



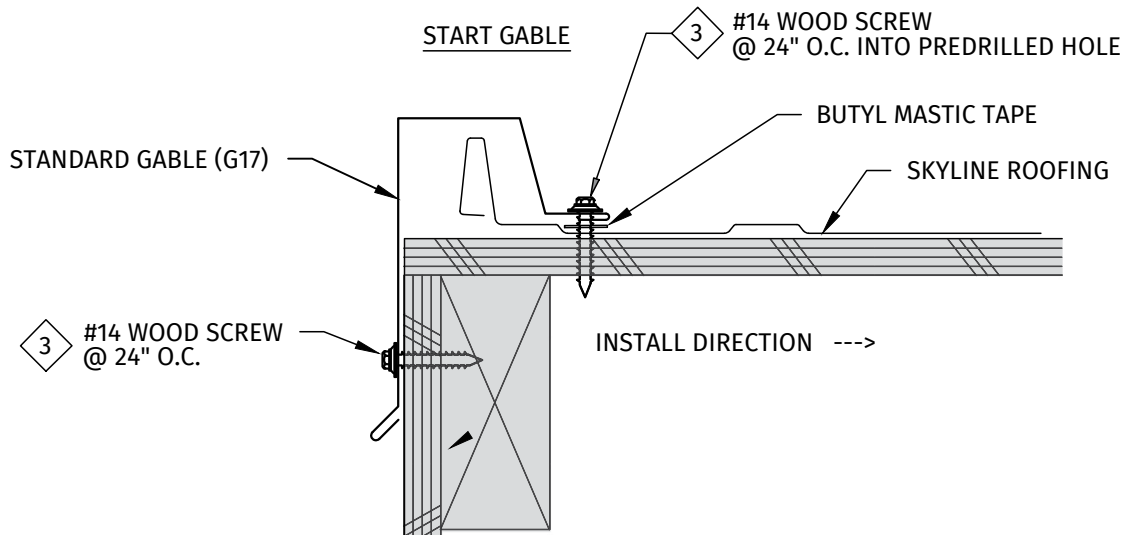
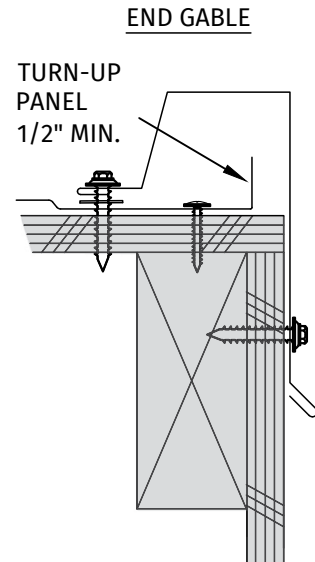
G17

(For panels shorter than 40 ft.)



G16

(For panels longer than 40 ft.)



Procedure:

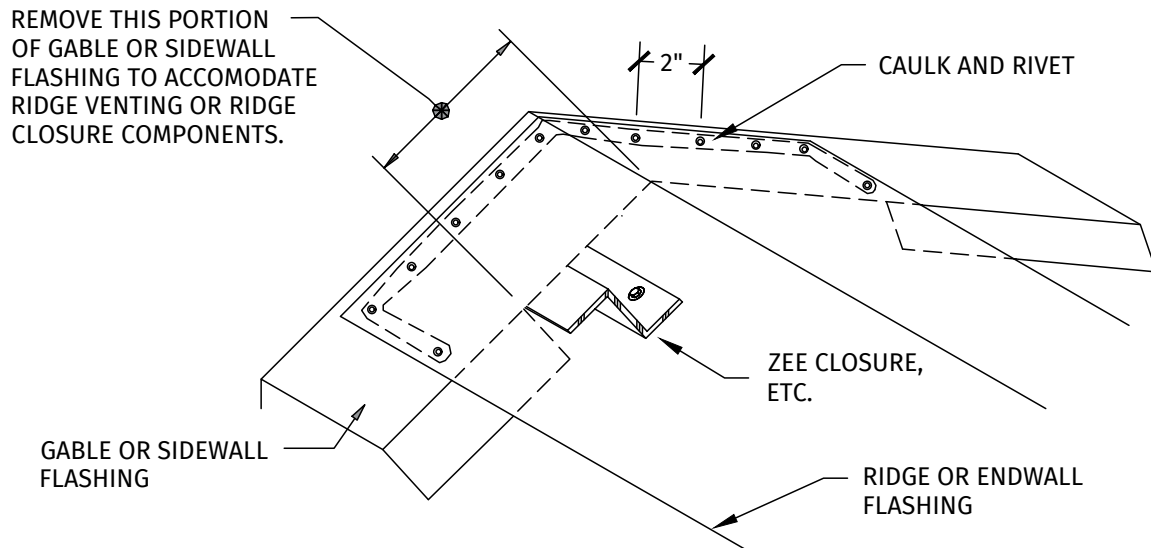
- Place the first roof panel according to the instructions on pg. 49.
- Place butyl mastic tape along the gable flashing's flange as shown.
- Install the gable flashing "G17" by placing it firmly over the rib and predrilling holes 24" O.C. then fasten using color matched wood screws. If using the narrow gable "G16" do not fasten (see note).
- Caulk and lap the flashing a minimum of 3" hooking the hem (see appendix).

- Mitre cut the flashing at the peak to join each side at the ridge (see pg. 62).
- Snip and fold the gable at the eave to close the end. Use rivets to fasten (see pg. 61).
- At end gable, turn up panel edge 1/2" min. prior to installing gable trim.

Note: If using the narrow gable "G16" do not fasten to panel, only to the structure. Narrow gable flashing fits snug against panel rib. Use "G16" for long length Skyline Roofing applications

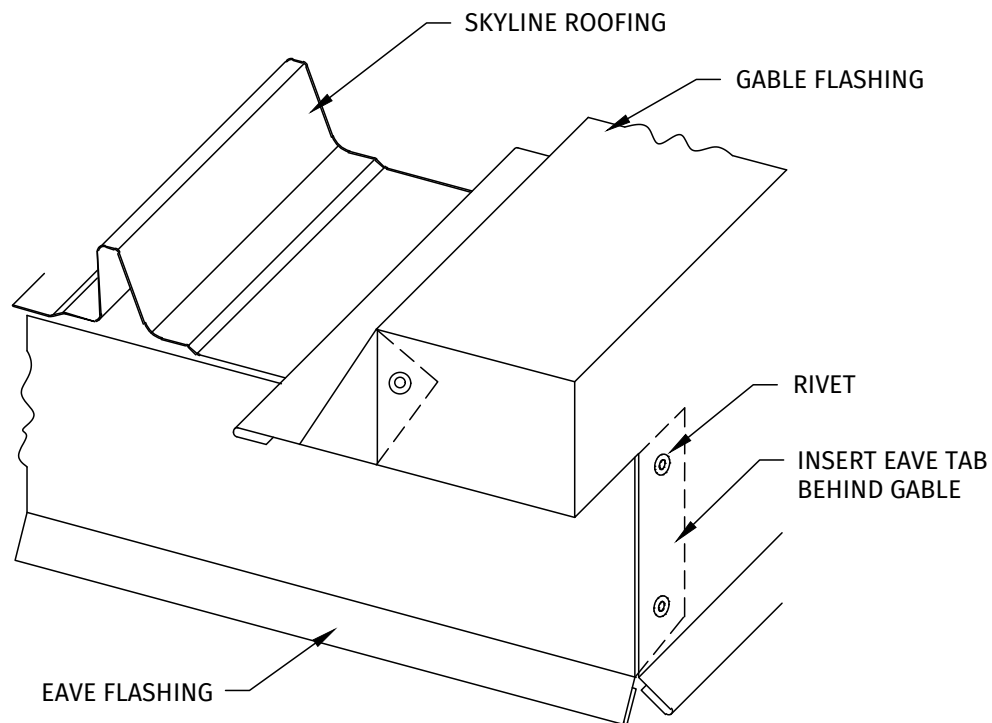
Gable/Ridge Transition

Similar to Gable/Endwall Transition



Gable Corner at Eave

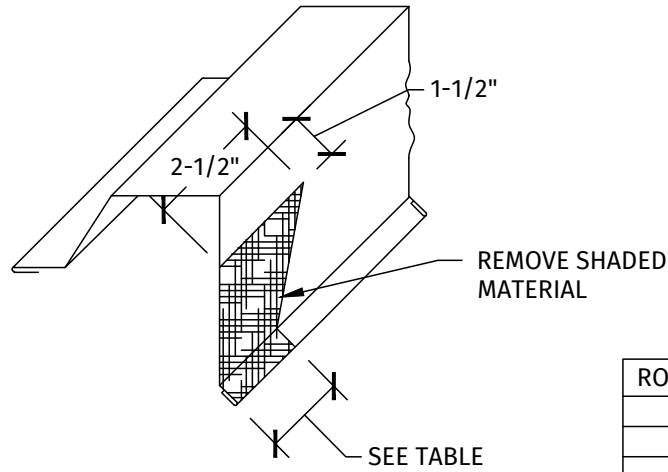
See following page for instructions



Skyline Roofing®
 Installation, Trims, Flashings, & Details Guide
Gable Flashing Preparation at Eave

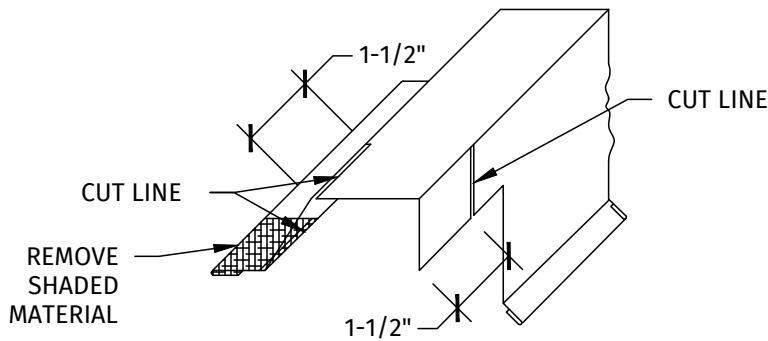
Step One

Note: Length of Gable must extend 2-1/2" past face of Eave trim.

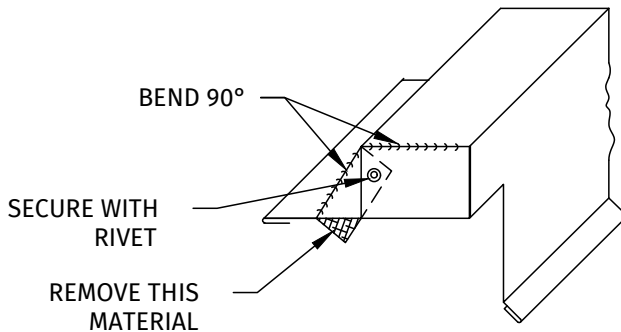


ROOF PITCH	DIM.
3:12	1-7/8"
3.5:12	1-3/4"
4:12	1-5/8"
5:12	1-7/16"
6:12	1-1/4"
12:12	0"

Step Two



Step Three

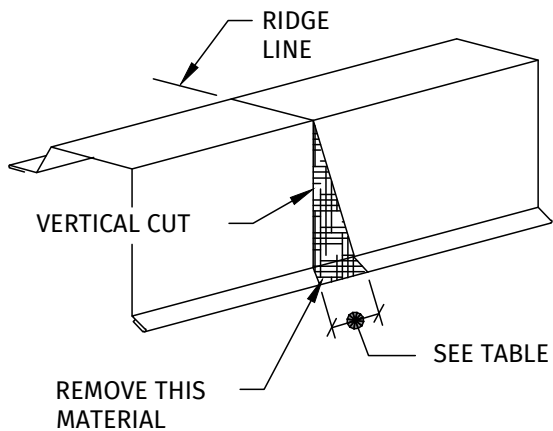


FLOATING EAVE DETAILS

Gable Flashing Preparation at Ridge

Step One

Remove a pie-shaped piece from the gable flashing as shown below.

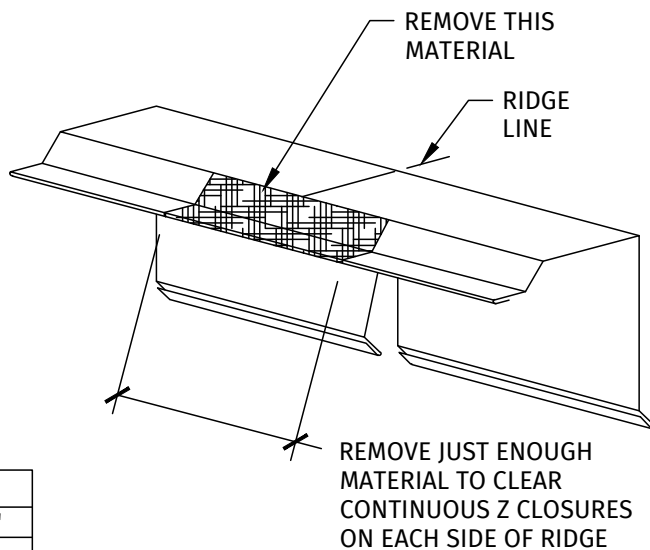


ROOF PITCH	DIM.
3:12	1-1/16"
3.5:12	1-1/4"
4:12	1-7/16"
5:12	1-3/4"
6:12	2-3/16"
12:12	4-7/16"

* Dimensions only apply to G16 and G17 Gable Flashing

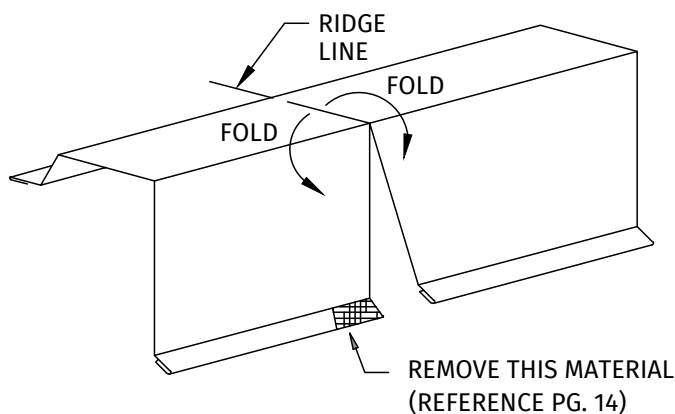
Step Two

Notch out the downturn leg on the gable as shown below.



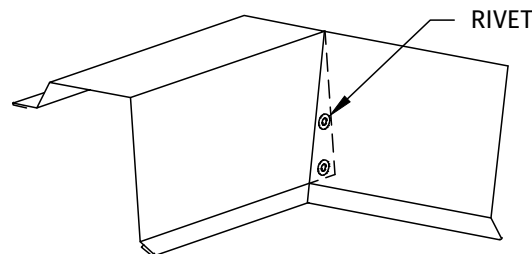
Step Three

Center the flashing on the ridge at the gable and bend to roof pitch



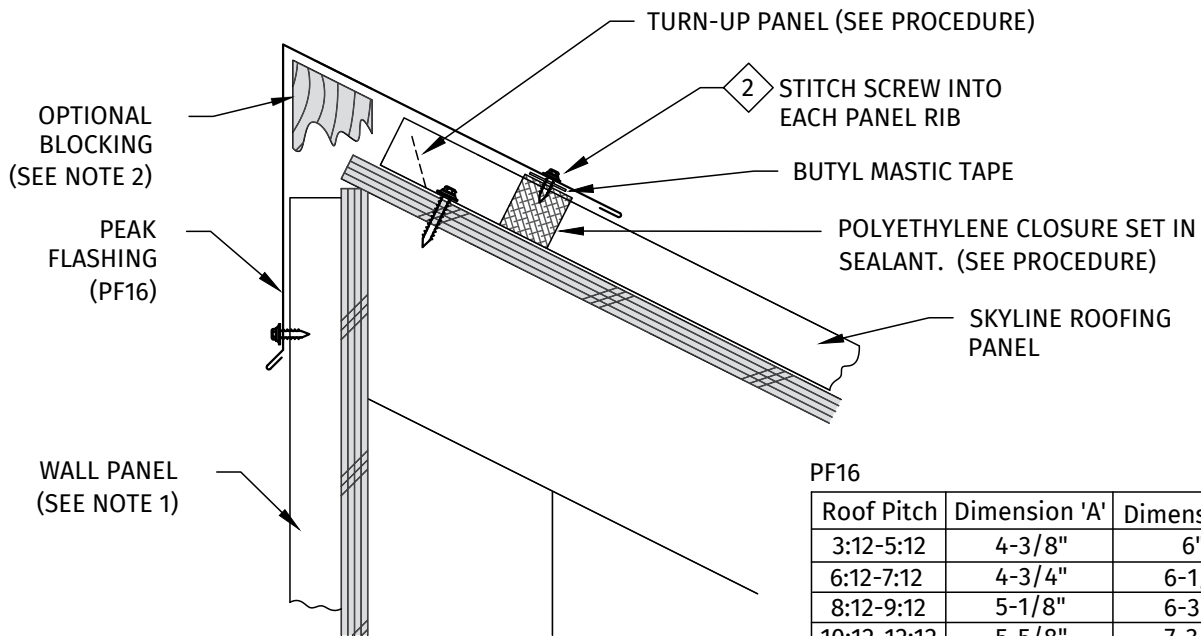
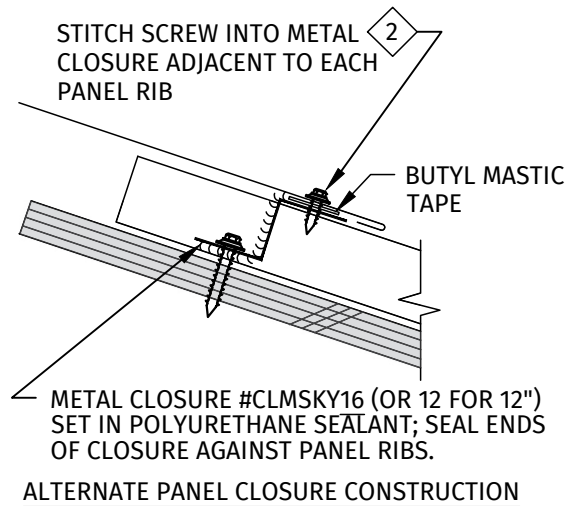
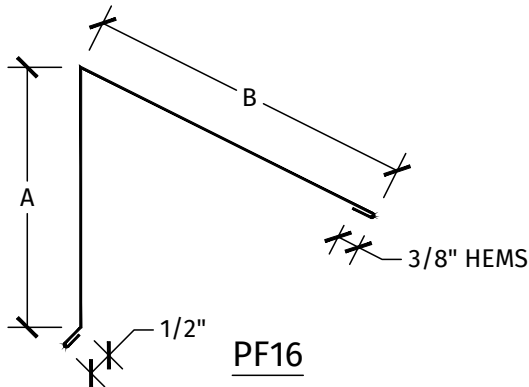
Step Four

Reference pg. 54 for final installation view and interface with ridge.



Note: Zee Closure "Z16" (perforated) or "Z17" (solid) must be in place prior to installation of the ridge flashing.

Peak Flashing



PF16

Roof Pitch	Dimension 'A'	Dimension 'B'
3:12-5:12	4-3/8"	6"
6:12-7:12	4-3/4"	6-1/2"
8:12-9:12	5-1/8"	6-3/4"
10:12-12:12	5-5/8"	7-3/8"

Procedure:

- After verifying roof panel lengths, hook downhill edge of panels onto panel cleats and snap metal roofing down into place.
- Define installation location of closure by marking position downslope of peak that allows for some peak flashing overlap.
- Caulk the bottom and sides of polyethylene closure and set into place. Apply butyl mastic tape across the top of the closure.
- Attached ridge cap by using #12 stitch screws through closure and into panel ribs. Pre-drilling holes may assist assembly.

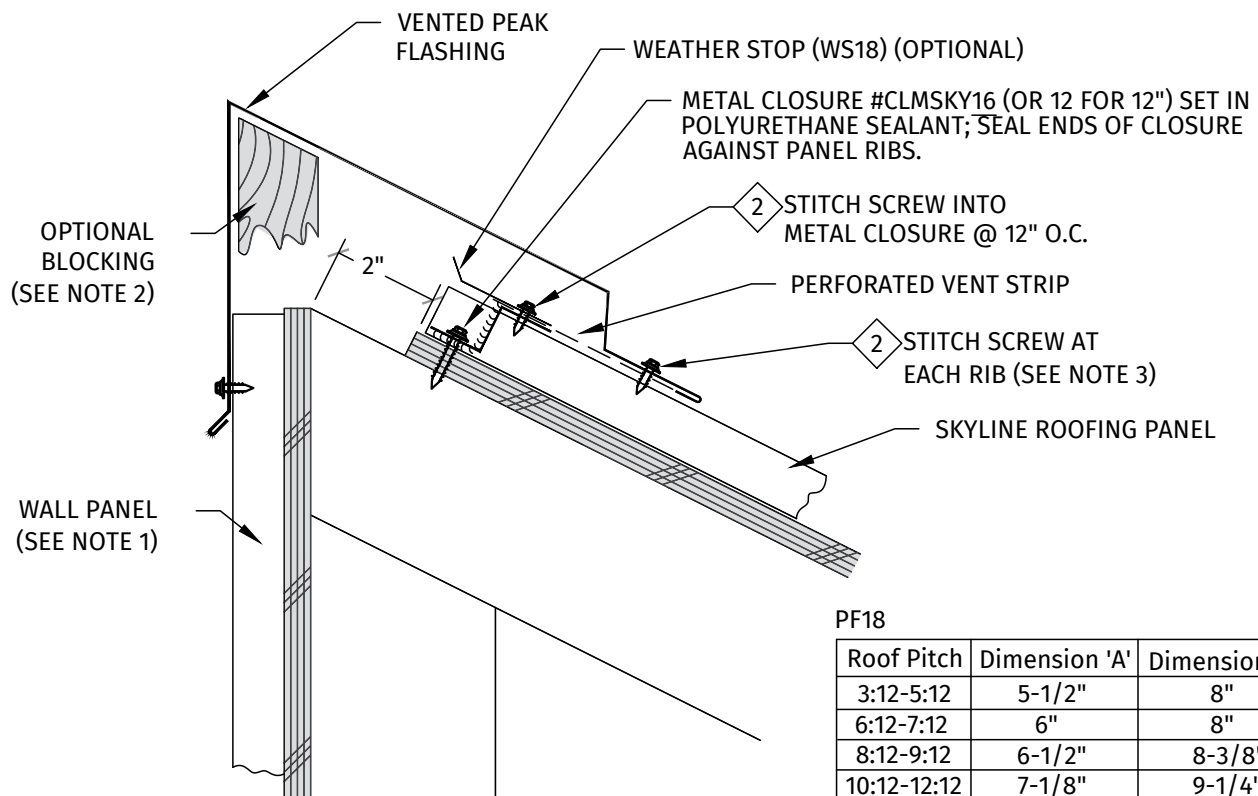
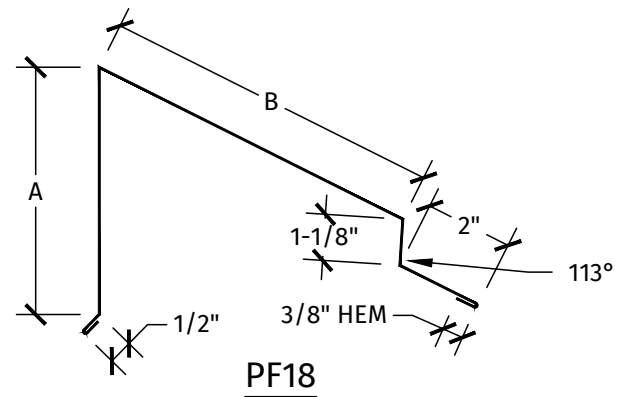
- For alternate metal closure install, refer to Ridge/Hip detail for installation guidance.
- Caulk, lap and rivet sequential flashings (see appendix).

Notes:

1. Peak flashing dimensions noted on this installation detail are based on nominal 1" thick wall facing. Different wall panel thicknesses may require some adjustments to peak flashing dimensions and/or positioning of roof assembly components.
2. Additional blocking may be required at peak to support peak flashing.

Vented Peak Flashing

In non wildfire regions, a vented foam ridge closure can be utilized for this detail. Replace PF18, VS17, and CLMSKY__ with PF16 and CLVENTSK16 (or 12 for 12" panel). See pg. 53 for representative detail.



PF18

Roof Pitch	Dimension 'A'	Dimension 'B'
3:12-5:12	5-1/2"	8"
6:12-7:12	6"	8"
8:12-9:12	6-1/2"	8-3/8"
10:12-12:12	7-1/8"	9-1/4"

Procedure:

- Substrate should be held back 2" from peak for venting.
- After verifying roof panel lengths, hook downhill edge of panels onto panel cleats and snap metal roofing down into place.
- Clean metal surfaces and install metal closure at top edge of panel by setting into bead of polyurethane sealant. Screw into place using minimum (2) fasteners for 12" wide panel, and (3) fasteners for 16" panel. Seal ends of closure at panel ribs.
- Attach perforated metal trim strip onto metal closure by using #12 x 3/4" stitch screws at 12" O.C.
- Attach peak flashing (PF18), through vented strip and

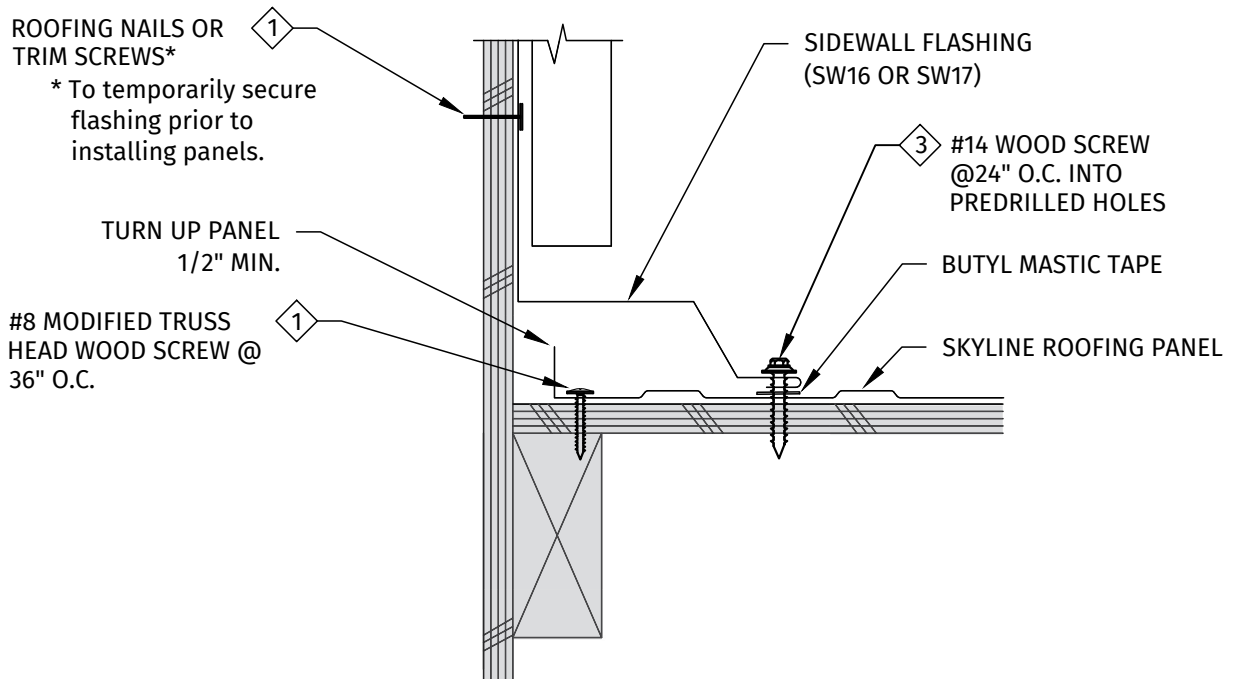
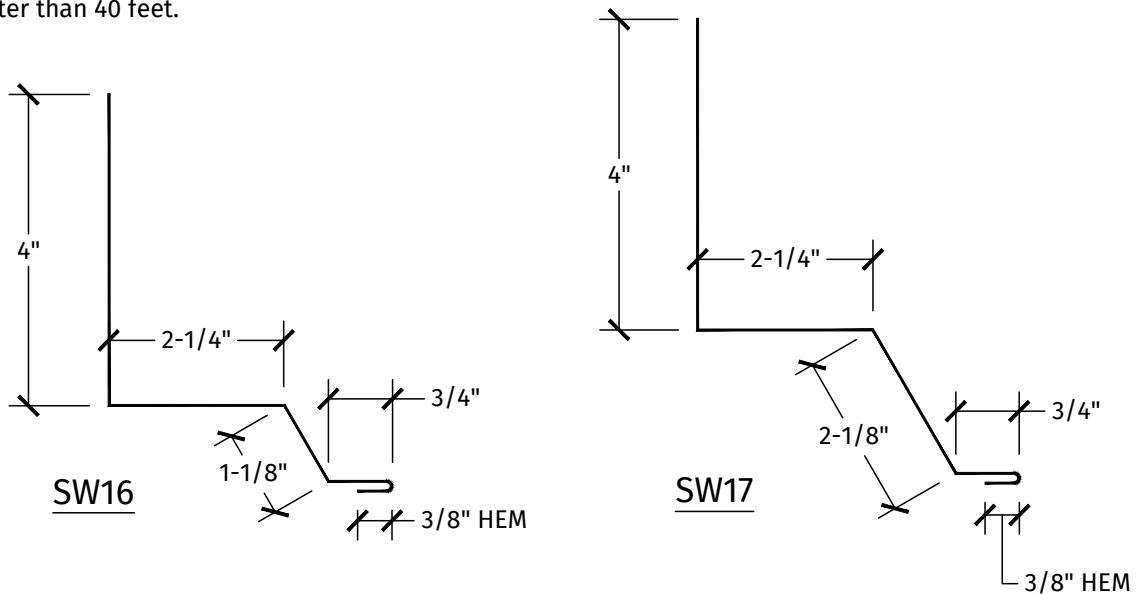
into top of panel ribs using #12 x 3/4" stitch screws into each panel rib. Pre-drilling screw holes may be necessary to help positioning of fasteners. Alternatively, installing screws adjacent to each panel rib, but into vent strip is also acceptable.

Notes:

1. Peak flashing dimensions noted on this installation detail are based on nominal 1" thick wall facing. Different wall panel thicknesses may require some adjustments to peak flashing dimensions and/or positioning of roof assembly components.
2. Additional blocking may be required at peak to support peak flashing.

Sidewall Flashing

For panels shorter than 40 feet.



Procedures

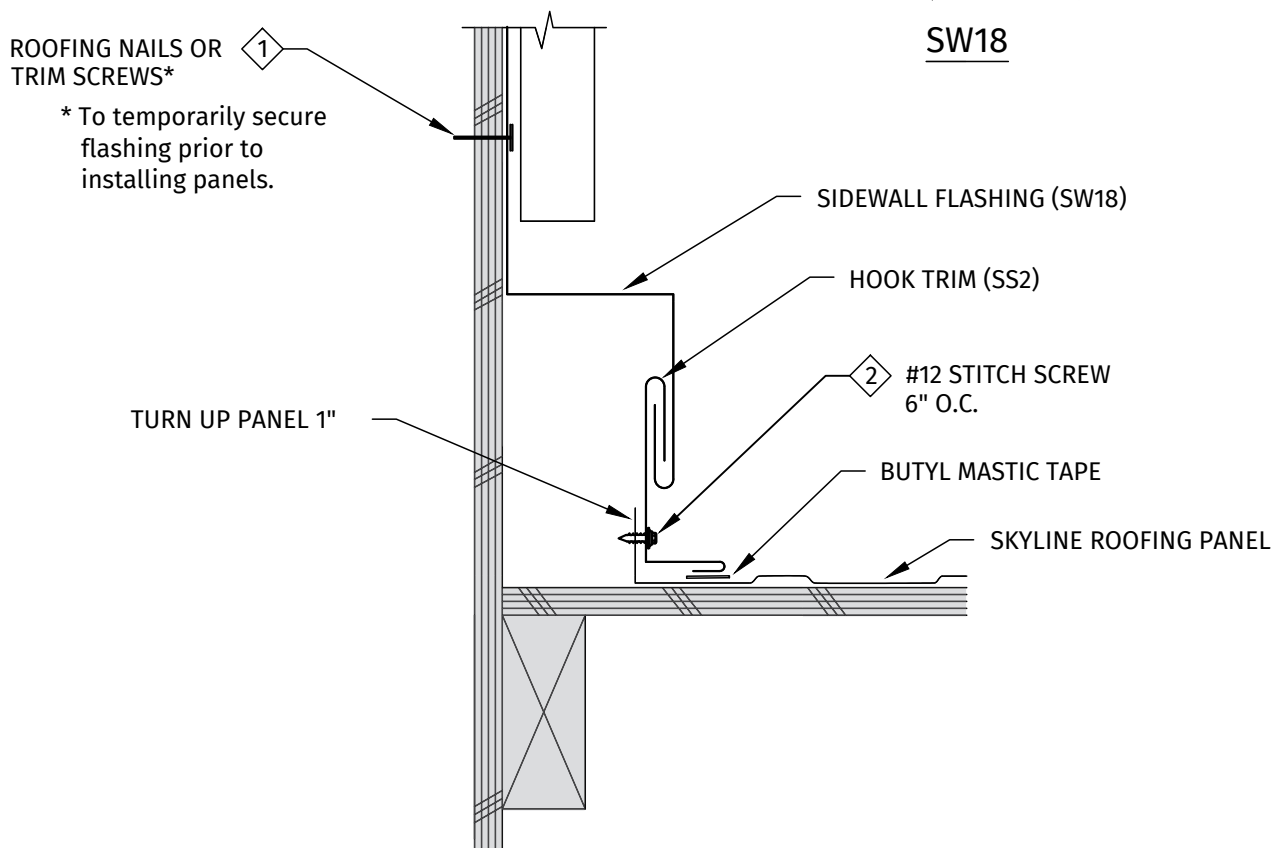
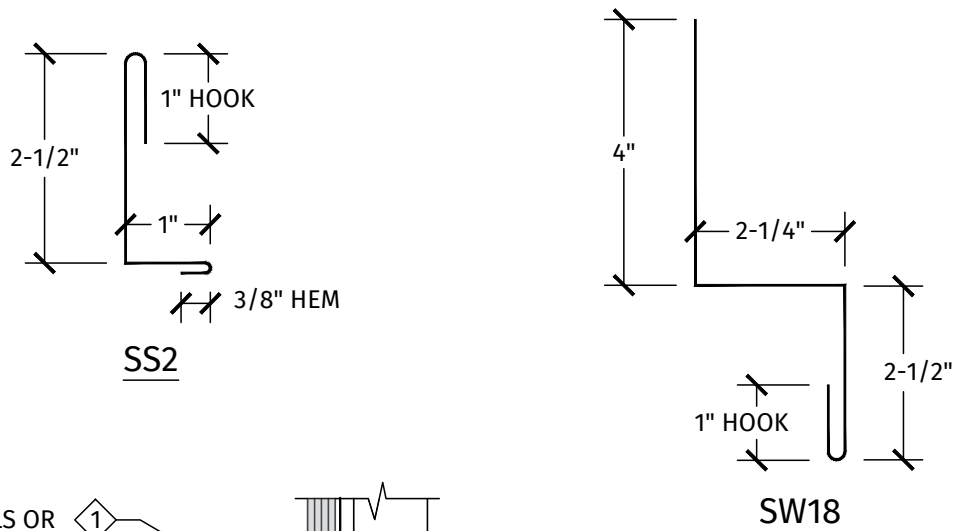
- The roof should be installed prior to the siding.
- Trim the panel 1/2" in and parallel with the wall.
- Place butyl mastic tape along the sidewall flashing's flange as shown.
- Install the sidewall flashing (SW16) (when used with a standard endwall) by placing it firmly on the roofing panel and attaching with the fasteners indicated.

- Caulk and lap sequential flashings (see appendix).
- See pg. 68 on closing the end of the flashing.
- When using a sidewall flashing in conjunction with a vented endwall condition, increase the 1-1/8" leg on sidewall flashing, (SW16) to 2-1/8" (or SW17).

Note: Do not use detail if panels are longer than 40 ft.

Sidewall Flashing

For panels greater than 40 feet.



Procedure:

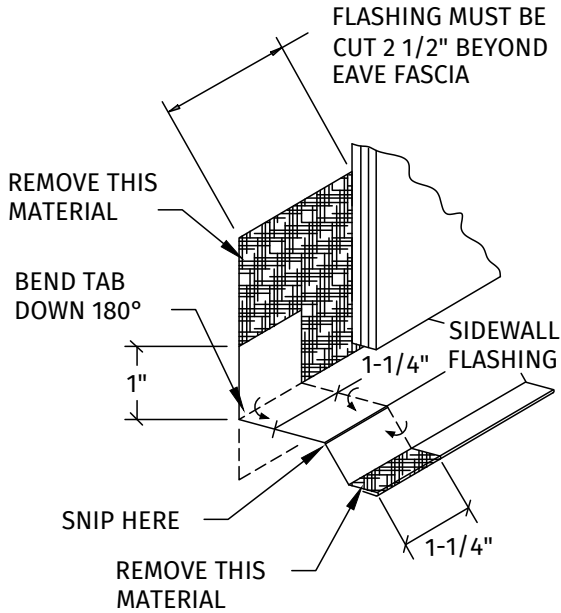
- The roof and flashings should be installed prior to siding.
- Trim the panel 1" in and parallel with the wall.
- Turn up the panel 1" from the edge of the panel as shown.
- Apply mastic tape to the hook (SS2) before fastening.
- Fasten hook (SS2) to the turn-up. Make sure panel is able to expand and contract.
- See following page on closing the end of the flashing.
- Install the sidewall flashing (SW18) by hooking it into the hook (SS2) and then fastening it to the wall.

Closing Sidewall Flashing

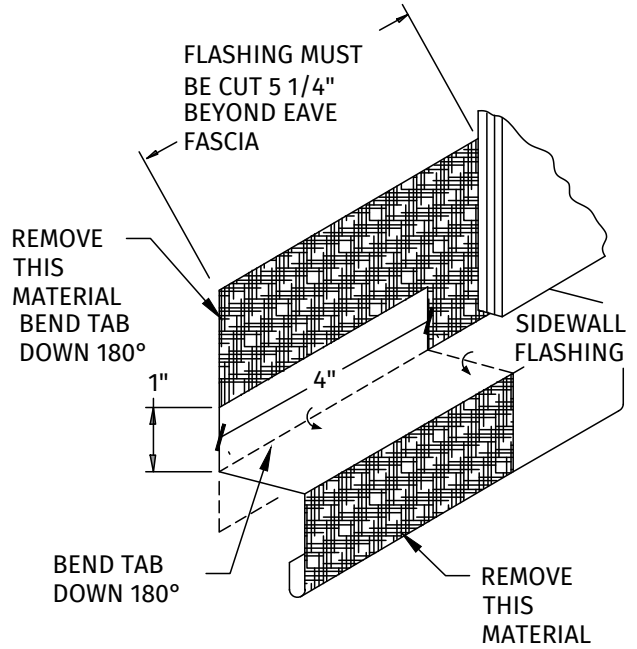
For panels shorter than 40 feet.

For panels longer than 40 feet.

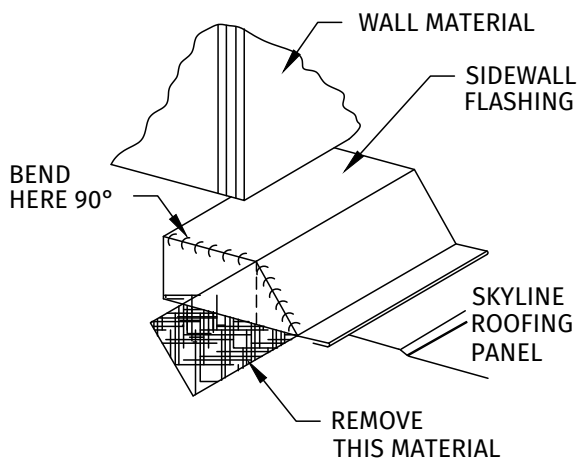
Step One



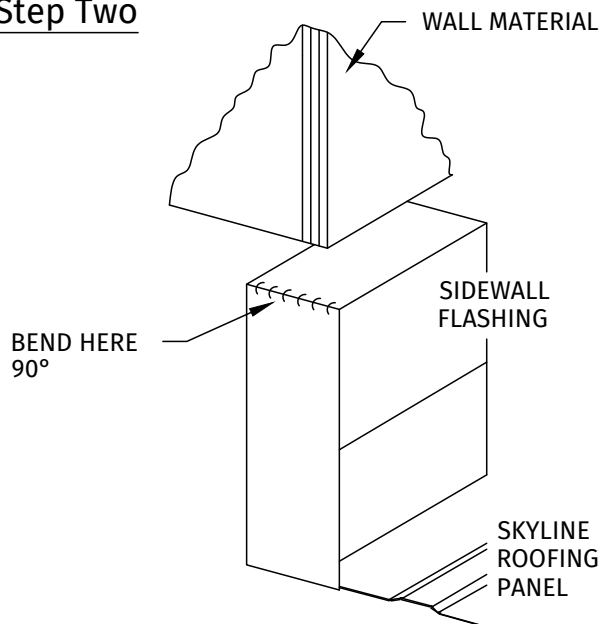
Step One



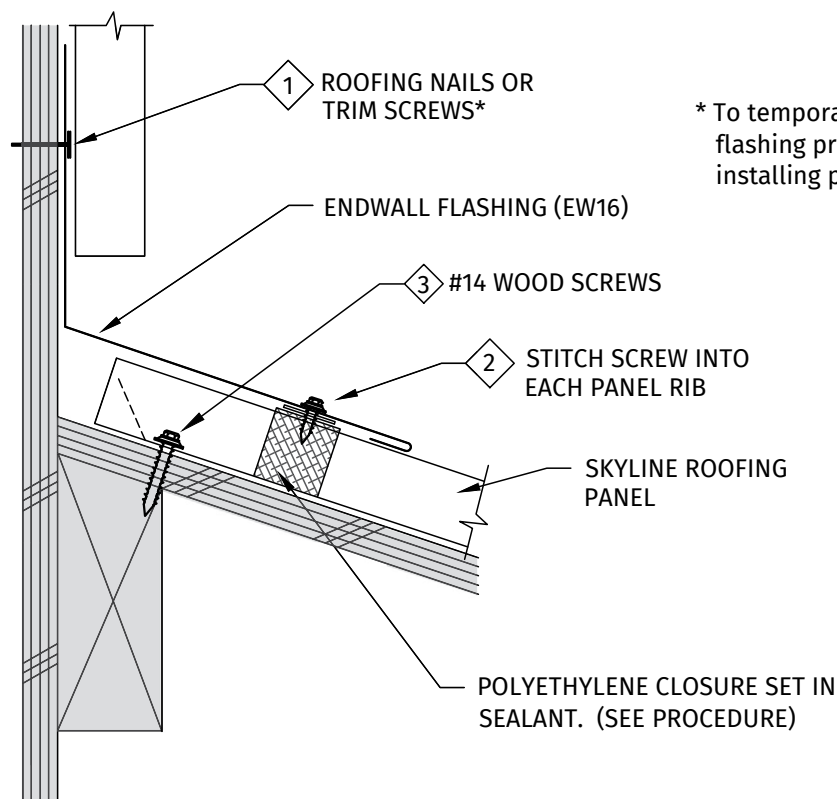
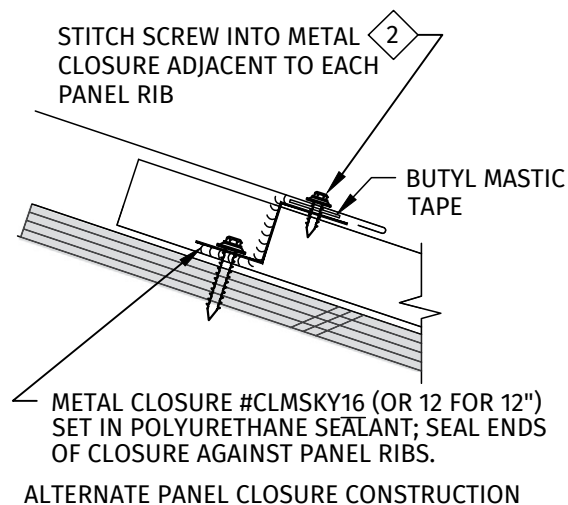
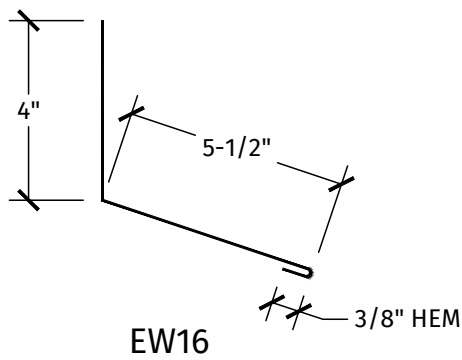
Step Two



Step Two



Endwall Flashing



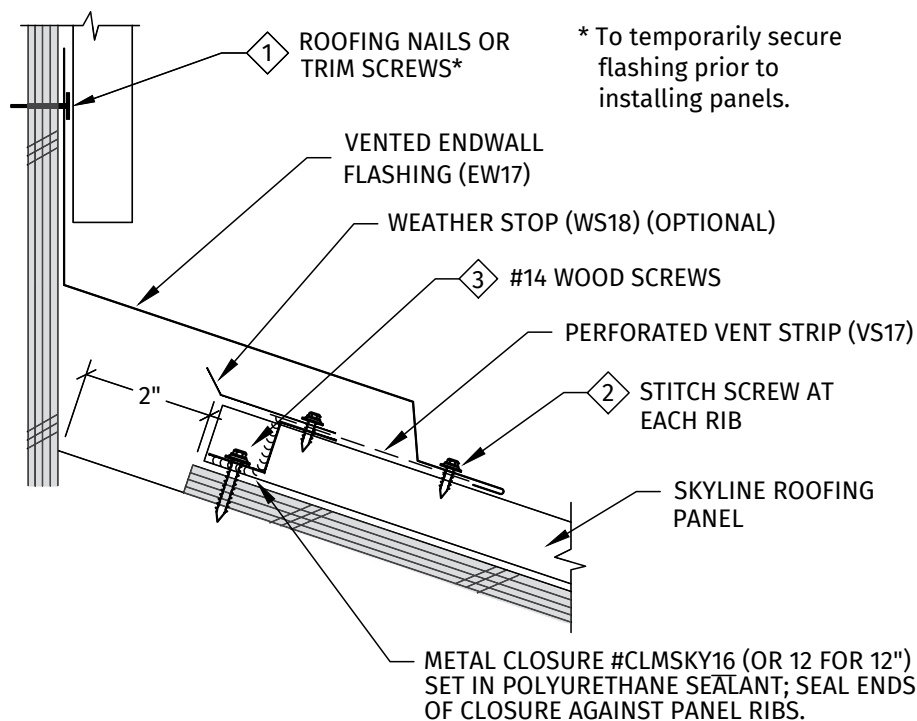
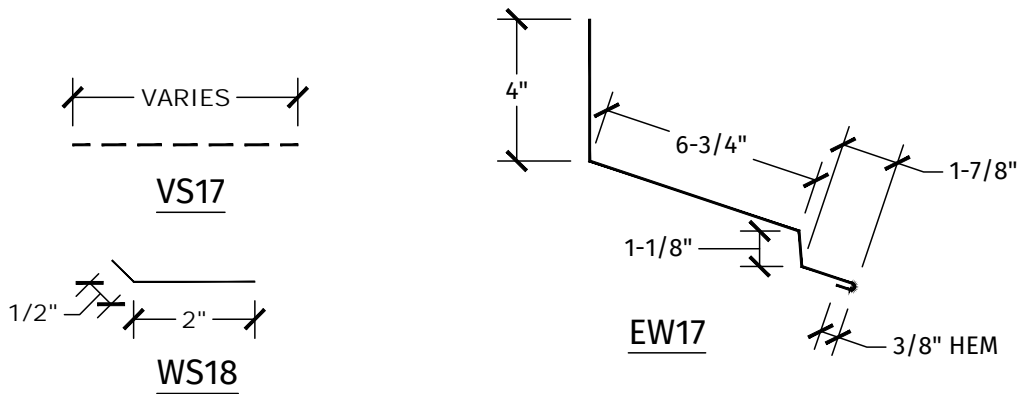
* To temporarily secure flashing prior to installing panels.

Procedure:

- After verifying roof panel lengths, hook downhill edge of panels onto panel cleats and snap metal roofing down into place.
- Install row of #14 fasteners across top edge of panel. (3) minimum for 16" panel, (2) for 12".
- Define installation location of closures by marking position downslope of ridge that allows for some ridge cap flashing overlap.

- Caulk the bottom and sides of polyethylene closure and set into place.
- Apply butyl mastic tape across top edge of metal closure and attach endwall flashing (EW16) using #12 x 3/4" stitch screws at each panel rib.
- Secure upper portion of endwall flashing onto vertical wall using trim screws or roofing nails at 24" O.C. max.
- Caulk, lap, and rivet sequential flashings (see appendix).

Vented Endwall Flashing

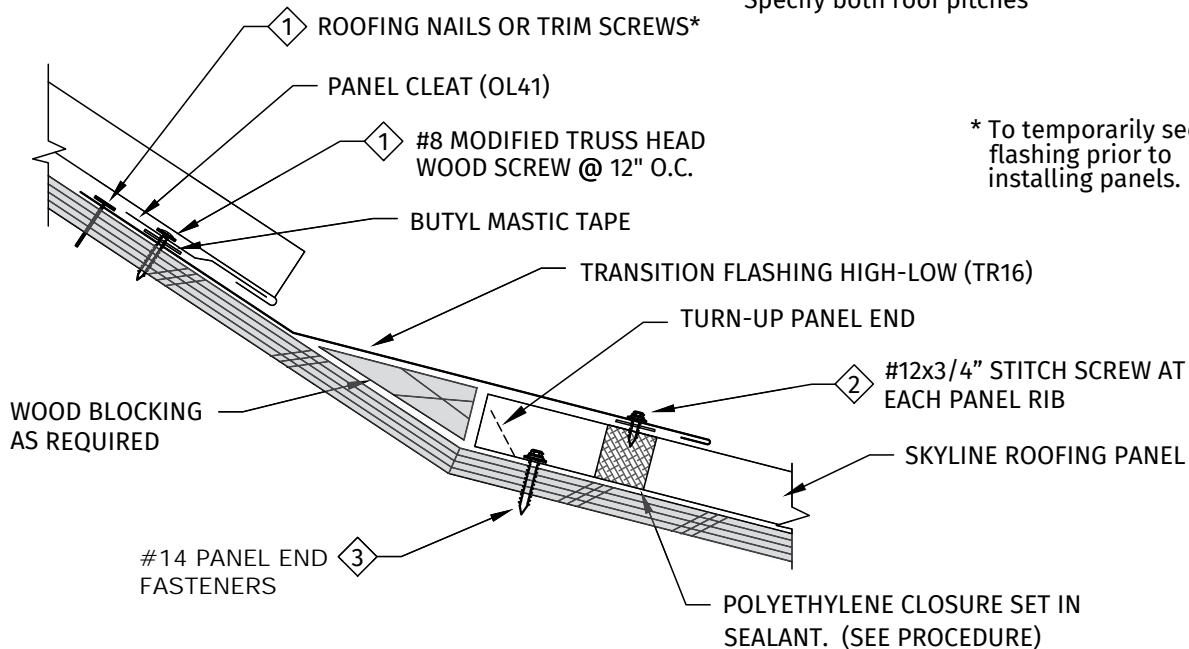
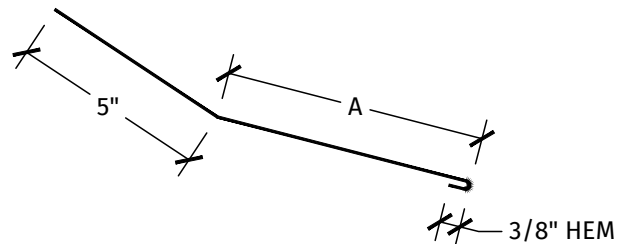
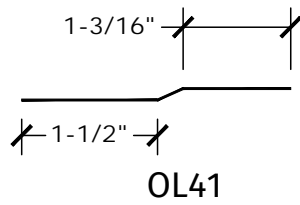


Procedure:

- Substrate should be held back 2" from wall for venting.
- After verifying roof panel lengths, hook downhill edge of panels onto panel cleats and snap metal roofing down into place.
- Clean metal surfaces and install metal closure at top edge of panel by setting into bead of polyurethane sealant. Screw into place using minimum (2) fasteners for 12" wide panel, and (3) fasteners for 16" panel. Seal ends of closure at panel ribs.
- Attach perforated metal vent strip onto metal closure by using #12 x 3/4" stitch screws at 12" O.C.

- Attach ridge cap (R17) through vented strip and into top of panel ribs using #12 x 3/4" stitch screws into each panel rib. Pre-drilling screw holes may be necessary to help positioning of fasteners. Alternatively, installing these screws adjacent to each panel rib, and into vent strip is also acceptable.
- Caulk, lap and rivet sequential flashings (see appendix).
- In non wildfire regions, a vented foam ridge closure can be utilized for this detail. Replace EW17, VS17, and CLMSKY with EW41 and CLVENTSK16 (12 for 12" panel). See pg. 53 for representative detail.

Slope Transition - High Slope to Low Slope



* To temporarily secure flashing prior to installing panels.

Procedure:

- After verifying panel length, hook downhill edge of lower panels onto panel cleats and snap metal roofing down into place.
- Install row of #14 fasteners across top edge of lower panel. (3) minimum for 16" panel, (2) for 12".
- Define installation location of closures by marking position downslope of panel end that allows for some transition flashing overlap.
- Caulk the bottom and sides of polyethylene closure and set into place. Apply butyl mastic tape across the top of the closure.
- Attached transition flashing by using #12 stitch screws through closure and into panel ribs. Pre-drilling holes may assist assembly.
- Apply bead of butyl mastic tape to uphill portion of flashing.
- Install panel cleat over butyl mastic tape and screw into place using trim screws spaced 12" apart.

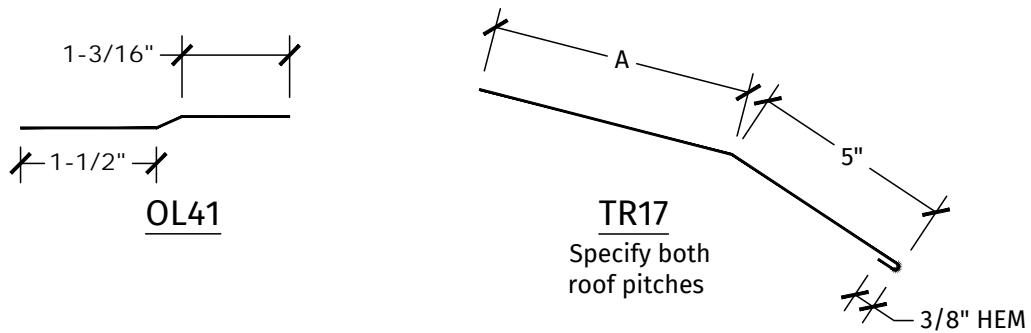
- Install uphill panel by hooking downhill end over panel cleat, allowing for thermal expansion.
- Alternative to using polyethylene foam closures, metal closures may be used in this detail. Refer to Ridge/Hip installation detail for additional information.

Roof Pitch Difference	Dimension 'A'
2:12	14"
3:12-6:12	8"
7:12-12:12	6"

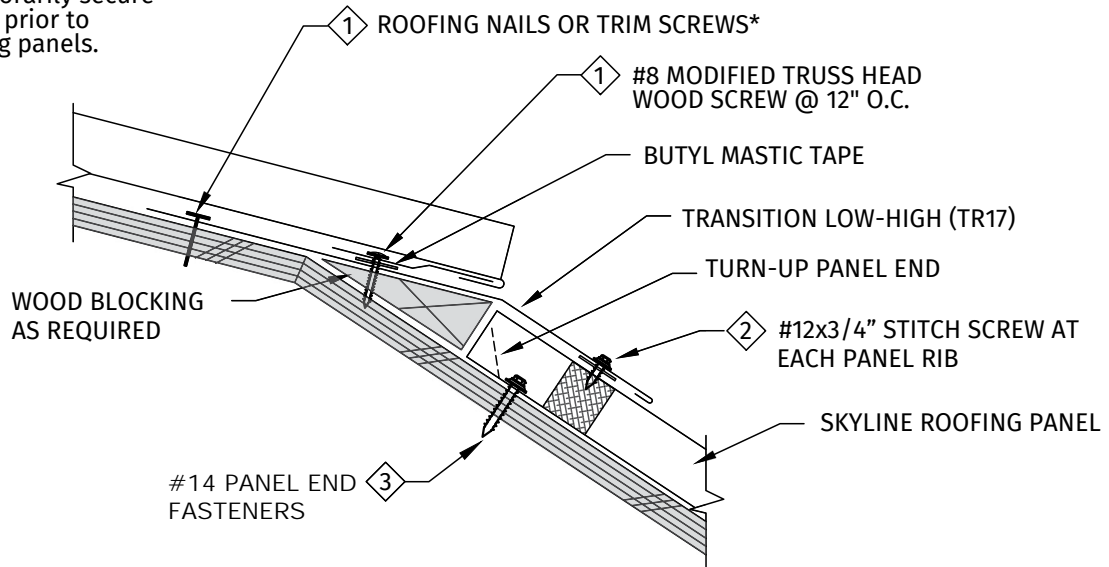
The roof pitch difference is the difference between the upper and lower slopes. Ex: Upper roof pitch is 7:12 and lower roof pitch is 3:12. Difference is 4:12. Flashing TR16 Dimension 'A' is 8". Inquire with ASC regarding applications where steepest slope exceeds 12:12.

Note: TR16 flashing fit will vary depending on slope combination. Some field adjustment of panel assembly may be required for best fit.

Slope Transition - Low Slope to High Slope



* To temporarily secure flashing prior to installing panels.



Procedure:

- After verifying panel length, hook downhill edge of lower panels onto panel cleats and snap metal roofing down into place.
- Install row of #14 fasteners across top edge of lower panel. (3) minimum for 16" panel, (2) for 12".
- Define installation location of closures by marking position downslope of panel end that allows for some transition flashing overlap.
- Caulk the bottom and sides of polyethylene closure and set into place. Apply butyl mastic tape across the top of the closure.
- Attached transition flashing by using #12 stitch screws through closure and into panel ribs. Pre-drilling holes may assist assembly.
- Apply bead of butyl mastic tape to uphill portion of flashing.
- Install panel cleat over butyl mastic tape and screw into place using trim screws spaced 12" apart.

- Install uphill panel by hooking downhill end over panel cleat, allowing space for thermal expansion.
- Alternative to using polyethylene foam closures, metal closures may be used in this detail. Refer to Ridge/Hip installation detail for additional information.

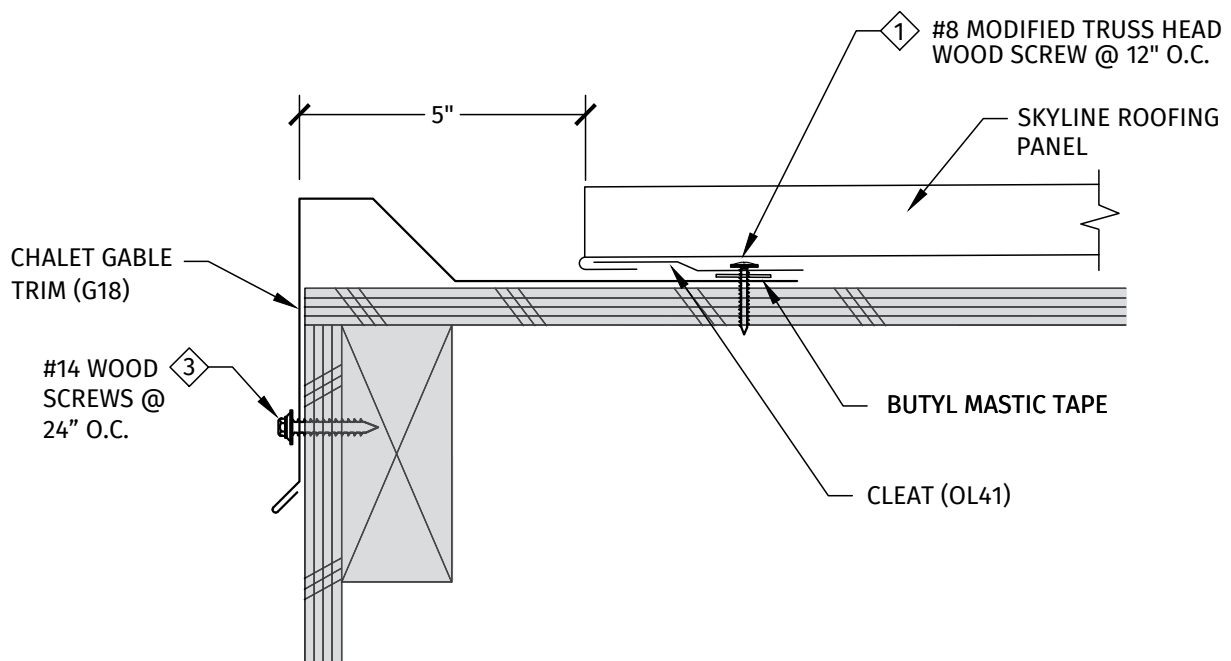
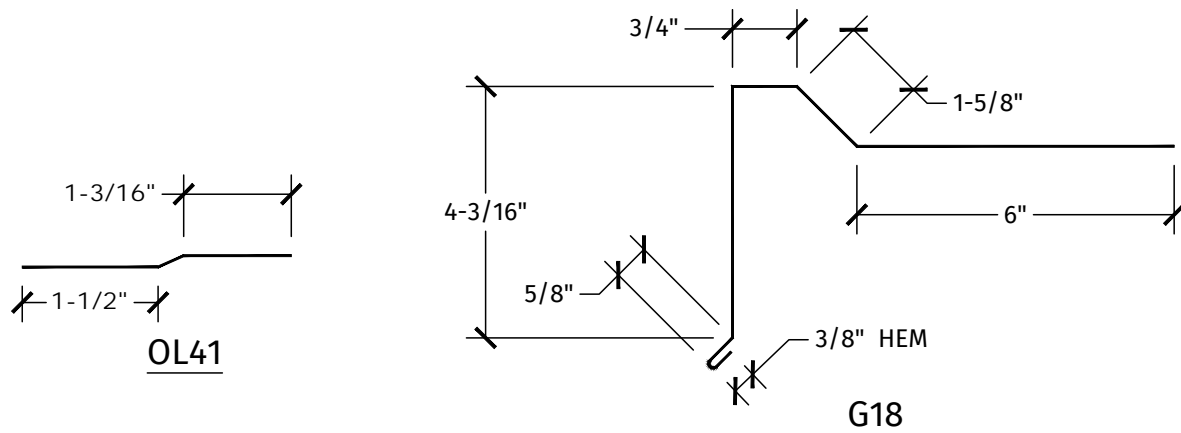
Roof Pitch Difference	Dimension 'A'
2:12	14"
3:12-6:12	8"
7:12-12:12	6"

The roof pitch difference is the difference between the upper and lower slopes. Ex: Upper roof pitch is 3:12 and lower roof pitch is 7:12. Difference is 4:12. Flashing TR17 Dimension 'A' is 8". Inquire with ASC regarding applications where steepest slope exceeds 12:12.

Note: TR17 flashing fit will vary depending on slope combination. Some field adjustment of panel assembly may be required for best fit.

Chalet Gable Flashing

DETAIL ALSO KNOWN AS A PROW OR DUTCH GABLE ROOF.

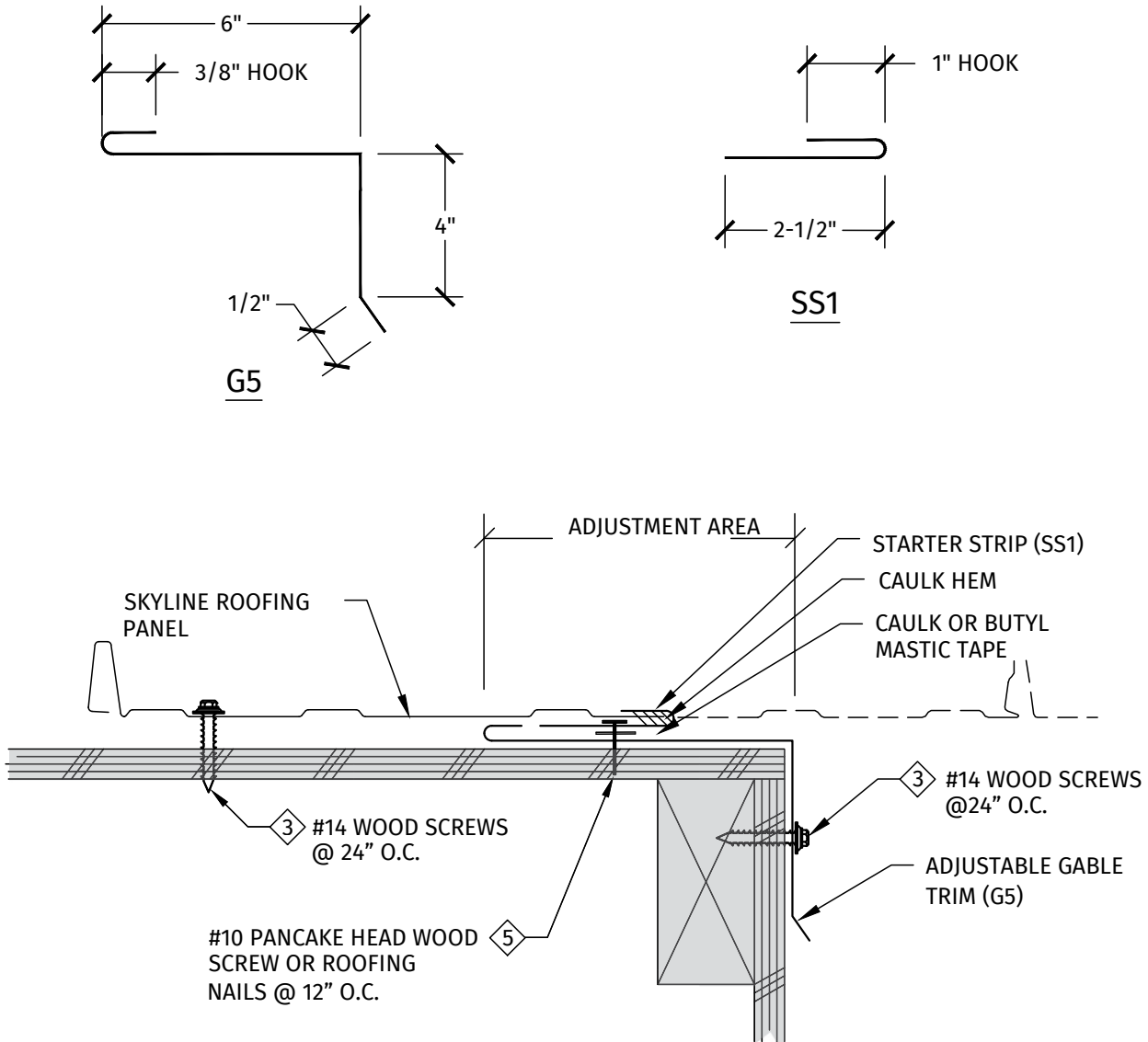


Procedure:

- Attach the chalet flashing (G18) along edge using #14 wood screws spaced at 24" O.C. max.
- Caulk and lap the flashing a minimum of 3", joining the hem (see appendix).
- Attach butyl mastic tape to panel cleat, and install panel cleat (OL41) parallel to flashing edge

- to define 5" panel end spacing to face of chalet flashing.
- Screw panel cleat down to substrate using #8 fasteners spaced 12" apart.
- Hook the notched and turned under panels onto the panel cleat, maintaining space for thermal movement
- Chalet gable to be used with standard eave (E19); see pg. 57.

Adjustable Gable Flashing



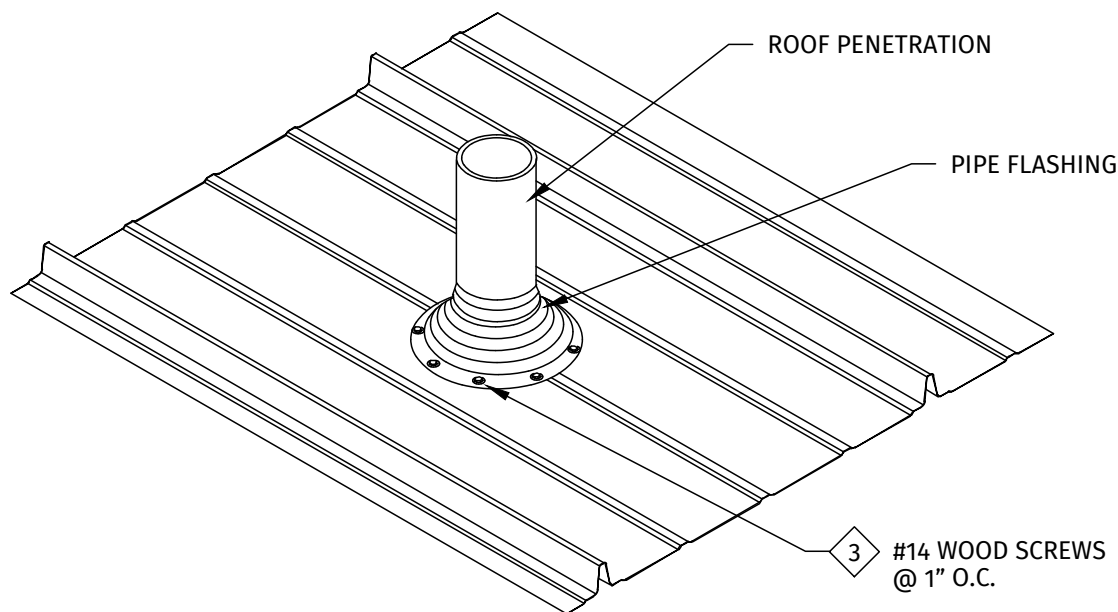
Procedure:

- Attach the adjustable gable “G5” using #14 wood screws spaced at 24" O.C.
- Place one row of butyl mastic tape between adjustable gable “G5” and starter strip “SS1”.
- Fasten starter strip “SS1” with #10 pancake head wood screw or roofing nails 12" O.C.
- Caulk and lap the flashing a minimum of 3" O.C. hooking the hem (see appendix).
- Field cut, caulk, and attach the panels and fasten using #14 wood screws at 24" O.C.
- Adjustable gable “G5” is to be used with standard eave “E19” (see pg. 57).

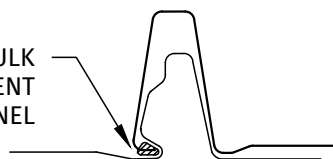
Note: This flashing must be installed prior to installing panels.

FLOATING EAVE DETAILS

Vent Flashing



INSTALL GUNNABLE CAULK
PRIOR TO INSTALLING ADJACENT
PANEL



END VIEW OF LAPPED PANEL

For penetrations through the panel sidelap:

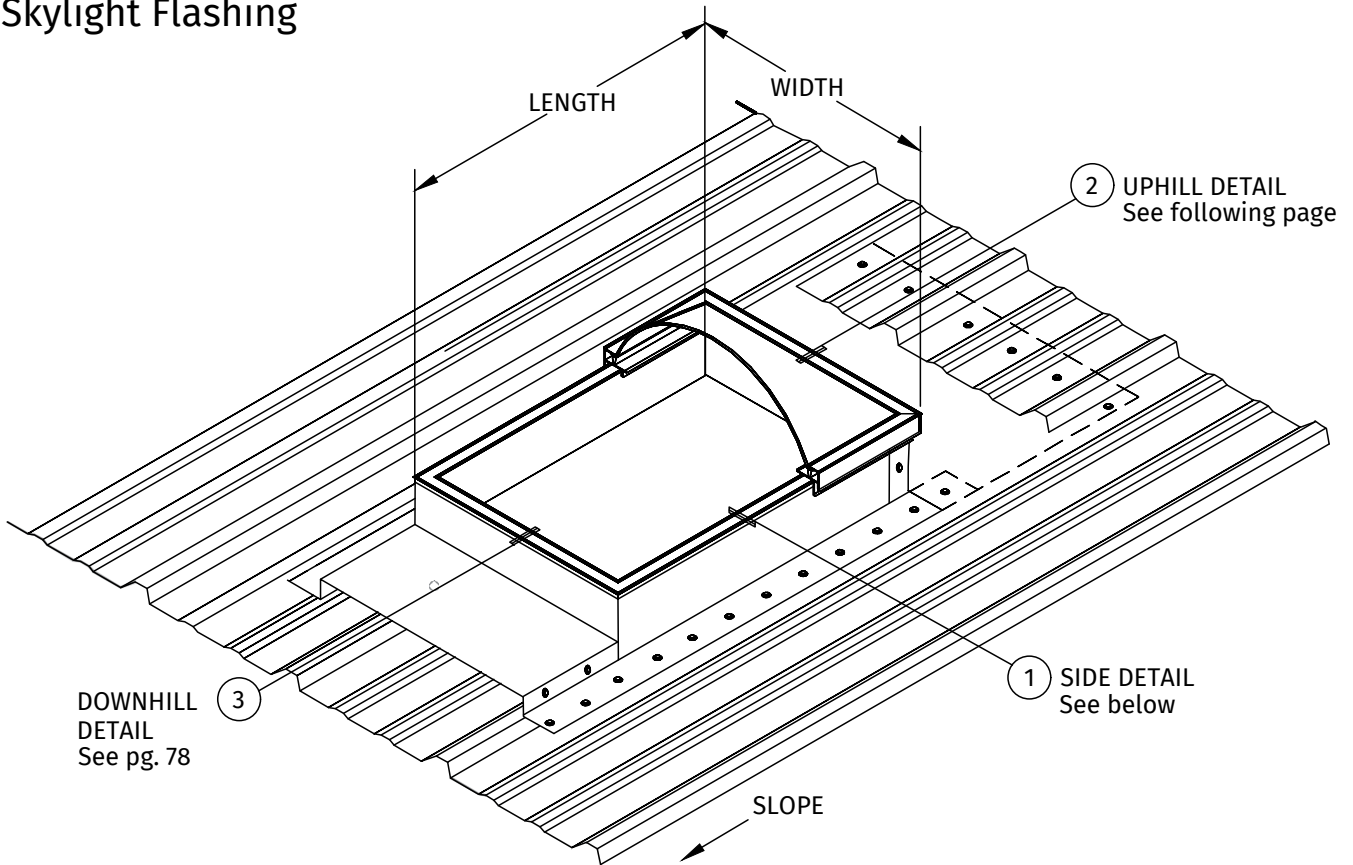
When a penetration occurs through the panel sidelap, install gunnable caulk from the penetration location, all the way uphill to the ridge, peak or endwall to prevent water from running downhill into the opening. See detail at left.

Procedure:

- Trim the opening in the flashing to 20% smaller than the pipe diameter.
- Slide the flashing down over the pipe.
- Seal between the flashing and the roofing with gunnable caulk and set the flashing.
- Form the flashing to fit the profile of the roof.
- Fasten the flashing with #14 x 1" wood screws at 1" O.C.

Note: In many cases it may be easier to locate the vent/ pipe flashing in the flat area of the roof panel (as shown) rather than have the penetration occur at a panel rib. Penetrations at panel ribs also increase the risk of water penetration. Determining panel layout prior to installation often simplifies penetration flashing installation.

Skylight Flashing

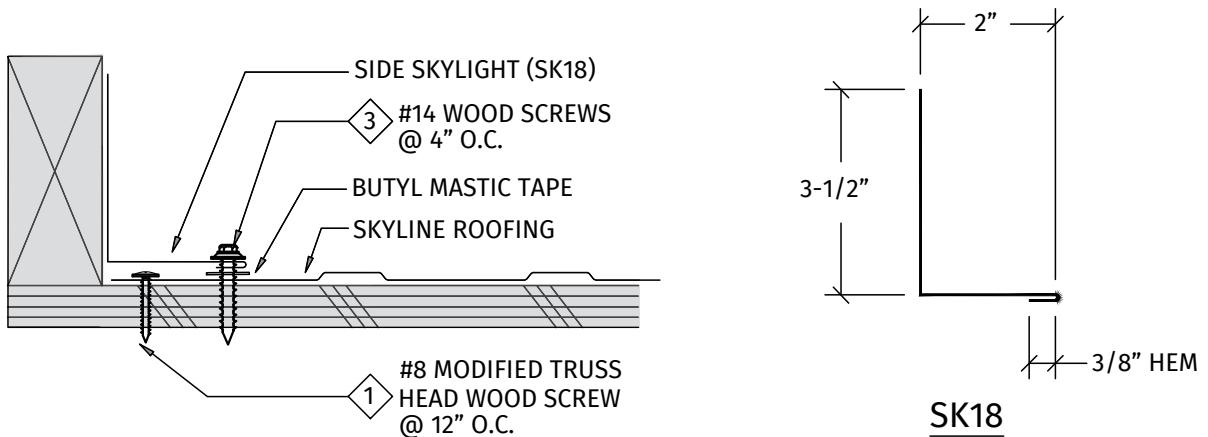


Whenever possible, position the skylight curb so the ribs of the roof panels do not interfere with the flashing. Cut the Skyline Roofing panels as close to the left, right and downhill sides of the curb as possible. Cut the uphill side 6" up from the curb as indicated on the following page.

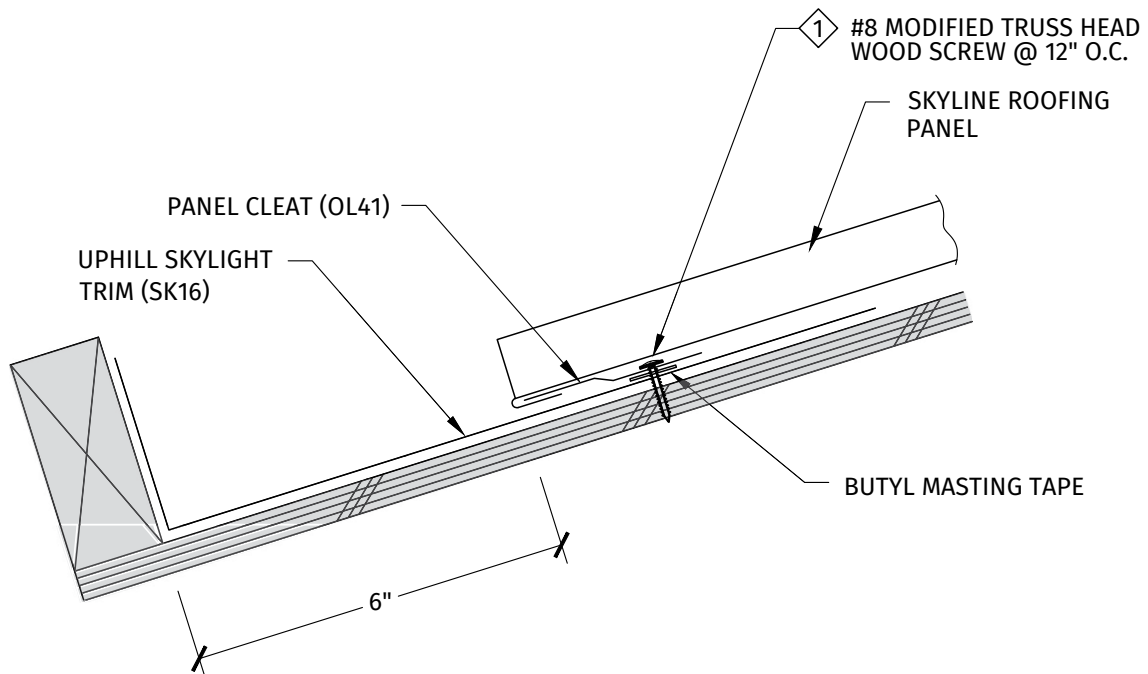
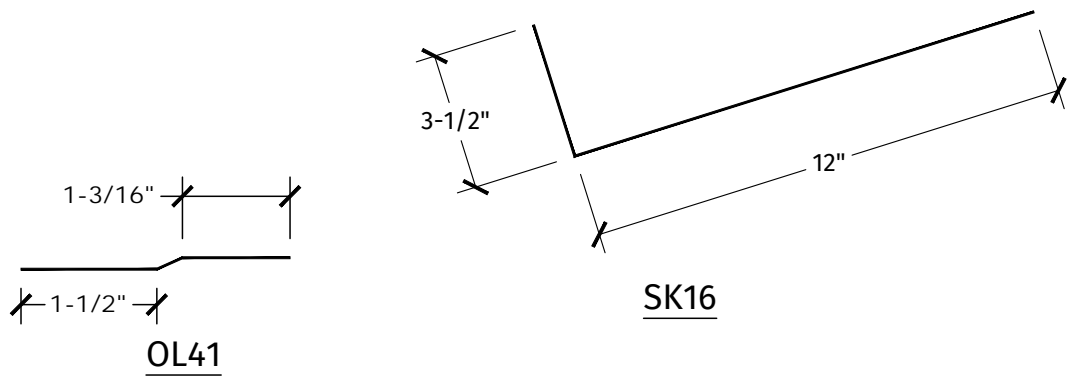
Note: Do not fasten down the panels within 24" uphill of the skylight.

FLOATING EAVE DETAILS

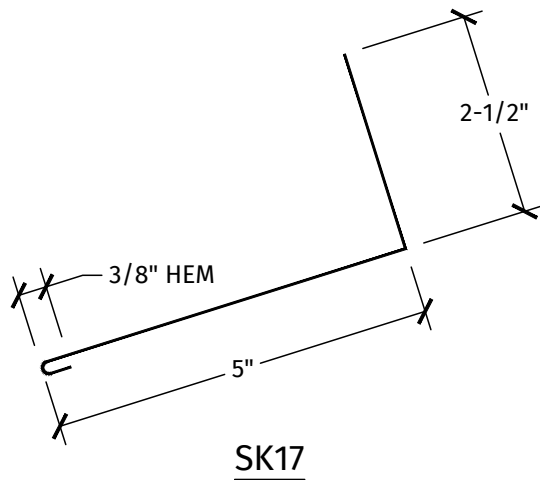
1 – Skylight Flashing (Side)



2 – Skylight Flashing (Uphill)



3 – Skylight Flashing (Downhill)

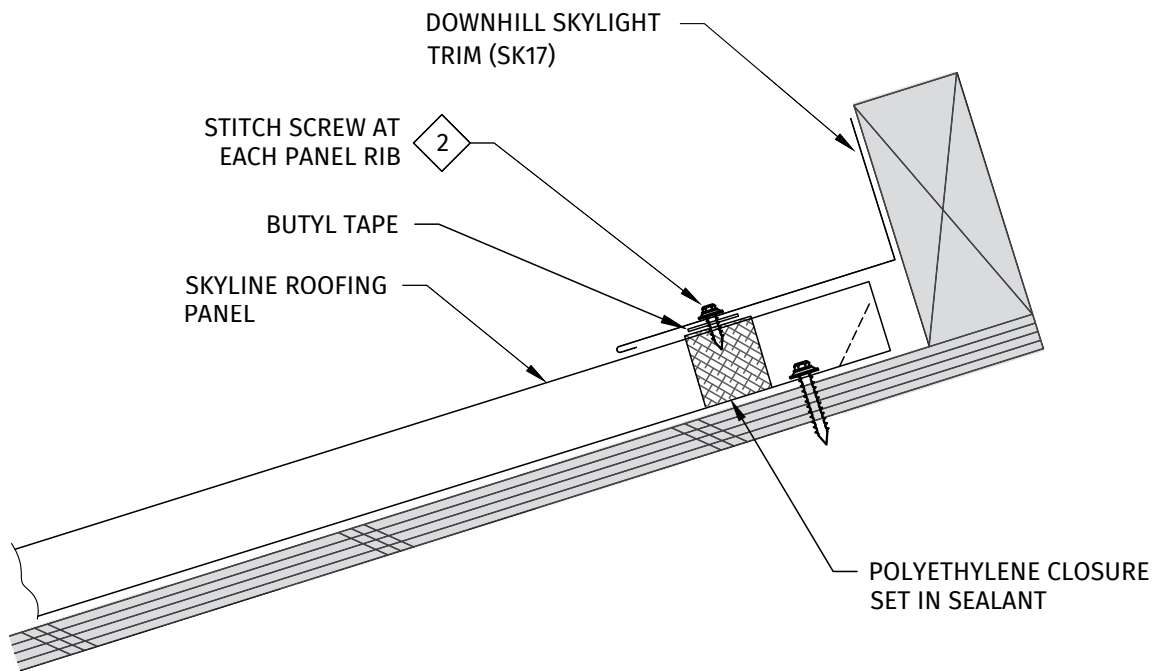


STITCH SCREW INTO METAL CLOSURE AT OR ADJACENT TO EACH RIB

BUTYL TAPE

METAL CLOSURE (#CLMSKY) SET IN POLYURETHANE SEALANT; SEAL ENDS OF CLOSURE AGAINST PANEL RIBS.

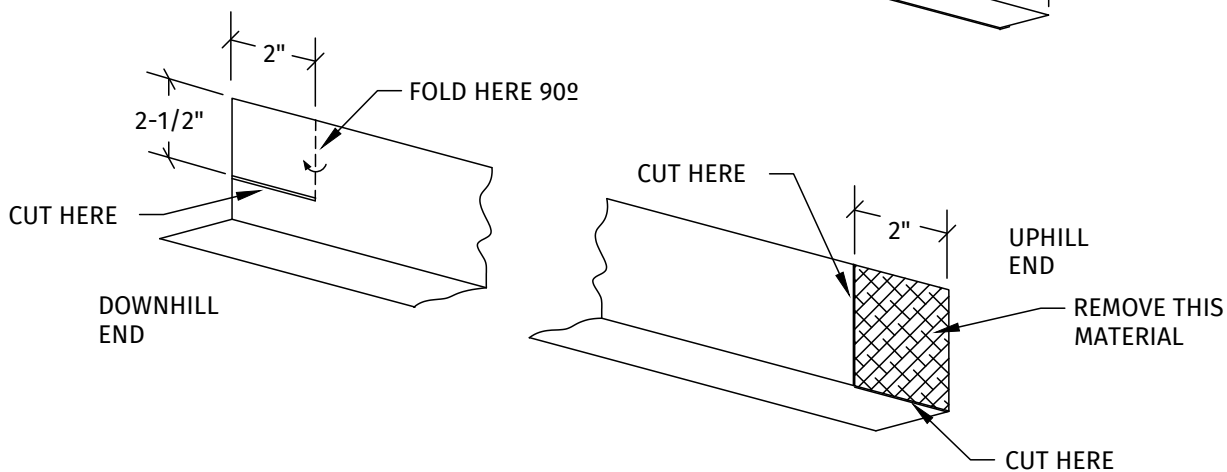
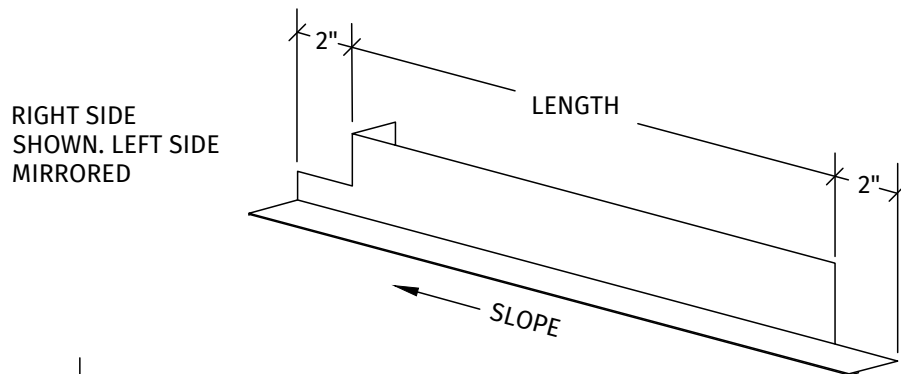
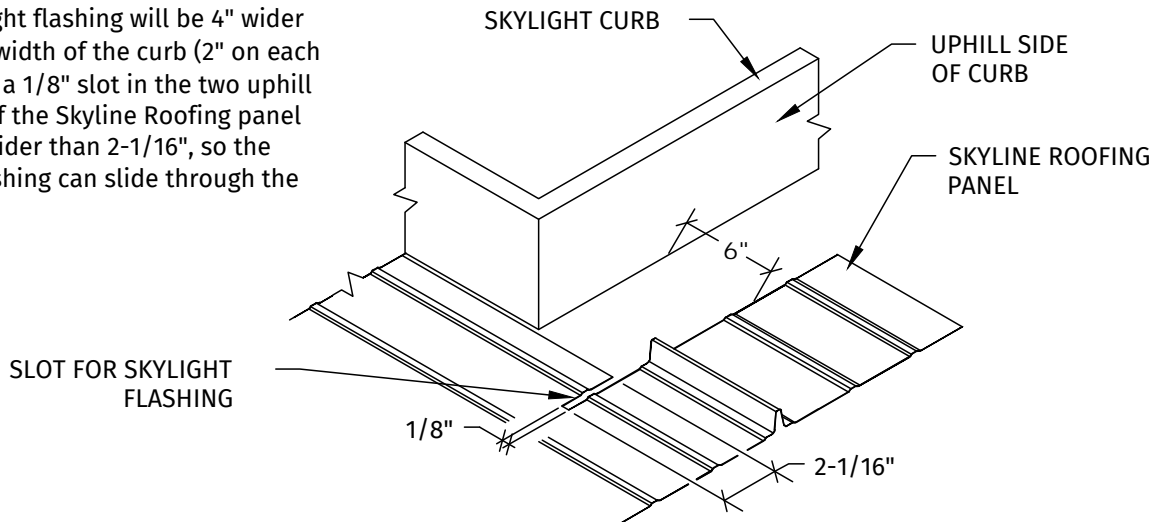
ALTERNATE PANEL CLOSURE CONSTRUCTION



FLOATING EAVE DETAILS

Procedure for the Installation of Skylight Flashings

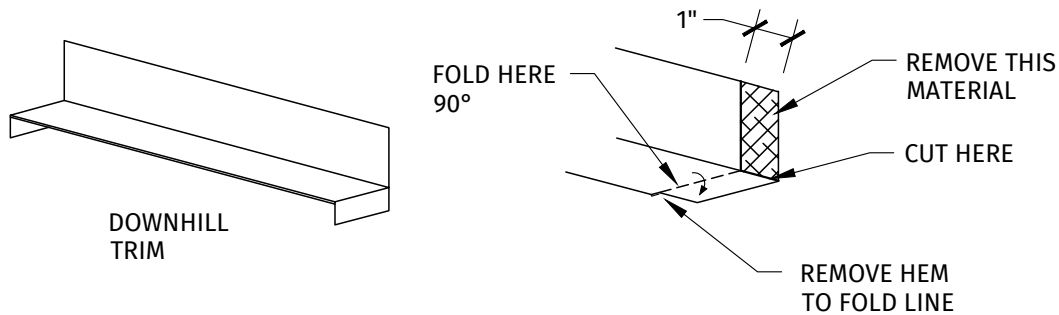
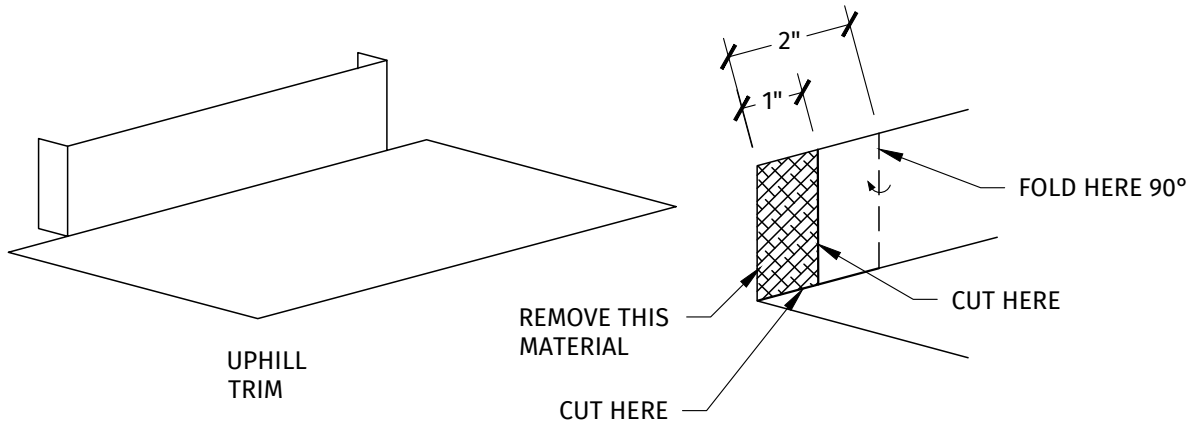
The skylight flashing will be 4" wider than the width of the curb (2" on each side). Cut a 1/8" slot in the two uphill corners of the Skyline Roofing panel slightly wider than 2-1/16", so the uphill flashing can slide through the two slots.



Procedure:

- Trim and bend the right side skylight flashing as indicated. Trim the left side in a similar fashion.

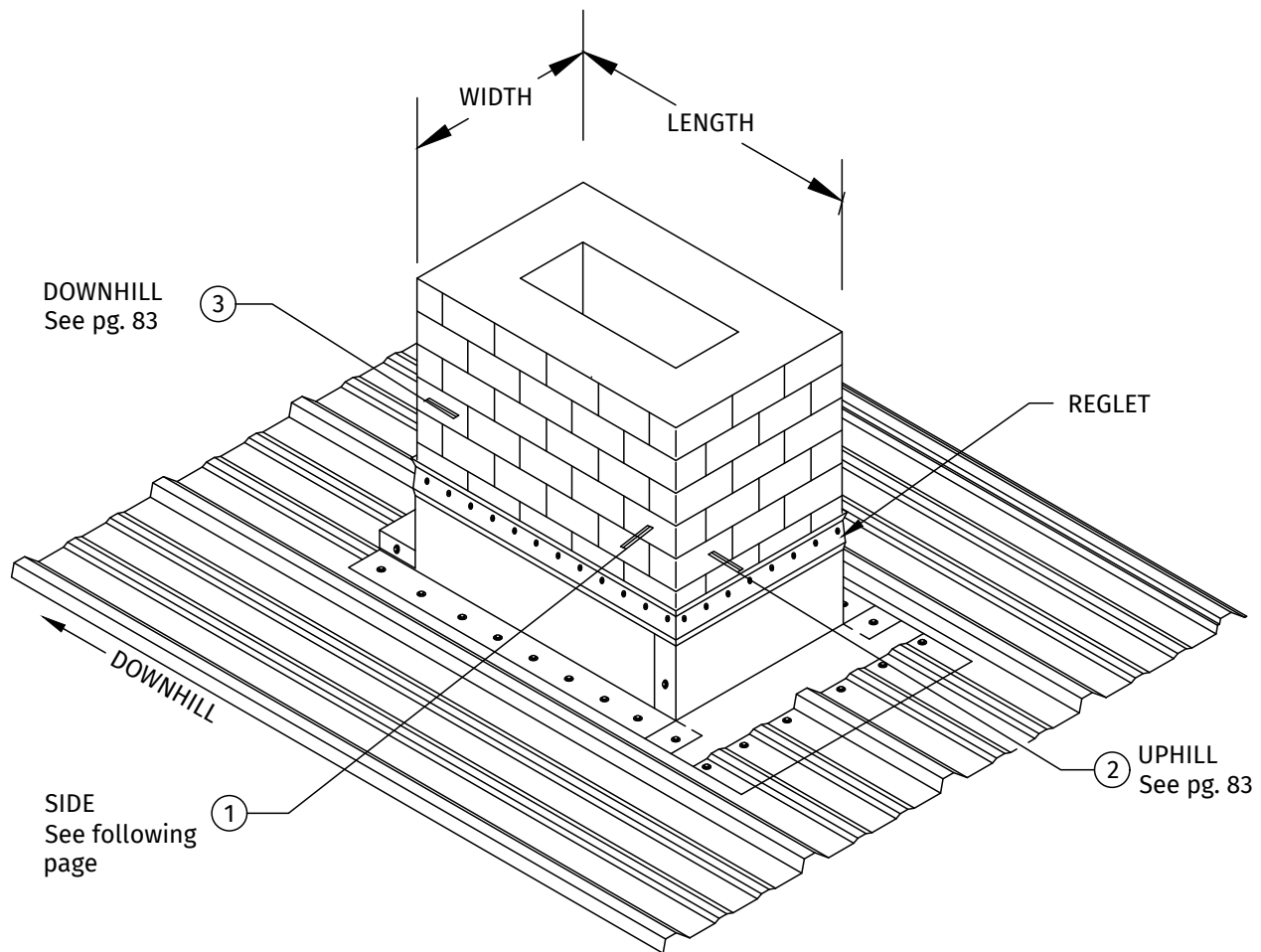
Skyline Roofing®
 Installation, Trims, Flashings, & Details Guide
Skylight Flashing Preparation



Procedure:

- Trim both ends of the uphill and downhill sides of the skylight flashing as indicated.
- Slide the uphill flashing into the slots of the Skyline Roofing and apply liberal amount of gunnable caulking.
- Assemble the skylight as indicated on previous pages.

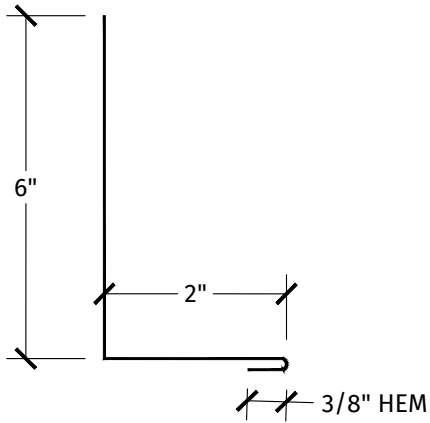
Chimney Flashing



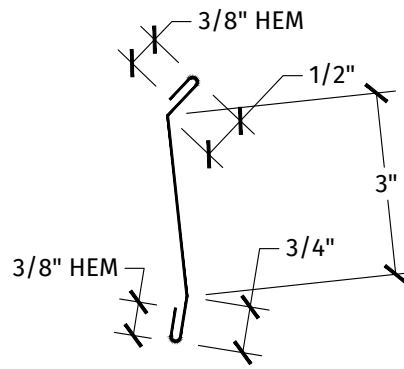
Note: Procedure for the installation of chimney flashings is similar to the skylights. The reglet "RG16" shown may be deleted if the chimney is clad with siding. (Lap the siding over the flashing and caulk). Be sure to specify the slope and the orientation of the chimney dimensions when ordering this assembly.

** A reglet is a flashing found on the side of a wall, chimney or other similar roof penetration.

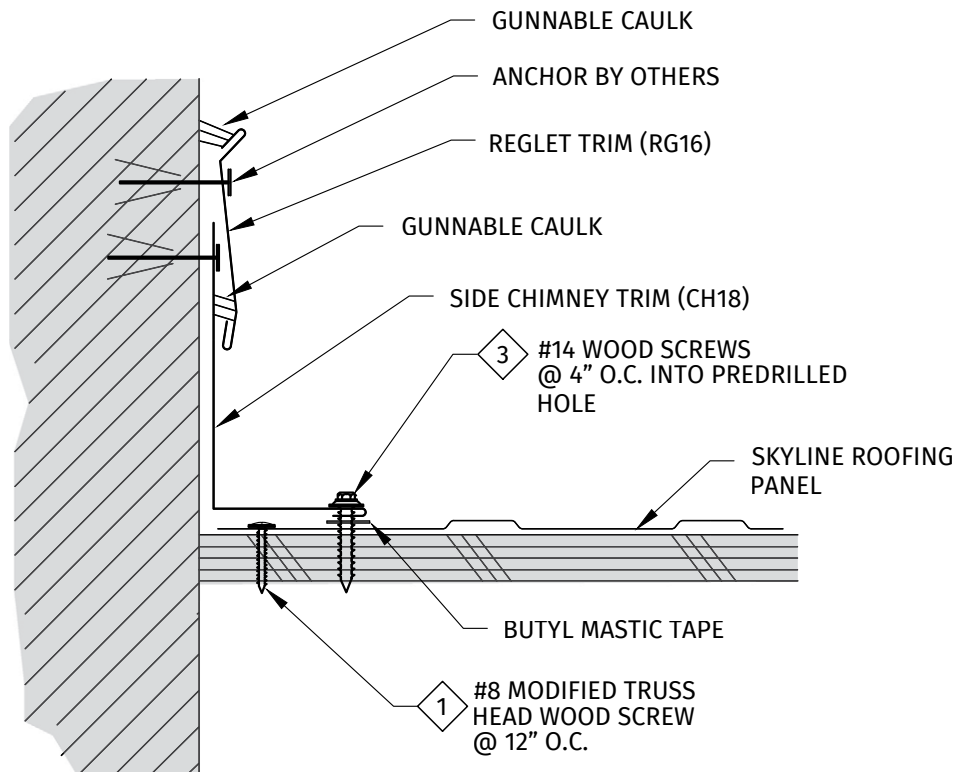
1 – Chimney Flashing (Side)



CH18
 Side Flashing

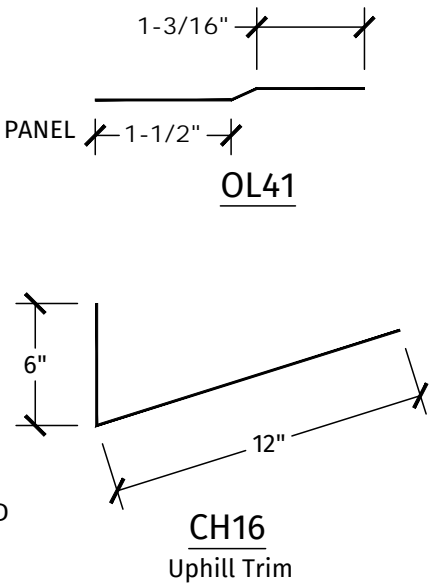
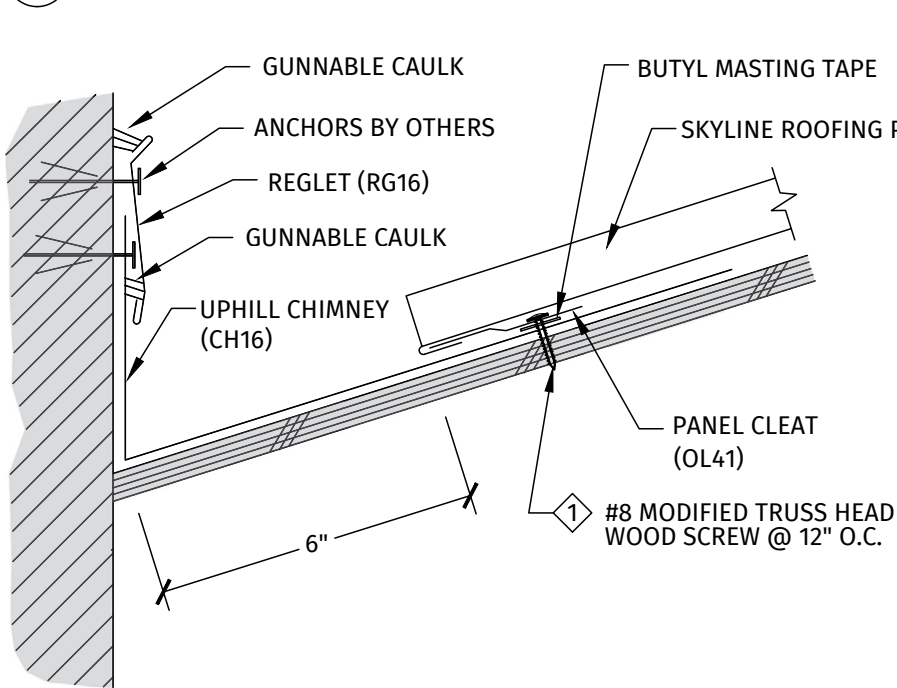


RG16
 Reglet Flashing

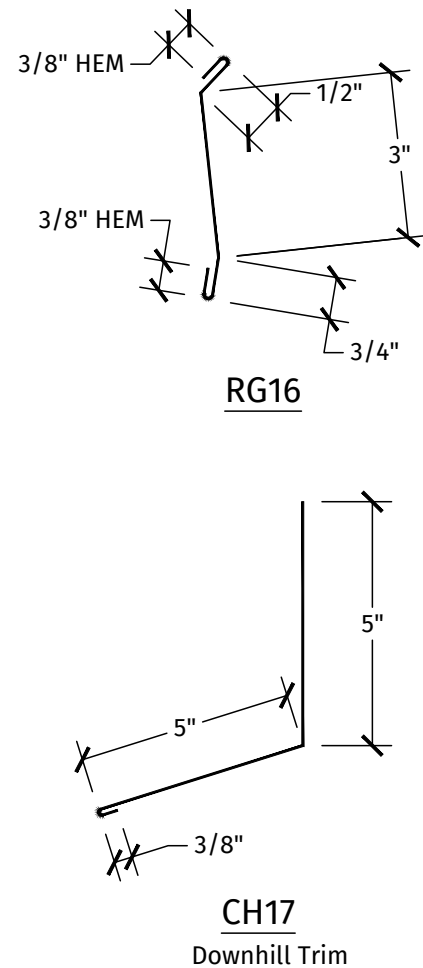
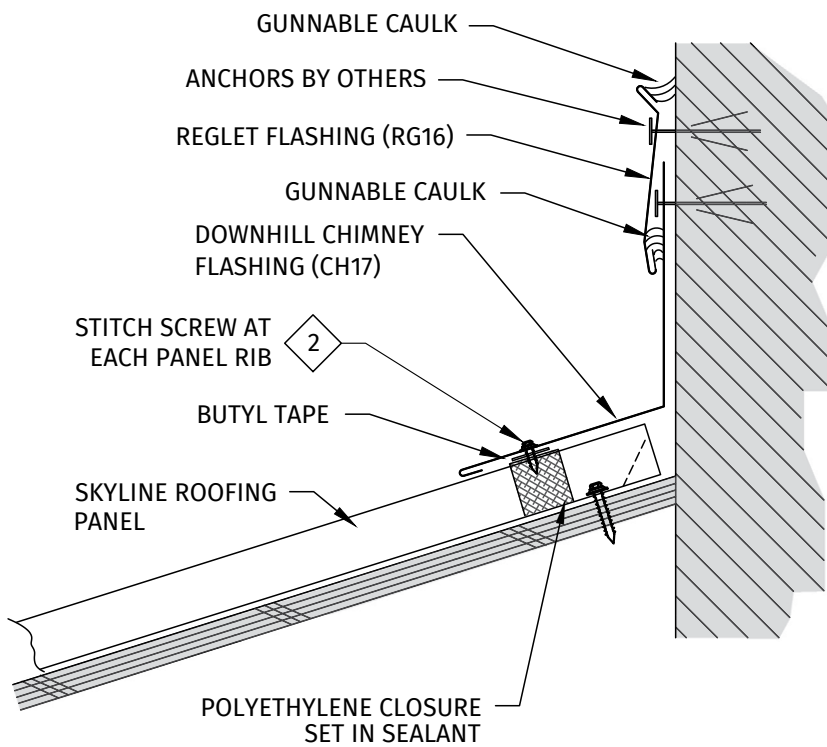


FLOATING EAVE DETAILS

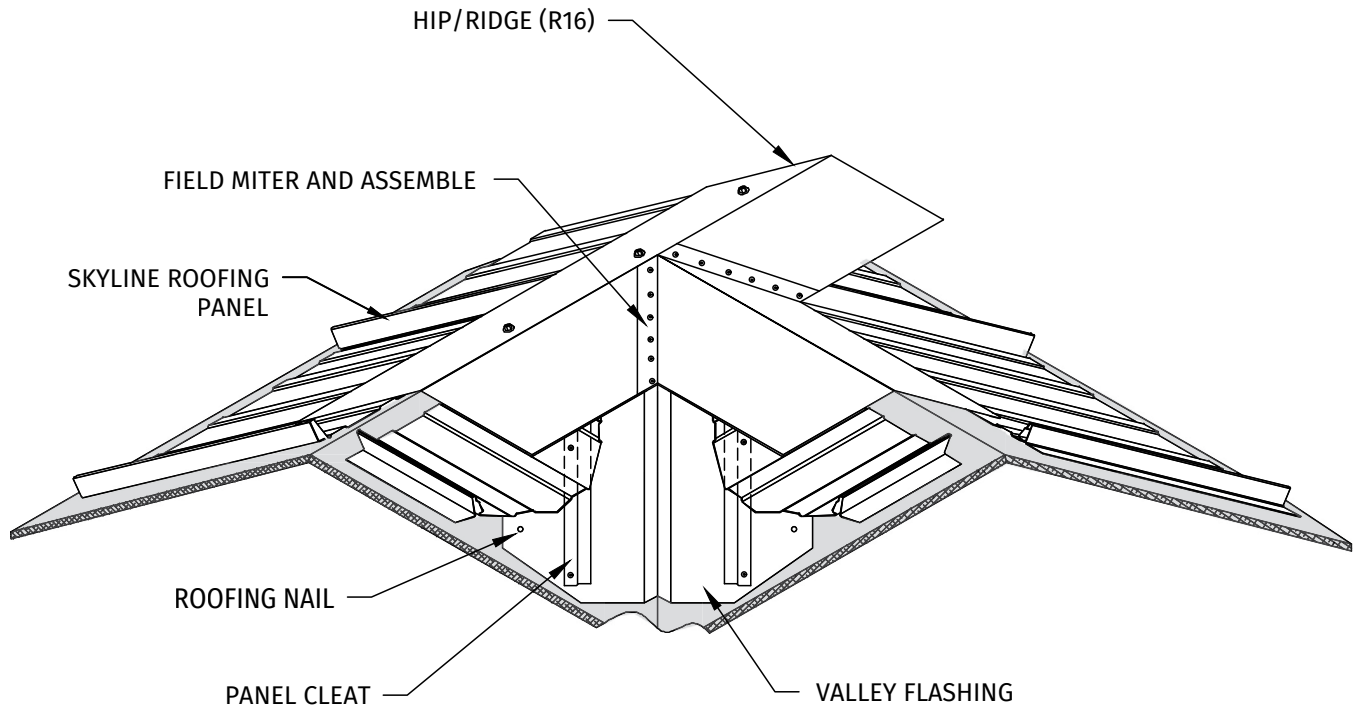
2 – Chimney Flashing (Uphill)



3 – Chimney Flashing (Downhill)



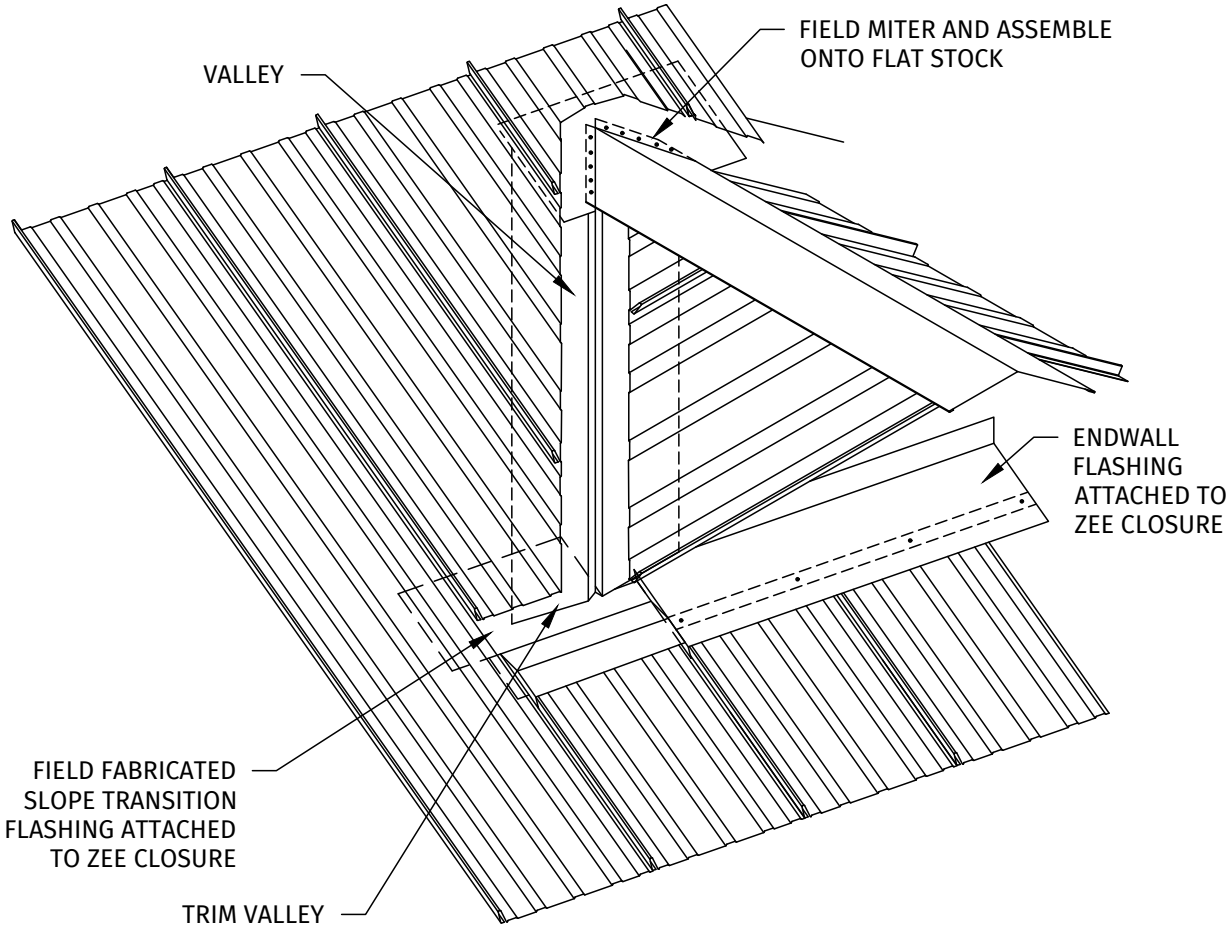
Skyline Roofing®
Installation, Trims, Flashings, & Details Guide
Valley Top End



Note: Foam or metal closures and caulking are required between the intersecting ridge cap and the valley flashing to provide adequate weathertightness.

FLOATING EAVE DETAILS

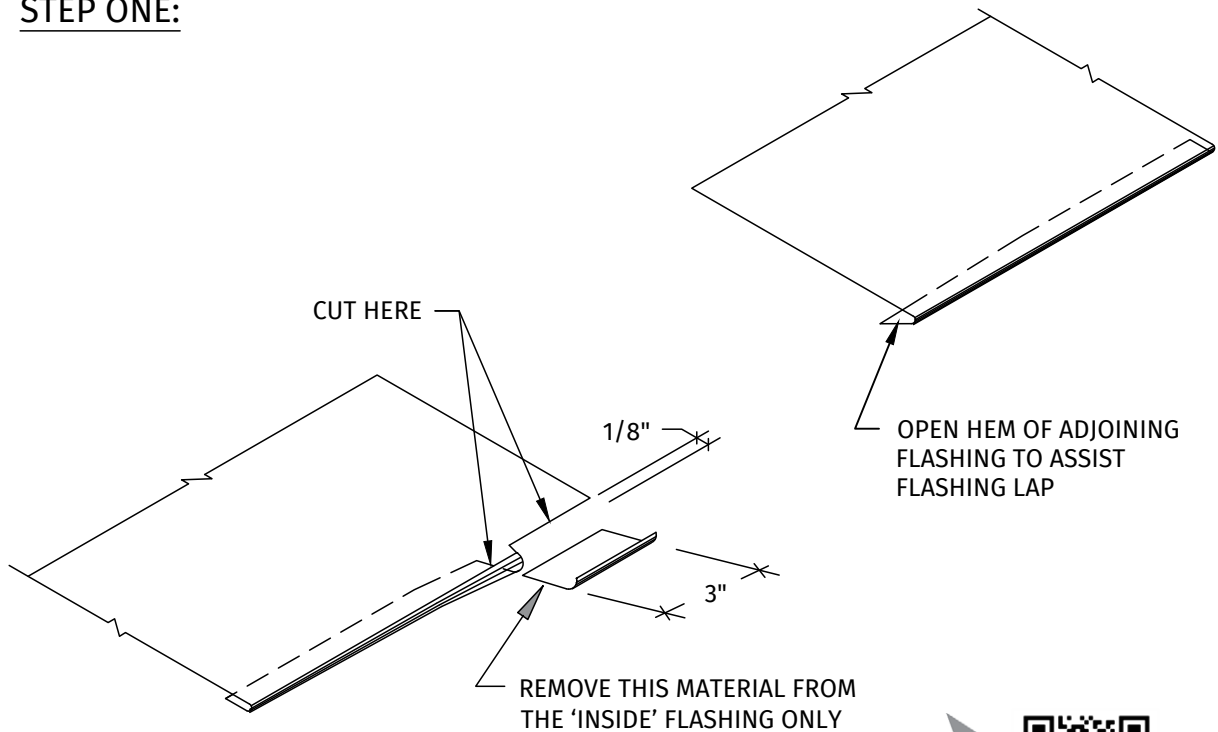
Valley Dormer



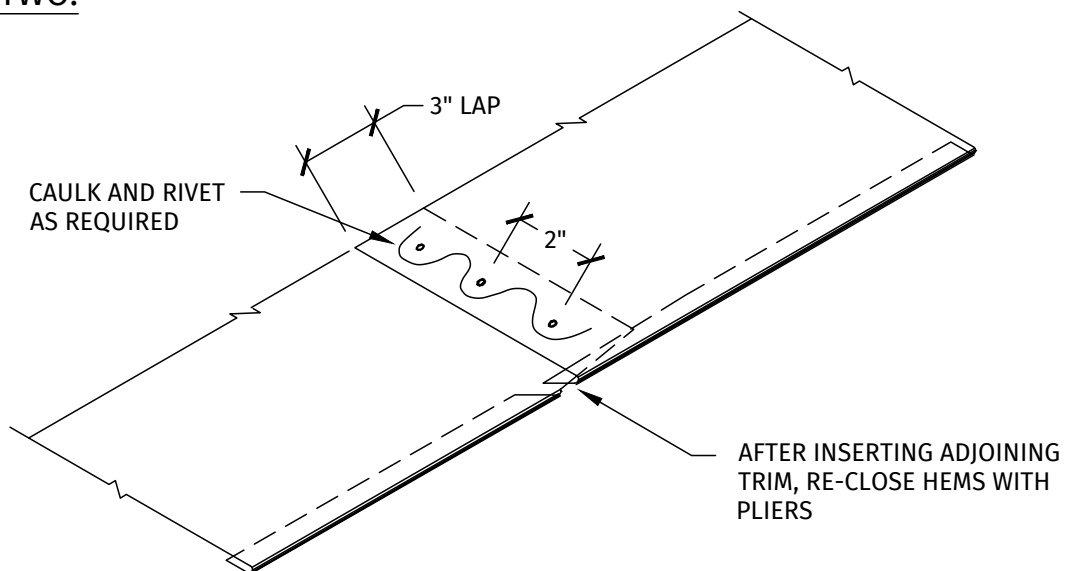
Appendix

Typical Flashing Lap

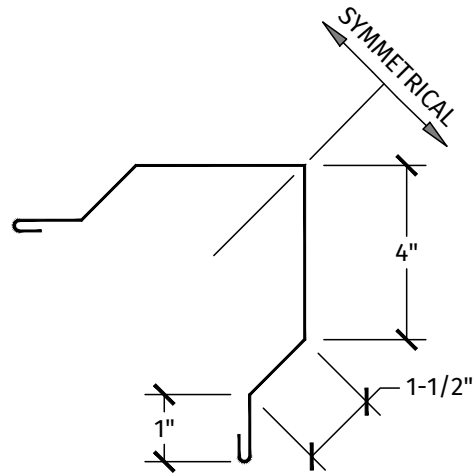
STEP ONE:



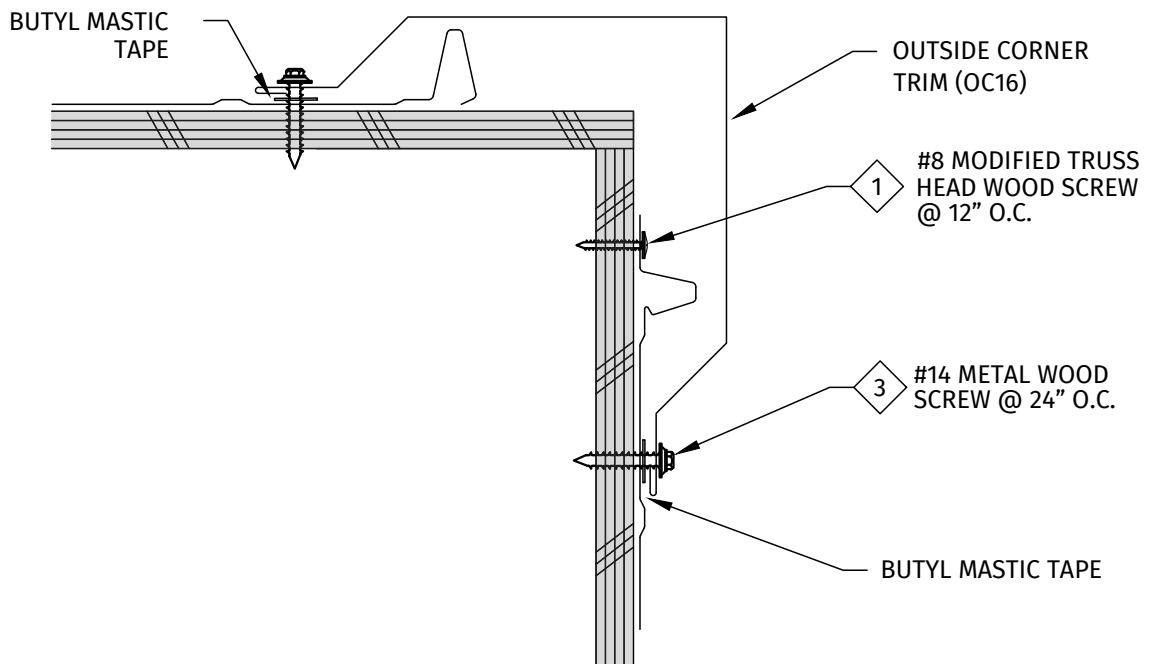
STEP TWO:



Outside Corner Flashing



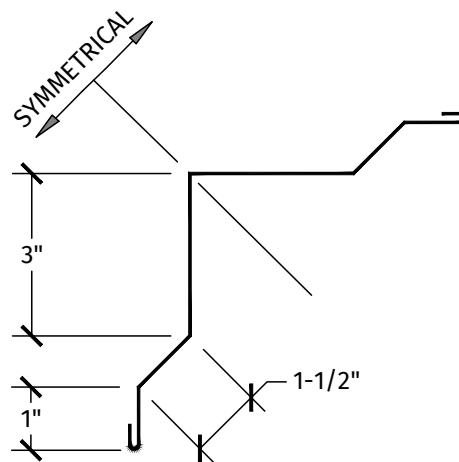
OC16



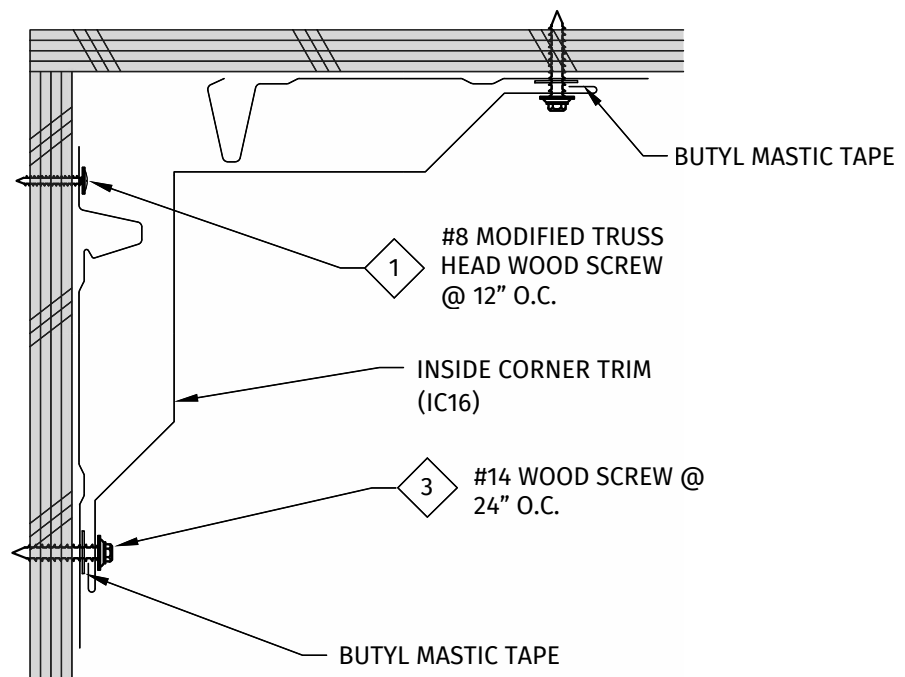
Procedure:

- Begin with the bottom-most flashing. Caulk and lap the next flashing a minimum of 3", joining the hem (see previous page).
- Attach the outside corner "OC16" with #14 wood screws at 24" O.C.

Inside Corner Flashing



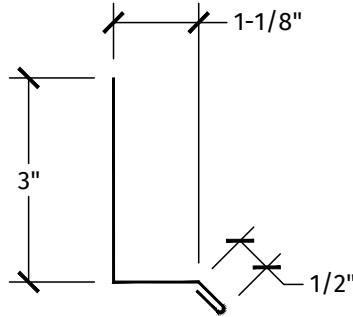
IC16



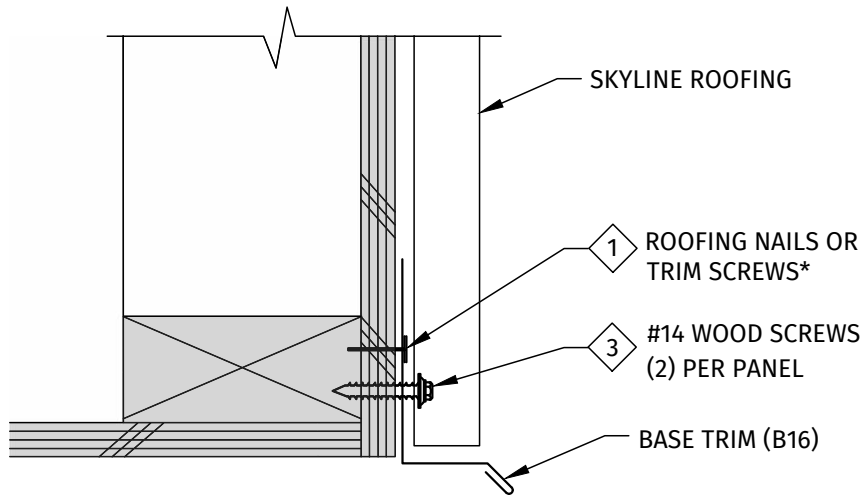
Procedure:

- Begin with the bottom most flashing. Caulk and lap the next flashing a minimum of 3" joining the hem (see pg. 87).
- Attach the outside corner "IC16" with #14 wood screw at 24" O.C.

Base Trim at Drip/Head Flashing



B16

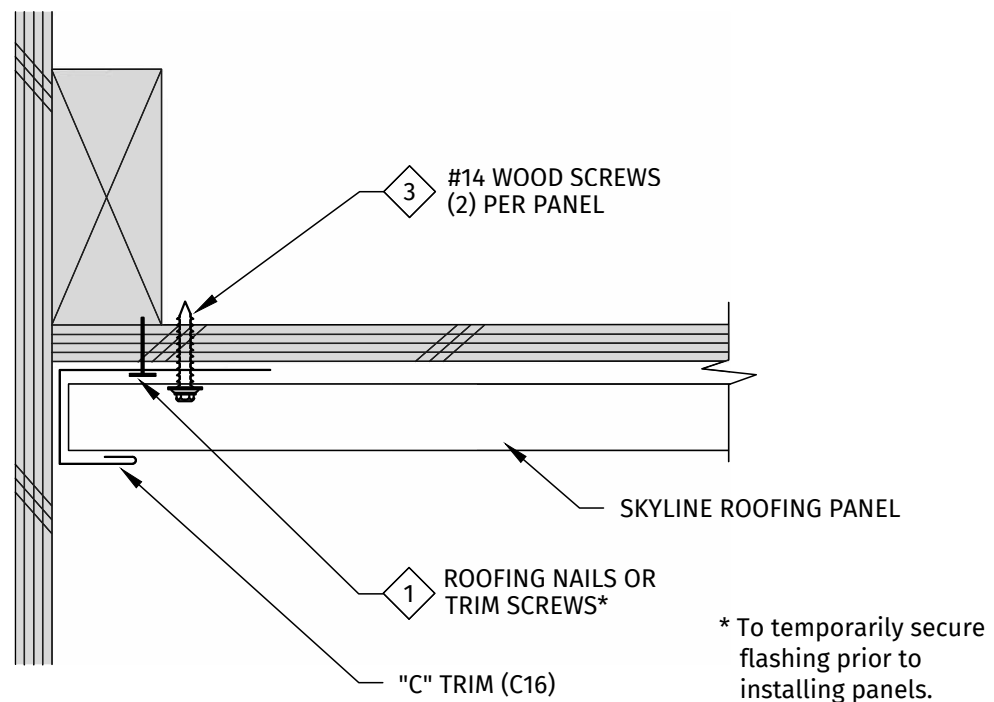
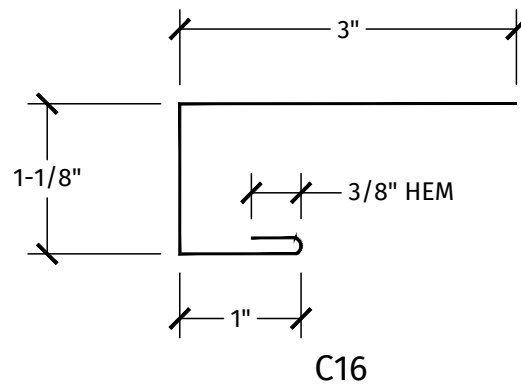


* To temporarily secure flashing prior to installing panels.

Procedure:

- Attach the base trim “B16” prior to the installation of the panels.

"C" Trim Flashing/Soffit



Procedure:

- Attach the "C" Trim "C16" prior to the installation of the soffit panels.

BLANK

BLANK

Manufacturing Facilities:

West Sacramento, California
2110 Enterprise Boulevard
West Sacramento, CA 95691

Salem, Oregon
4063 Salem Industrial Drive NE
Salem, OR 97303
Customer Service Center
800-272-7023 • 503-390-7174

Spokane, Washington
4111 East Ferry Avenue
Spokane, WA 99202
Customer Service Center
800-776-8771 • 509-536-4097

Corporate Headquarters:

ASC Profiles
2110 Enterprise Boulevard
West Sacramento, CA 95691

Visit us at our website:
www.ascbp.com



All information stated in the catalog is correct at time of printing and subject to change without notice, check our website for the latest version.

©2026 ASC Profiles LLC. All rights reserved. ZINCALUME® is a registered trademark of BlueScope Steel Ltd.

Printed in the USA. 0626 web BR108